



Chipsmall Limited consists of a professional team with an average of over 10 year of expertise in the distribution of electronic components. Based in Hongkong, we have already established firm and mutual-benefit business relationships with customers from,Europe,America and south Asia,supplying obsolete and hard-to-find components to meet their specific needs.

With the principle of "Quality Parts,Customers Priority,Honest Operation,and Considerate Service",our business mainly focus on the distribution of electronic components. Line cards we deal with include Microchip,ALPS,ROHM,Xilinx,Pulse,ON,Everlight and Freescale. Main products comprise IC,Modules,Potentiometer,IC Socket,Relay,Connector.Our parts cover such applications as commercial,industrial, and automotives areas.

We are looking forward to setting up business relationship with you and hope to provide you with the best service and solution. Let us make a better world for our industry!



## Contact us

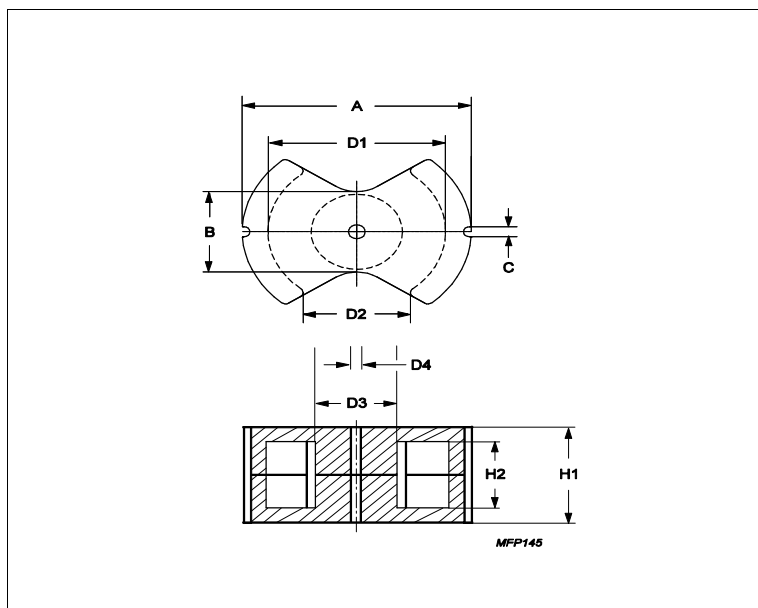
Tel: +86-755-8981 8866 Fax: +86-755-8427 6832

Email & Skype: info@chipsmall.com Web: www.chipsmall.com

Address: A1208, Overseas Decoration Building, #122 Zhenhua RD., Futian, Shenzhen, China



## Core **PM74/59**



Effective parameters				
	Parameter	Value	Unit	
	$\Sigma(I/A)$	core factor (C1)	0.162	mm <sup>-1</sup>
	<b>Ve</b>	effective volume	101000	mm <sup>3</sup>
	<b>Le</b>	effective length	128	mm
	<b>Ae</b>	effective area	790	mm <sup>2</sup>
	<b>Amin</b>	minimum area	630	mm <sup>2</sup>
	<b>m</b>	PM74/59	≈ 460	g/set

Dimensions for product: PM74/59

	Nom	Tol +	Tol -	Max	Min	Unit
<b>A</b>	74.00	0.00	2.50	74.00	71.50	mm
<b>B</b>				32.40		mm
<b>C</b>	4.00	0.40	0.00	4.40	4.00	mm
<b>D1</b>	57.50	1.80	0.00	59.30	57.50	mm
<b>D2</b>					34.00	mm
<b>D3</b>	29.50	0.00	1.00	29.50	28.50	mm
<b>D4</b>	5.40	0.30	0.00	5.70	5.40	mm
<b>H1</b>	59.00	0.00	0.60	59.00	58.40	mm
<b>H2</b>	40.70	0.80	0.00	41.50	40.70	mm

Inductance factor

Material	Value	Tol +	Tol -	Unit
3C94	14000	25%	25%	nH/turns <sup>2</sup>

Power loss: 3C94

Measuring conditions			Max	Unit
100 kHz	200 mT	100 °C	62.000	W/set

Bsat

Measuring conditions			Material	Min	Unit
25 kHz	250 A/m	100 °C	3C94	320	mT