



Chipsmall Limited consists of a professional team with an average of over 10 year of expertise in the distribution of electronic components. Based in Hongkong, we have already established firm and mutual-benefit business relationships with customers from,Europe,America and south Asia,supplying obsolete and hard-to-find components to meet their specific needs.

With the principle of “Quality Parts,Customers Priority,Honest Operation,and Considerate Service”,our business mainly focus on the distribution of electronic components. Line cards we deal with include Microchip,ALPS,ROHM,Xilinx,Pulse,ON,Everlight and Freescale. Main products comprise IC,Modules,Potentiometer,IC Socket,Relay,Connector.Our parts cover such applications as commercial,industrial, and automotives areas.

We are looking forward to setting up business relationship with you and hope to provide you with the best service and solution. Let us make a better world for our industry!



Contact us

Tel: +86-755-8981 8866 Fax: +86-755-8427 6832

Email & Skype: info@chipsmall.com Web: www.chipsmall.com

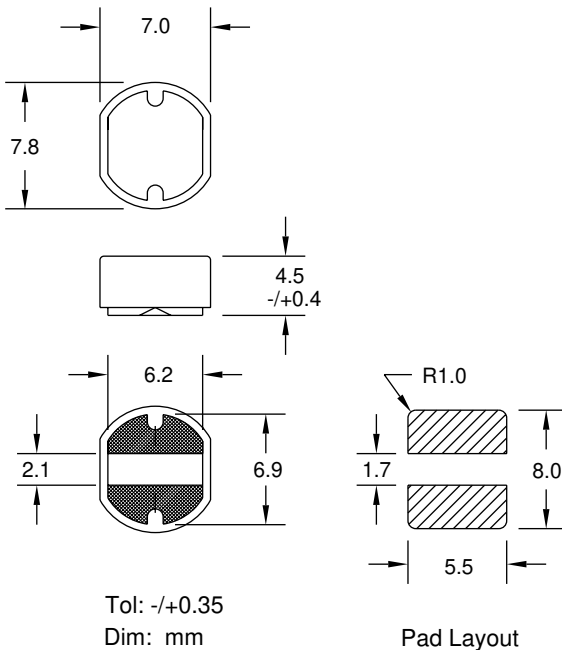
Address: A1208, Overseas Decoration Building, #122 Zhenhua RD., Futian, Shenzhen, China



Shielded, SMT Power Inductors

Special Features

- Magnetic shielded for low radiation
- Ferrite bobbin core
- Low core loss for high frequency power application
- Compact size
- Large terminal surface for good PCB bonding
- Operating temperature -30 to +100°C
- Current to cause maximum 10% of inductance drop, or 40°C temperature rise
- Tape & reel packaged 1000/reel



PM74S Series					
Part Number	L (uH) +25 / -15%	Test Freq.	SRF (MHz) Typ.	DCR (Ω) Max.	I, DC (A)
PM74S-100N	10	2.52 MHz	26	0.07	1.65
PM74S-120N	12	2.52 MHz	25	0.07	1.57
PM74S-150N	15	2.52 MHz	20	0.08	1.39
PM74S-180N	18	2.52 MHz	19	0.10	1.29
PM74S-220N	22	2.52 MHz	18	0.13	1.12
PM74S-270N	27	2.52 MHz	16	0.16	1.06
PM74S-330N	33	2.52 MHz	15	0.18	0.97
PM74S-390N	39	2.52 MHz	14	0.18	0.91
PM74S-470N	47	2.52 MHz	12	0.27	0.80
PM74S-560N	56	2.52 MHz	12	0.29	0.76
PM74S-680N	68	2.52 MHz	10	0.33	0.68
PM74S-820N	82	2.52 MHz	9	0.43	0.62
+20 / -15%					
PM74S-101M	100	1 KHz	8	0.49	0.55
PM74S-121M	120	1 KHz	7	0.68	0.49
PM74S-151M	150	1 KHz	6	0.94	0.44
PM74S-181M	180	1 KHz	6	1.00	0.40
PM74S-221M	220	1 KHz	5	1.18	0.36
PM74S-271M	270	1 KHz	5	1.30	0.33

J.W. Miller
MAGNETICS

306 E. Alondra Blvd., Gardena, CA 90247-1059 • (310) 515-1720 • FAX (310) 515-1962

www.jwmiller.com