



Chipsmall Limited consists of a professional team with an average of over 10 year of expertise in the distribution of electronic components. Based in Hongkong, we have already established firm and mutual-benefit business relationships with customers from,Europe,America and south Asia,supplying obsolete and hard-to-find components to meet their specific needs.

With the principle of "Quality Parts,Customers Priority,Honest Operation,and Considerate Service",our business mainly focus on the distribution of electronic components. Line cards we deal with include Microchip,ALPS,ROHM,Xilinx,Pulse,ON,Everlight and Freescale. Main products comprise IC,Modules,Potentiometer,IC Socket,Relay,Connector.Our parts cover such applications as commercial,industrial, and automotives areas.

We are looking forward to setting up business relationship with you and hope to provide you with the best service and solution. Let us make a better world for our industry!



## Contact us

Tel: +86-755-8981 8866 Fax: +86-755-8427 6832

Email & Skype: info@chipsmall.com Web: www.chipsmall.com

Address: A1208, Overseas Decoration Building, #122 Zhenhua RD., Futian, Shenzhen, China





# SmartLEWIS™ MCU

Smart Low Energy Wireless Systems with a Microcontroller Unit

## PMA71xx

RF Transmitter ASK/FSK 315/434/868/915 MHz,  
Embedded 8051 Microcontroller,  
10-bit ADC,  
125 kHz ASK LF Receiver

PMA7110	Version 1.0
PMA7107	Version 1.0
PMA7106	Version 1.0
PMA7105	Version 1.0

## Data Sheet

Revision 2.1, 2010-06-02

**Edition 2010-06-02**

**Published by  
Infineon Technologies AG  
81726 Munich, Germany**

**© 2010 Infineon Technologies AG  
All Rights Reserved.**

### **Legal Disclaimer**

The information given in this document shall in no event be regarded as a guarantee of conditions or characteristics. With respect to any examples or hints given herein, any typical values stated herein and/or any information regarding the application of the device, Infineon Technologies hereby disclaims any and all warranties and liabilities of any kind, including without limitation, warranties of non-infringement of intellectual property rights of any third party.

### **Information**

For further information on technology, delivery terms and conditions and prices, please contact the nearest Infineon Technologies Office ([www.infineon.com](http://www.infineon.com)).

### **Warnings**

Due to technical requirements, components may contain dangerous substances. For information on the types in question, please contact the nearest Infineon Technologies Office.

Infineon Technologies components may be used in life-support devices or systems only with the express written approval of Infineon Technologies, if a failure of such components can reasonably be expected to cause the failure of that life-support device or system or to affect the safety or effectiveness of that device or system. Life support devices or systems are intended to be implanted in the human body or to support and/or maintain and sustain and/or protect human life. If they fail, it is reasonable to assume that the health of the user or other persons may be endangered.

**PMA71xx RF Transmitter ASK/FSK 315/434/868/915 MHz,  
 Embedded 8051 Microcontroller,  
 10-bit ADC,  
 125 kHz ASK LF Receiver**

**Revision History: 2010-06-02, Revision 2.1**

**Previous Revision: 2.0**

Page	Subjects (major changes since last revision)
86, 101	Added note to use Library function LFSensitivityCalibration() for LF Carrier Detector Threshold Level Selection.

**Trademarks of Infineon Technologies AG**

A-GOLD™, BlueMoon™, COMNEON™, CONVERGATE™, COSIC™, C166™, CROSSAVE™, CanPAK™, CIPOS™, CoolMOS™, CoolSET™, CONVERPATH™, CORECONTROL™, DAVE™, DUALFALC™, DUSLIC™, EasyPIM™, EconoBRIDGE™, EconoDUAL™, EconoPACK™, EconoPIM™, E-GOLD™, EiceDRIVER™, EUPEC™, ELIC™, EPIC™, FALC™, FCOS™, FLEXISLIC™, GEMINAX™, GOLDMOS™, HITFET™, HybridPACK™, INCA™, ISAC™, ISOFACE™, IsoPACK™, IWORX™, M-GOLD™, MIPAQ™, ModSTACK™, MUSLIC™, my-d™, NovalithIC™, OCTALFALC™, OCTAT™, OmniTune™, OmniVia™, OptiMOS™, OPTIVERSE™, ORIGA™, PROFET™, PRO-SIL™, PrimePACK™, QUADFALC™, RASIC™, ReverSave™, SatRIC™, SCEPTRE™, SCOUT™, S-GOLD™, SensoNor™, SEROCCO™, SICOFI™, SIEGET™, SINDRION™, SLIC™, SMARTi™, SmartLEWIS™, SMINT™, SOCRATES™, TEMPFET™, thinQ!™, TrueENTRY™, TriCore™, TRENCHSTOP™, VINAX™, VINETIC™, VIONTIC™, WildPass™, X-GOLD™, XMM™, X-PMU™, XPOSYS™, XWAY™.

**Other Trademarks**

AMBA™, ARM™, MULTI-ICE™, PRIMECELL™, REALVIEW™, THUMB™ of ARM Limited, UK. AUTOSAR™ is licensed by AUTOSAR development partnership. Bluetooth™ of Bluetooth SIG Inc. CAT-iq™ of DECT Forum. COLOSSUS™, FirstGPS™ of Trimble Navigation Ltd. EMV™ of EMVCo, LLC (Visa Holdings Inc.). EPCOS™ of Epcos AG. FLEXGO™ of Microsoft Corporation. FlexRay™ is licensed by FlexRay Consortium. HYPERTERMINAL™ of Hilgraeve Incorporated. IEC™ of Commission Electrotechnique Internationale. IrDA™ of Infrared Data Association Corporation. ISO™ of INTERNATIONAL ORGANIZATION FOR STANDARDIZATION. MATLAB™ of MathWorks, Inc. MAXIM™ of Maxim Integrated Products, Inc. MICROTEC™, NUCLEUS™ of Mentor Graphics Corporation. Mifare™ of NXP. MIPI™ of MIPI Alliance, Inc. MIPS™ of MIPS Technologies, Inc., USA. muRata™ of MURATA MANUFACTURING CO. OmniVision™ of OmniVision Technologies, Inc. Openwave™ Openwave Systems Inc. RED HAT™ Red Hat, Inc. RFMD™ RF Micro Devices, Inc. SIRIUS™ of Sirius Sattelite Radio Inc. SOLARIS™ of Sun Microsystems, Inc. SPANSION™ of Spansion LLC Ltd. Symbian™ of Symbian Software Limited. TAIYO YUDEN™ of Taiyo Yuden Co. TEAKLITE™ of CEVA, Inc. TEKTRONIX™ of Tektronix Inc. TOKO™ of TOKO KABUSHIKI KAISHA TA. UNIX™ of X/Open Company Limited. VERILOG™, PALLADIUM™ of Cadence Design Systems, Inc. VLYNQ™ of Texas Instruments Incorporated. VXWORKS™, WIND RIVER™ of WIND RIVER SYSTEMS, INC. ZETEX™ of Diodes Zetex Limited.

Last Trademarks Update 2009-10-19

## Table of Contents

	<b>Table of Contents</b> .....	4
	<b>List of Figures</b> .....	9
	<b>List of Tables</b> .....	11
<b>1</b>	<b>Product Description</b> .....	13
1.1	Overview .....	13
1.2	PMAx1xx Product Family .....	14
1.3	Applications .....	14
1.4	Key Features .....	14
1.5	Pin Diagram .....	16
1.6	Pin Description .....	17
1.7	Functional Block Diagram .....	28
<b>2</b>	<b>Functional Description</b> .....	29
2.1	Operating Modes and States .....	29
2.1.1	Operating Mode Selection .....	29
2.1.2	State Description .....	32
2.1.2.1	INIT state .....	32
2.1.2.2	RUN state .....	32
2.1.2.3	IDLE state .....	32
2.1.2.4	POWER DOWN state (PDWN) .....	33
2.1.2.5	State Transitions .....	33
2.1.2.6	Status of PMA7110 Blocks in Different States .....	34
2.2	System Controller .....	35
2.2.1	Wake-up Logic .....	35
2.2.1.1	Register Description .....	37
2.2.2	Interval Timer .....	42
2.2.3	Register Description .....	43
2.3	System Configuration Registers .....	45
2.3.1	Register Description .....	45
2.4	Fault Protection .....	50
2.4.1	Watchdog Timer .....	50
2.4.2	Vmin Detector .....	50
2.4.2.1	Register Description .....	50
2.4.3	Brownout Detector .....	51
2.4.4	FLASH Memory Checksum .....	51
2.4.5	ADC Measurement Overflow and Underflow .....	51
2.5	Clock Controller .....	52
2.5.1	Internal Clock Divider .....	52
2.5.2	2 kHz RC LP Oscillator (Low Power) .....	52
2.5.3	12 MHz RC HF Oscillator (High Frequency) .....	53
2.5.4	Crystal Oscillator .....	53
2.5.5	Register Description .....	54
2.6	Memory Organization .....	57
2.6.1	ROM .....	58
2.6.2	FLASH .....	58
2.6.2.1	FLASH Organization .....	58
2.6.2.2	FLASH Protection .....	58
2.6.2.3	Register Description .....	59

Table of Contents

2.6.3	RAM	60
2.6.4	Code Memory mapped SFRs	60
2.6.4.1	Register Description	60
2.6.5	Battery buffered data RAM	61
2.6.6	Special Function Registers	61
2.7	Microcontroller	65
2.7.1	Register Description	65
2.8	Interrupt Sources	67
2.8.1	External Interrupts 0 and 1	67
2.8.2	Timer Interrupts	68
2.8.3	I <sup>2</sup> C Interface Interrupts	68
2.8.4	SPI Interface Interrupts	68
2.8.5	LF Receiver Interrupts	68
2.8.6	RF Encoder Interrupts	68
2.8.7	Register Description	69
2.9	RF Transmitter	72
2.9.1	Phase-Locked Loop (PLL)	72
2.9.2	Voltage-Controlled Oscillator (VCO)	73
2.9.3	Power Amplifier (PA)	73
2.9.4	ASK Modulator	73
2.9.5	Manchester/BiPhase Encoder with Bit Rate Generator	74
2.9.6	Register Description	76
2.10	LF Receiver	84
2.10.1	LF Receiver Analog Front End Configuration	84
2.10.1.1	Attenuator (AGC) and Data Filter / Data Slicer	85
2.10.1.2	LF Carrier Detector	85
2.10.1.2.1	Carrier Detector Threshold Calibration	86
2.10.1.2.2	Carrier Detector Filtering	87
2.10.2	LF Receiver On/Off Timer	88
2.10.2.1	LF Receiver On/Off Timer Calibration	88
2.10.3	LF Receiver Baseband Processor	90
2.10.3.1	Synchronizer	90
2.10.3.2	Bit rate Generator	91
2.10.3.3	LF Data Decoder	91
2.10.3.4	Wake-up Pattern Detector	91
2.10.3.5	LF Receiver Data Interface	91
2.10.3.5.1	8 bit data byte	92
2.10.3.5.2	Serial bit stream data	92
2.10.3.5.3	RAW data	92
2.10.3.5.4	RAW Carrier Detect	92
2.10.4	Register Description	93
2.11	Sensor Interfaces and Data Acquisition	108
2.11.1	Sensor Interface	108
2.11.1.1	Two Differential Highly Sensitive Interfaces to External Sensors	109
2.11.1.2	Interface to Other Signals	110
2.11.1.3	Reference Voltages	111
2.11.2	Temperature Sensor	111
2.11.3	Battery Voltage Monitor	111
2.11.4	Analog to Digital Converter (ADC)	112
2.11.4.1	ADC Timing	112
2.11.4.1.1	Clock Divider	113



**Table of Contents**

2.11.4.1.2	Sample Time Delay	113
2.11.4.1.3	Conversion Time	113
2.11.4.2	ADC Configuration	114
2.11.4.2.1	Reference- and Signal Voltage Selection	114
2.11.4.2.2	Single ended / Differential Conversion	114
2.11.4.2.3	Comparator Signal Inversion	114
2.11.4.2.4	Channel Gain Selection	114
2.11.4.2.5	Full Conversion or Sub Conversion	114
2.11.4.2.6	Analog Offset Correction of the Wheatstone Bridge Signals	114
2.11.4.3	ADC Conversion Result	115
2.11.5	Register Description	116
2.12	16 bit CRC (Cyclic Redundancy Check) Generator/Checker	123
2.12.1	Byte-aligned CRC Generation	123
2.12.2	Byte-aligned CRC Checking	124
2.12.3	Serial bit stream CRC Generation/Checking	124
2.12.4	Register Description	125
2.13	8 bit Pseudo Random Number Generator	128
2.13.1	Register Description	128
2.14	Timers	129
2.14.1	Timer 0 and Timer 1	129
2.14.1.1	Basic Timer Operations	129
2.14.1.2	Timer Modes	129
2.14.1.2.1	Timer/Counter 0/1 - Mode 0	129
2.14.1.2.2	Timer/Counter 0/1 - Mode 1	130
2.14.1.2.3	Timer/Counter 0/1 - Mode 2	130
2.14.1.2.4	Timer/Counter 0/1 - Mode 3	130
2.14.1.3	Timer/Counter 0/1 Interrupt support	131
2.14.1.4	Register Description	131
2.14.2	Timer 2 and Timer 3	136
2.14.2.1	Basic Timer Operations	136
2.14.2.2	Timer Modes	136
2.14.2.2.1	Timer 2/3 - Mode 0	136
2.14.2.2.2	Timer 2/3 - Mode 1	137
2.14.2.2.3	Timer 2/3 - Mode 2	138
2.14.2.2.4	Timer 2/3 - Mode 3	138
2.14.2.2.5	Timer 2/3 - Mode 4	139
2.14.2.2.6	Timer 2/3 - Mode 5	140
2.14.2.2.7	Timer 2/3 - Mode 6	140
2.14.2.2.8	Timer 2/3 - Mode 7	141
2.14.2.3	Register Description	142
2.15	General Purpose Input/Output (GPIO)	147
2.15.1	GPIO Port Configuration	147
2.15.2	Spike Suppression on Input Pins	147
2.15.3	External Wake-up on PP1-PP4 and PP6-PP9	147
2.15.4	Alternative Port Functionality	148
2.15.5	Register Description	150
2.16	I <sup>2</sup> C Interface	156
2.16.1	Module Structure	156
2.16.2	I <sup>2</sup> C Programming Instructions	157
2.16.2.1	Slave Mode Sequence (Polling Mode)	157
2.16.2.2	Slave Mode Sequence (Interrupt Mode)	157

Table of Contents

2.16.2.3	General Call Sequence	158
2.16.2.4	Master Mode Sequence (Polling Mode)	158
2.16.2.5	Master Mode Sequence (Interrupt Mode)	158
2.16.3	Register Description	160
2.17	SPI Interface	165
2.17.1	SPI Functionality	165
2.17.1.1	Full-Duplex Operation	166
2.17.1.2	Half-Duplex Operation	167
2.17.1.3	Data Modes	168
2.17.2	Module Structure	169
2.17.3	Interrupt Support	169
2.17.4	SPI Programming Instructions	170
2.17.4.1	Slave Mode Sequence	170
2.17.4.2	Master Mode Sequence	170
2.17.5	Register Description	170
2.18	PROGRAMMING Mode Operation	177
2.18.1	FLASH Write Line	177
2.18.2	FLASH Read Line	178
2.18.3	FLASH Erase	178
2.18.4	FLASH Check Erase Status	179
2.18.5	FLASH Set Code Lock (Lockbyte 2)	179
2.18.6	FLASH Set User Data Sector Lock (Lockbyte 3)	180
2.18.7	Read Status	180
2.19	DEBUG Mode Operation	181
2.19.1	ROM Debug Function	181
2.19.2	DEBUG Mode Commands	181
2.19.2.1	Set SFR	181
2.19.2.2	Read SFR	182
2.19.2.3	Set IData	182
2.19.2.4	Read IData	182
2.19.2.5	Set XData	182
2.19.2.6	Read XData	183
2.19.2.7	Set PC	183
2.19.2.8	Read PC	183
2.19.2.9	Single Step	183
2.19.2.10	Run Interruptible	183
2.19.2.11	Run until Breakpoint	184
<b>3</b>	<b>Reference</b>	<b>185</b>
3.1	Electrical Data	185
3.1.1	Absolute Maximum Ratings	185
3.1.2	Operating Range	186
3.1.3	Product Characteristics	186
3.1.3.1	Temperature Sensor	186
3.1.3.2	Battery Sensor	186
3.1.3.3	Supply Currents	187
3.1.3.4	RF-Transmitter	187
3.1.3.5	LF Receiver	188
3.1.3.6	Crystal oscillator	189
3.1.3.6.1	Crystal oscillator recommendation	189
3.1.3.7	12 MHz RC HF oscillator	190
3.1.3.8	2 kHz RC LP oscillator	190



---

**Table of Contents**

3.1.3.9	Interval Timer .....	191
3.1.3.10	Power On Reset .....	191
3.1.3.11	VMIN Detector .....	192
3.1.3.12	6k FLASH Code memory data .....	192
3.1.3.13	2 times 128 byte FLASH Data memory .....	192
3.1.3.14	ADC Interface .....	193
3.1.3.15	Digital I/O Pin .....	193
3.1.4	Matching Network for the Power Amplifier .....	194
<b>4</b>	<b>Register Overview</b> .....	<b>195</b>
	<b>References</b> .....	<b>198</b>
<b>5</b>	<b>Package Outlines</b> .....	<b>199</b>

## List of Figures

Figure 1	Pin-outs of PMA71xx	16
Figure 2	PMA71xx Block Diagram	28
Figure 3	Operating Mode Selection of the PMA71xx after Reset	29
Figure 4	NORMAL mode - State Transition Diagram	30
Figure 5	Power On Reset - Operating Mode Selection	31
Figure 6	Block Diagram of the System Controller	35
Figure 7	Interval Timer Block Diagram	42
Figure 8	Calculation of Interval Timer period	42
Figure 9	PMA7110 Clock Concept	52
Figure 10	Formulas for Crystal selection dependent of RF Bands	53
Figure 11	Crystal Oscillator and FSK-Modulator Block Diagram	53
Figure 12	Memory Map	57
Figure 13	Naming Convention for Register Descriptions	61
Figure 14	RF Transmitter Block Diagram	72
Figure 15	Manchester/BiPhase Encoder	74
Figure 16	Diagram of the Different RF Encoder Modes	75
Figure 17	Calculation of RF bit rate timer value	76
Figure 18	LF Receiver	84
Figure 19	LF Receiver AFE Block Diagram	85
Figure 20	LF Receiver AFE Block Diagram	85
Figure 21	LF Receiver Carrier Detector Hold Time Behavior	86
Figure 22	Carrier Detector Threshold Calibration Timing (with "freeze")	87
Figure 23	LF Receiver Carrier Detector Filtering	88
Figure 24	Calculation of time base for LF Receiver On/Off Timer	88
Figure 25	Calculation of On time for LF Receiver On/Off Timer	89
Figure 26	Calculation of Off time for LF Receiver On/Off Timer	89
Figure 27	LF Receiver Baseband	90
Figure 28	LF Receiver Baseband Configurations	90
Figure 29	Calculation of LF Receiver bit rate	91
Figure 30	LF Receiver Data Decoder schemes	91
Figure 31	Block Diagram of the Sensor Interface	108
Figure 32	Wheatstone Bridge Sensor Connection	110
Figure 33	External Sensor Use Channel 2 as Reference Voltage	111
Figure 34	ADC Timing diagram (standard conversion)	112
Figure 35	ADC frequency calculation	113
Figure 36	ADC sample time delay	113
Figure 37	Generation of ADC clock and the sample time signal	113
Figure 38	Calculation of the ADC conversion time using full conversion	114
Figure 39	Calculation of the ADC conversion time using sub conversion	114
Figure 40	ADC offset voltage calculation	115
Figure 41	Calculation of single ended conversion	115
Figure 42	Calculation of differential conversion	115
Figure 43	CRC (Cyclic Redundancy Check) Generator/Checker	123
Figure 44	CRC (Cyclic Redundancy Check) Generator/Checker example	123
Figure 45	Example of Serial CRC Generation/checking	124
Figure 46	Timer/Counter 0, Mode 0, 13-Bit Timer/Counter	129
Figure 47	Timer/Counter 0, Mode 2: 8-bit Timer/Counter with auto-reload	130
Figure 48	Timer/Counter 0, Mode 3: Two 8-bit Timers/Counters	131
Figure 49	Timer 2/3 - Mode 0	136

List of Figures

Figure 50	Timer 2/3 - Mode 1 . . . . .	137
Figure 51	Timer 2/3 - Mode 2 . . . . .	138
Figure 52	Timer 2/3 - Mode 3 . . . . .	139
Figure 53	Timer 2/3 - Mode 4 . . . . .	139
Figure 54	Timer 2/3 - Mode 5 . . . . .	140
Figure 55	Timer 2/3 - Mode 6 . . . . .	141
Figure 56	Timer 2/3 - Mode 7 . . . . .	141
Figure 57	Logical description of external wake-ups and internal pull-up/pull-down resistors . . . . .	148
Figure 58	I <sup>2</sup> C module structure . . . . .	156
Figure 59	Calculation of I <sup>2</sup> C baud rate . . . . .	160
Figure 60	SPI principle . . . . .	165
Figure 61	Full-Duplex configuration . . . . .	166
Figure 62	Half-Duplex Configuration. . . . .	167
Figure 63	SPI data modes . . . . .	168
Figure 64	SPI module structure . . . . .	169
Figure 65	Calculation of SPI baud rate. . . . .	171
Figure 66	Legend for I <sup>2</sup> C-Commands in PROGRAMMING mode . . . . .	177
Figure 67	FLASH Write Line command . . . . .	178
Figure 68	FLASH Read Line command . . . . .	178
Figure 69	FLASH Erase command . . . . .	178
Figure 70	FLASH Erase: Sector byte . . . . .	178
Figure 71	FLASH Check Erase Status command. . . . .	179
Figure 72	FLASH Check Erase Status: Sector byte . . . . .	179
Figure 73	FLASH Check Erase Status: Status byte . . . . .	179
Figure 74	FLASH Set Lockbyte 3 command. . . . .	180
Figure 75	Read Status command . . . . .	180
Figure 76	Read Status: Status byte . . . . .	180
Figure 77	Legend for I <sup>2</sup> C communication in DEBUG . . . . .	181
Figure 78	Set SFR command . . . . .	181
Figure 79	Read SFR command . . . . .	182
Figure 80	Set IData command . . . . .	182
Figure 81	Read IData command. . . . .	182
Figure 82	Set XData command. . . . .	182
Figure 83	Read XData command . . . . .	183
Figure 84	Set PC command . . . . .	183
Figure 85	Read PC command . . . . .	183
Figure 86	Single Step . . . . .	183
Figure 87	Run Interruptible . . . . .	183
Figure 88	Run until Breakpoint . . . . .	184
Figure 89	Matching network for the power amplifier . . . . .	194
Figure 90	Package Outline PG-TSSOP-38. . . . .	199

## List of Tables

Table 1	PMA51xx and PMA71xx Family	14
Table 2	Abbreviations for Pin Type	17
Table 3	Pin Description	17
Table 4	Operating Mode Selection after Reset	30
Table 5	State Transitions in NORMAL mode	33
Table 6	Status of Important PMA7110 Blocks in Different States	34
Table 7	Registers Overview	37
Table 8	Registers Overview	43
Table 9	Registers Overview	45
Table 10	Registers Overview	54
Table 11	Registers Overview	60
Table 12	Special Function Registers Overview	61
Table 13	Registers Overview	65
Table 14	Interrupt Vector Locations	67
Table 15	Registers Overview	69
Table 16	Registers Overview	76
Table 17	Registers Overview	93
Table 18	Selection of the Gain Factor	109
Table 19	Registers Overview	116
Table 20	Registers Overview	125
Table 21	Registers Overview	131
Table 22	Registers Overview	142
Table 23	GPIO Port Configuration	147
Table 24	I/O Port 1 - Alternative Functionality	148
Table 25	Registers Overview	150
Table 26	Registers Overview	160
Table 27	Registers Overview	170
Table 28	FLASH Erase: Sector byte	178
Table 29	FLASH Check Erase Status: Sector byte	179
Table 30	FLASH Check Erase Status: Status byte	179
Table 31	Read Status: Status byte	180
Table 32	Absolute Maximum Ratings	185
Table 33	Operating Range	186
Table 34	Temperature Sensor Characteristics	186
Table 35	Battery Sensor Characteristics	186
Table 36	Supply Currents	187
Table 37	RF Transmitter	187
Table 38	LF Receiver, $V_{Bat} = 2.1-3.6V$	188
Table 39	Crystal oscillator	189
Table 40	NDK crystal oscillator recommendation for PMA71xx	189
Table 41	12 MHz RC HF oscillator	190
Table 42	2 kHz RC LP oscillator	190
Table 43	Interval Timer	191
Table 44	Power On Reset	191
Table 45	VMIN Detector	192
Table 46	6k FLASH Code memory data	192
Table 47	2 times 128 byte FLASH Data memory	192
Table 48	ADC Interface	193
Table 49	Digital I/O Pin	193



---

**List of Tables**

Table 50	Values of the matching network for the power amplifier . . . . .	194
Table 51	Register Overview . . . . .	195

## 1 Product Description

### 1.1 Overview

The SmartLEWIS™ MCU family comprises an ASK/FSK multiband transmitter for the sub 1GHz ISM frequency bands with an embedded 8051 microcontroller as base functionality. Additionally, the highly integrated single chip family has internal sensors and optional peripheral functions like an analog to digital converter (ADC) and a LF Receiver on chip. The operating voltage range of 1.9 to 3.6 V, the high efficiency Power Amplifier and an advanced power control system make the PMA71xx family ideal for battery operated applications where low current consumption is necessary. The pin-compatible product family requires only a few external components and is the basis for flexible wireless control transmitter platforms enabling applications for different frequency bands, output power levels and feature sets based on only one design - just through different mounting options.

The multiband ASK/FSK transmitter for 315/434/868/915 MHz frequency bands contains a fully integrated VCO, a PLL synthesizer, an ASK/FSK modulator and a high efficiency Power Amplifier with selectable output power. Fine tuning of the center frequency can be done by an on-chip capacitor bank.

The integrated microcontroller is instruction set compatible to the standard 8051 processor. It can be clocked with an internal 12 MHz RC HF or an external oscillator. 6 clock cycles are needed for the execution of one instruction. This results in 2 MIPS<sup>1)</sup> when using the 12 MHz RC HF oscillator. The microcontroller is equipped with various peripherals like a hardware Manchester/BiPhase Encoder/Decoder and a CRC Generator/Checker. To store the microcontroller application program code, a 6 kbyte on-chip FLASH memory is integrated. This FLASH memory is also used for saving the unique ID-number of the chip. A comprehensive software function library with high level commands in ROM allows easy and fast time to market development. The library provides many powerful functions like AES-encryption and EEPROM emulation, what helps to reduce the user code size.

Additional peripherals are an integrated temperature sensor and a low battery voltage sensor. Measurements via these internal sensors and reading signals from analog inputs (e.g. from an external analog sensor) are performed under software control.

Depending on the product variant, PMA71xx offers an embedded multi-channel 10-bit analog to digital converter with flexible high-gain settings as interface for a broad variety of analog sensors and an integrated 125 kHz LF Receiver. The LF Receiver enables wireless wake-up in battery operated applications with ultra-long-lifetime or even contactless configuration of the device.

1) MIPS .. Million Instructions Per Second

## 1.2 PMAx1xx Product Family

The PMAx1xx product family contains various product variants listed in [Table 1 “PMA51xx and PMA71xx Family” on Page 14](#).

*Note: This data sheet documents the full feature set of the PMA7110, which has the full feature set of the PMA71xx product family available. When using the PMA71xx family data sheet for product variants other than the PMA7110, please keep in mind that not all of the features and data described are relevant for these other members of the family.*

Following table shows the functional differences of the PMA51xx and PMA71xx family members:

**Table 1 PMA51xx and PMA71xx Family**

Product Name	Ordering Code	RF Transmitter	Embedded 8051 MCU	ADC	125 kHz LF Receiver	Automotive Qualified
PMA7110	SP000430596	X	X	X	X	no
PMA7107	SP000450412	X	X		X	no
PMA7106	SP000450410	X	X	X		no
PMA7105	SP000450408	X	X			no
PMA5110	SP000373573	X	X	X	X	yes
PMA5105	SP000463432	X	X			yes

The PMA71xx products are supporting a temperature range from -40 to +85°C, tailored for consumer and industrial applications. Additionally, Infineon offers the full automotive qualified PMA51xx product family with a temperature range of -40 to +125°C, tailored for automotive applications and industrial applications in harsh environment.

## 1.3 Applications

- Remote controls
- Home automation systems
- Security and alarm systems
- Lighting controls
- Wireless sensing
- Automatic meter reading
- Active Tagging

## 1.4 Key Features

General:

- Supply voltage range from 1.9 V up to 3.6 V
- Operating temperature range from -40 to +85 °C
- Low power down current consumption < 0.6 µA
- Advanced power control system for lowest system current consumption, switching the microcontroller or transmitter part into POWER DOWN or IDLE state whenever possible
- PG-TSSOP-38 package

Transmitter:

- Multiband RF Transmitter for ISM frequency band 315/434/868/915 MHz
- SW configurable transmit power of 5/8/10 dBm into 50 Ohm load

- Selectable transmit data rates up to 32 kbit/s (64 kchips/s)
- RF Encoder supporting Manchester-, BiPhase- or NRZ coded data (Chip Mode)
- ASK/FSK modulation capability
- FSK frequency deviation up to 100 kHz
- Fully integrated VCO and PLL synthesizer
- Crystal oscillator tuning on chip

#### Microcontroller:

- 8051 instruction set compatible microcontroller (cycle-optimized)
- 6 kbyte free programmable FLASH code memory
- 2 blocks of 128 byte FLASH data memory, alternatively usable as 31 byte emulated EEPROM
- ROM embedded software function library with preprogrammed functions and high level commands for easy programming
- 128 bit AES (Advanced Encryption Standard) embedded as software function
- 256 bytes RAM (128 bytes configurable to keep content in POWER DOWN state)
- 16 bytes XData memory (supplied in POWER DOWN state)
- 2 MIPS when using internal 12 MHz RC HF oscillator

#### Peripherals:

- 125 kHz ASK LF Receiver
- LF Receiver data rate for typical 3.9 kbit/s (Manchester/BiPhase coded)
- 10 bit ADC with 3 pair differential channels and flexible high-gain settings (e.g. as inputs for external sensors)
- 10 free programmable bidirectional General Purpose Input Output pins (GPIO) with on-chip pull-up/pull-down resistors. 8 of them have wake-up functionality
- On-chip temperature sensor
- On-chip voltage sensor for low battery voltage measurement
- Brownout Detector
- Manchester/BiPhase Encoder and Decoder
- 16 bit hardware CRC Generator
- 8 bit Pseudo Random Number Generator
- I<sup>2</sup>C bus interface
- SPI bus interface

#### Miscellaneous:

- Watchdog Timer
- 4 independent 16 bit timers
- Wake-up from POWER DOWN state possible by different sources: Interval Timer, Watchdog Timer, LF Receiver or external wake-up sources connected to GPIOs
- On-chip debugging via I<sup>2</sup>C interface
- 48 bit unique-ID on chip



### 1.5 Pin Diagram

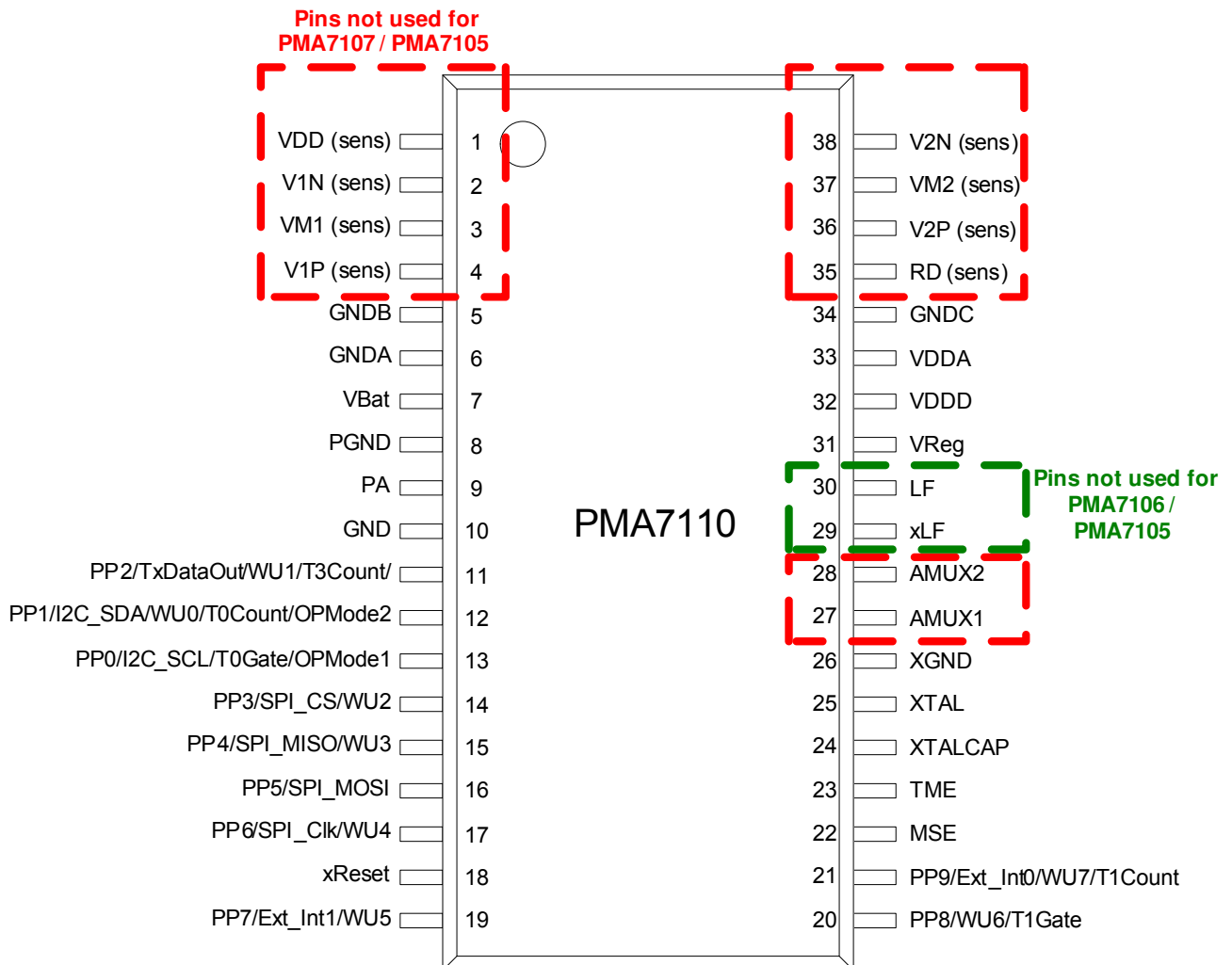


Figure 1 Pin-outs of PMA71xx

## 1.6 Pin Description

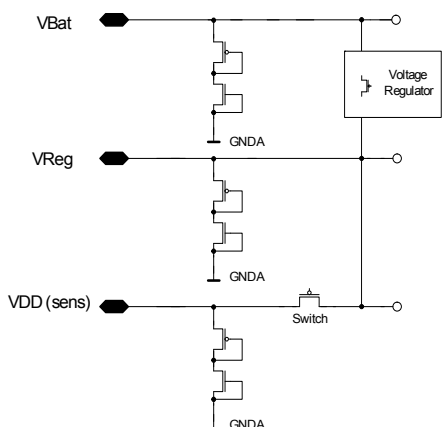
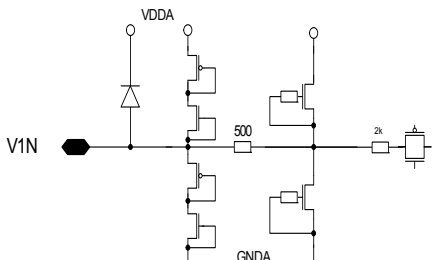
### Abbreviations

Standard abbreviations for I/O are shown in [Table 2](#).

**Table 2 Abbreviations for Pin Type**

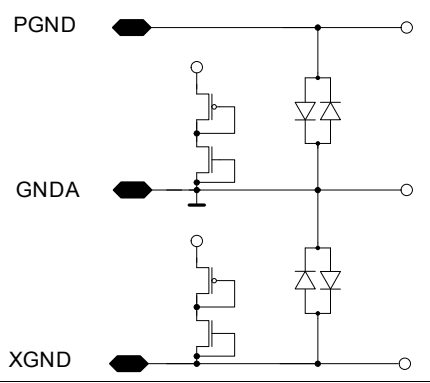
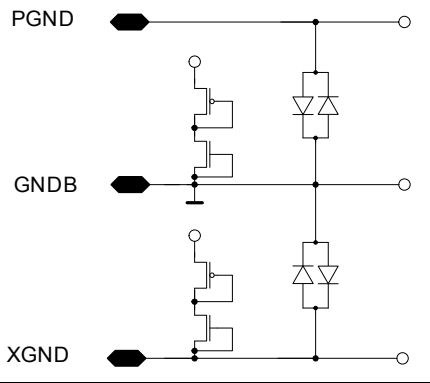
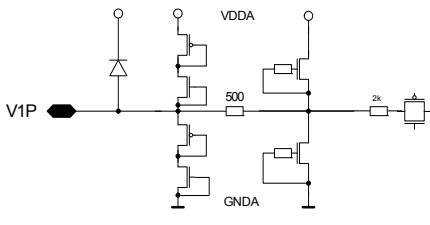
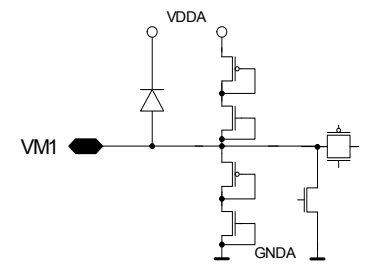
Abbreviations	Description
I	Standard input-only pin. Digital levels.
I/O	I/O is a bidirectional input/output signal.
AI	Input. Analog levels.
AO	Output. Analog levels.
AI/O	Input or Output. Analog levels.
PWR	Power
GND	Ground

**Table 3 Pin Description**

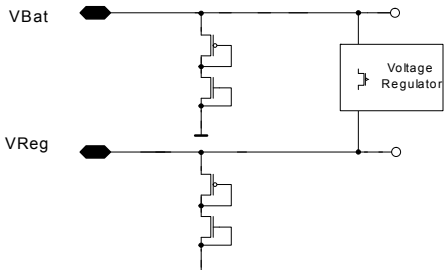
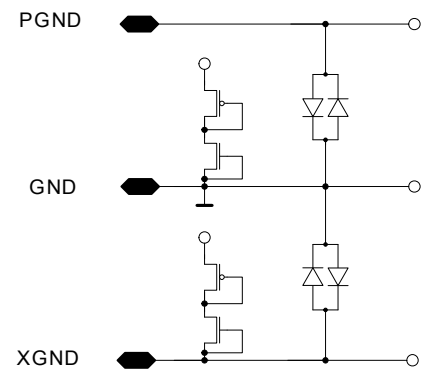
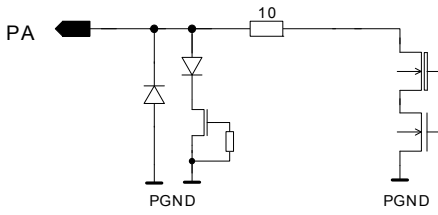
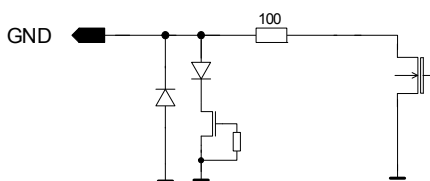
Pin No.	Name	Pin Type	Buffer Type	Function
1	VDD_sens	AO	Supply_output 	<b>Sensor Bridge Positive Supply</b> Output of $V_{Reg}$ during measurement.
2	V1N_sens	AI	Analog 	<b>Channel 6, High-gain ADC Input</b> Negative input connect to sensor bridge. Output of wheatstone bridge sensor

**Table 3 Pin Description (cont'd)**

Pin No.	Name	Pin Type	Buffer Type	Function
3	VM1_sens	GND	Supply	<b>Channel 6, High-gain ADC Input</b> Sensor bridge negative supply. Same voltage as chip GND.
4	V1P_sens	AI	Analog	<b>Channel 6, High-gain ADC Input</b> Positive input connect to sensor bridge. Output of wheatstone bridge sensor
5	GNDB	GND	Supply	<b>Ground</b>
6	GNDA	GND	Supply	<b>Ground</b>



**Table 3 Pin Description (cont'd)**

Pin No.	Name	Pin Type	Buffer Type	Function
7	VBat	PWR	Supply 	<b>Battery Supply Voltage Regulators</b>
8	PGND	GND	Supply 	<b>Power Amplifier Ground Double bond</b>
9	PA	AO	Analog 	<b>Power Amplifier Output Stage</b>
10	GND	GND	Supply(Analog) 	<b>Ground</b>



**Table 3 Pin Description (cont'd)**

Pin No.	Name	Pin Type	Buffer Type	Function
11	PP2/TxDataOut/ WU1/T3Count/	I/O	Digital	<p><b>PP2</b></p> <ul style="list-style-type: none"> <li>-) Serial output of Manchester / Biphase encoded data.</li> <li>-) GPIO</li> <li>-) External wake-up source 1</li> <li>-) Clock source for Timer 3</li> <li>-) Internal, switchable pull-up/pull-down.</li> </ul>
12	PP1/I2C_SDA/ WU0/T0Count/ OPMode2	I/O	Digital	<p><b>PP1</b></p> <ul style="list-style-type: none"> <li>-) I2C bus interface data</li> <li>-) GPIO</li> <li>-) External wake-up source 0</li> <li>-) Clock source for Timer 0</li> <li>-) Select operation mode</li> <li>-) Internal, switchable pull-up/pull-down.</li> </ul>
13	PP0/I2C_SCL/ T0Gate/OPMode1	I/O	Digital	<p><b>PP0</b></p> <ul style="list-style-type: none"> <li>-) I2C bus interface clock</li> <li>-) GPIO</li> <li>-) External enable for Timer 0</li> <li>-) Select operation mode</li> <li>-) Internal, switchable pull-up/pull-down.</li> </ul>

**Table 3 Pin Description (cont'd)**

Pin No.	Name	Pin Type	Buffer Type	Function
14	PP3/SPI_CS/WU2	I/O	Digital	<p><b>PP3</b></p> <ul style="list-style-type: none"> <li>-) SPI bus interface chip select</li> <li>-) GPIO</li> <li>-) External wake-up source 2</li> <li>-) Internal, switchable pull-up/pull-down.</li> </ul>
15	PP4/SPI_MISO/WU3	I/O	Digital	<p><b>PP4</b></p> <ul style="list-style-type: none"> <li>-) SPI bus interface master in slave out</li> <li>-) GPIO</li> <li>-) External wake-up source 3</li> <li>-) Internal, switchable pull-up/pull-down.</li> </ul>
16	PP5/SPI_MOSI	I/O	Digital	<p><b>PP5</b></p> <ul style="list-style-type: none"> <li>-) SPI bus interface master out slave in</li> <li>-) GPIO</li> <li>-) Internal, switchable pull-up/pull-down.</li> </ul>

**Table 3 Pin Description (cont'd)**

Pin No.	Name	Pin Type	Buffer Type	Function
17	PP6/SPI_Clk/WU4	I/O	Digital	<p><b>PP6</b></p> <ul style="list-style-type: none"> <li>-) SPI bus interface clock</li> <li>-) GPIO</li> <li>-) External wake-up source 4</li> <li>-) Internal, switchable pull-up/pull-down.</li> </ul>
18	xReset	I	Digital	<p><b>External Reset</b> Low active</p>
19	PP7/Ext_Int1/WU5	I/O	Digital	<p><b>PP7</b></p> <ul style="list-style-type: none"> <li>-) GPIO</li> <li>-) External interrupt source 1</li> <li>-) External wake-up source 5</li> <li>-) Internal, switchable pull-up/pull-down.</li> </ul>

**Table 3 Pin Description (cont'd)**

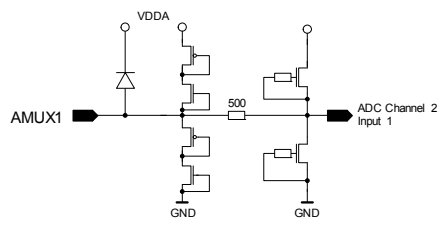
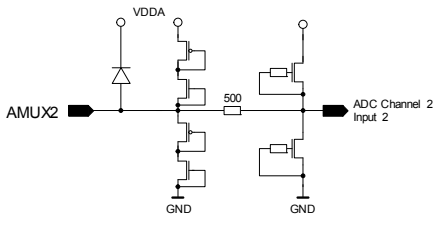
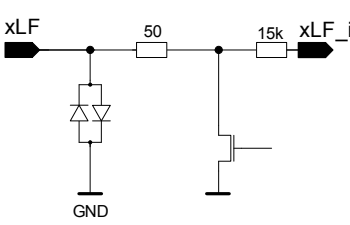
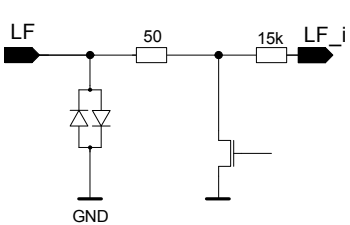
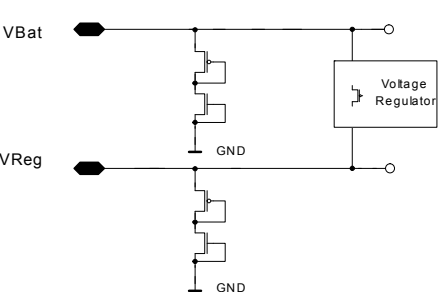
Pin No.	Name	Pin Type	Buffer Type	Function
20	PP8/WU6/T1Gate	I/O	Digital	<p><b>PP8</b></p> <ul style="list-style-type: none"> <li>-) GPIO</li> <li>-) External wake-up source 6</li> <li>-) External enable for Timer 1</li> <li>-) Internal, switchable pull-up/pull-down.</li> </ul>
21	PP9/Ext_Int0/WU7/T1Count	I/O	Digital	<p><b>PP9</b></p> <ul style="list-style-type: none"> <li>-) GPIO</li> <li>-) External interrupt source 0</li> <li>-) External wake-up source 7</li> <li>-) Clock source for Timer 1</li> <li>-) Internal, switchable pull-up/pull-down.</li> </ul>
22	MSE	I	Digital	<p><b>Mode Select Enable</b></p> <p>High active, set to GND in NORMAL Mode.</p>



**Table 3 Pin Description (cont'd)**

Pin No.	Name	Pin Type	Buffer Type	Function
23	TME	I	Digital	<b>Test Mode Enable, n.a. for Normal Application</b> Has to be set to GND in NORMAL Mode
24	XTALCAP	AI	Analog	<b>Crystal Oscillator Load Capacitance</b>
25	XTAL	AI	Analog	<b>Crystal Oscillator Input</b>
26	XGND	GND	Supply	<b>Crystal Oscillator Ground</b>

**Table 3 Pin Description (cont'd)**

Pin No.	Name	Pin Type	Buffer Type	Function
27	AMUX1	AI	Analog 	<b>Additional Differential ADC Standard Input1 for External Sensor</b> Connect to GND if not use.
28	AMUX2	AI	Analog 	<b>Additional Differential ADC Standard Input2 for External Sensor</b> Connect to GND if not use.
29	xLF	AI	Analog 	<b>Differential LF Receiver Input2</b> 125kHz Input.
30	LF	AI	Analog 	<b>Differential LF Receiver Input1</b>
31	VReg	AO	Supply 	<b>Internal Voltage Regulator Output</b> Connect to decoupling capacitor ( $C_{BCAP}=100\text{ nF}$ ) Regulated Power supply.