



Chipsmall Limited consists of a professional team with an average of over 10 year of expertise in the distribution of electronic components. Based in Hongkong, we have already established firm and mutual-benefit business relationships with customers from,Europe,America and south Asia,supplying obsolete and hard-to-find components to meet their specific needs.

With the principle of “Quality Parts,Customers Priority,Honest Operation,and Considerate Service”,our business mainly focus on the distribution of electronic components. Line cards we deal with include Microchip,ALPS,ROHM,Xilinx,Pulse,ON,Everlight and Freescale. Main products comprise IC,Modules,Potentiometer,IC Socket,Relay,Connector.Our parts cover such applications as commercial,industrial, and automotives areas.

We are looking forward to setting up business relationship with you and hope to provide you with the best service and solution. Let us make a better world for our industry!



Contact us

Tel: +86-755-8981 8866 Fax: +86-755-8427 6832

Email & Skype: info@chipsmall.com Web: www.chipsmall.com

Address: A1208, Overseas Decoration Building, #122 Zhenhua RD., Futian, Shenzhen, China



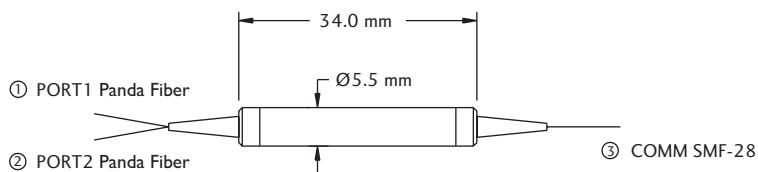
POLARIZATION MAINTAINING BEAM COMBINER AND ISOLATOR HYBRID

PMIH Series

Product Description

Oplink's polarization maintaining beam combiner and isolator hybrid delivers the combined functionality of a PMBC and an isolator within a single, compact-sized package. Oplink's integrated solution is designed to work as pump combiner for EDFA and Raman amplifications and features very high power handling and low insertion loss. Oplink's patented packaging technology ensures the highest quality and reliability for robust operation.

Oplink can provide customized designs to meet specialized feature applications. Also, Oplink offers modular assemblies that integrate other components to form a full function module or subsystem.



Performance Specification

PMIH Series	Specification	Unit	
Operating Wavelength	1480 ± 30 / 1440 ± 30	nm	
Insertion Loss	< 0.6	dB	
Isolation	> 18	dB	
Extinction Ratio (room temperature)	> 20	dB	
Return Loss	> 50	dB	
Directivity	> 50	dB	
Direction of Incident Polarization	Slow Axis		
Maximun Power Handling	< 500	mW	
Fiber Type	Input Ports (1 & 2)	400µm / 250µm Panda fiber	
	Output Port (Common)	Corning SMF-28, 250µm bare fiber	
Operating Temperature	0	+70	°C
Storage Temperature	-40	+85	°C
Package Dimension	P1 : (Ø) 5.5±0.2 x (L) 34.0±1		mm

Notes

^[1] Values are referenced without connector loss

^[2] ER is 3dB lower if connector added

Features

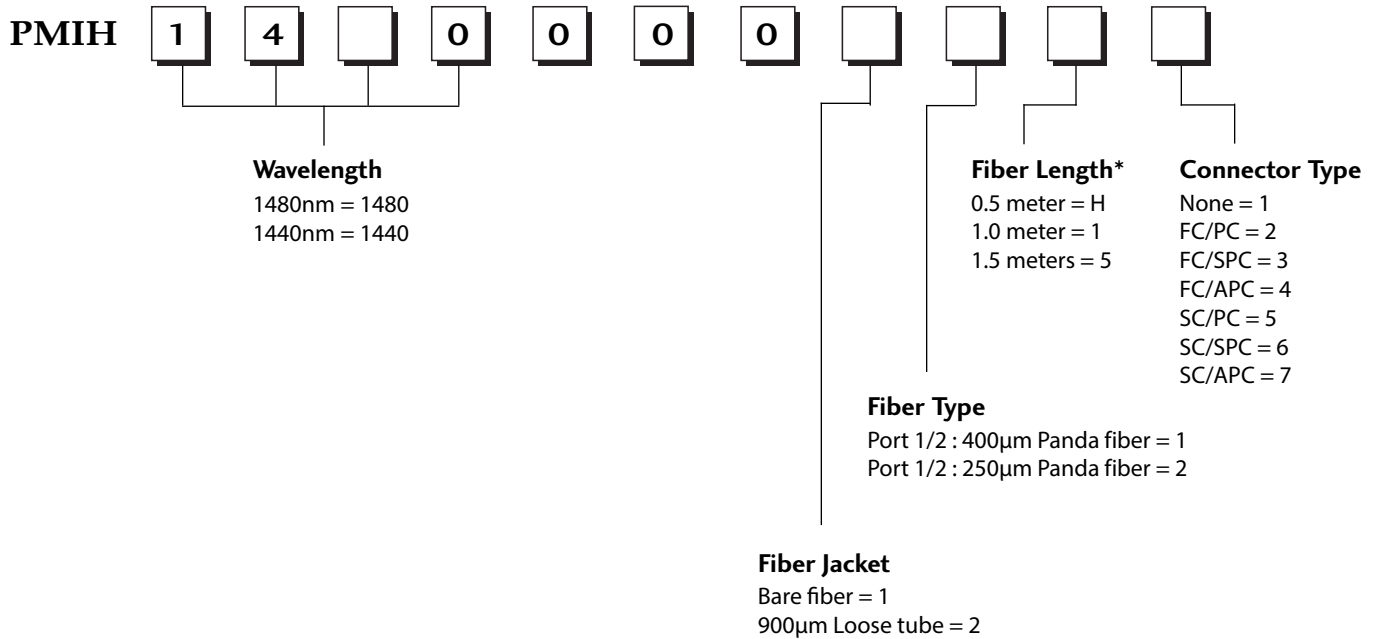
- ◆ Low Insertion Loss
- ◆ High Stability & Reliability
- ◆ Epoxy-free Optical Path
- ◆ Compact Package Size

Applications

- ◆ EDFA & Raman Amplifiers
- ◆ Highly Integrated Modules
- ◆ Laboratory R&D

Ordering Information

Oplink can provide a remarkable range of customized optical solutions. For detail, please contact Oplink's OEM design team or account manager for your requirements and ordering information (510) 933-7200.



* 1 meter is standard. The lead-time for special fiber length will be longer.