



Chipsmall Limited consists of a professional team with an average of over 10 year of expertise in the distribution of electronic components. Based in Hongkong, we have already established firm and mutual-benefit business relationships with customers from,Europe,America and south Asia,supplying obsolete and hard-to-find components to meet their specific needs.

With the principle of “Quality Parts,Customers Priority,Honest Operation,and Considerate Service”,our business mainly focus on the distribution of electronic components. Line cards we deal with include Microchip,ALPS,ROHM,Xilinx,Pulse,ON,Everlight and Freescale. Main products comprise IC,Modules,Potentiometer,IC Socket,Relay,Connector.Our parts cover such applications as commercial,industrial, and automotives areas.

We are looking forward to setting up business relationship with you and hope to provide you with the best service and solution. Let us make a better world for our industry!



Contact us

Tel: +86-755-8981 8866 Fax: +86-755-8427 6832

Email & Skype: info@chipsmall.com Web: www.chipsmall.com

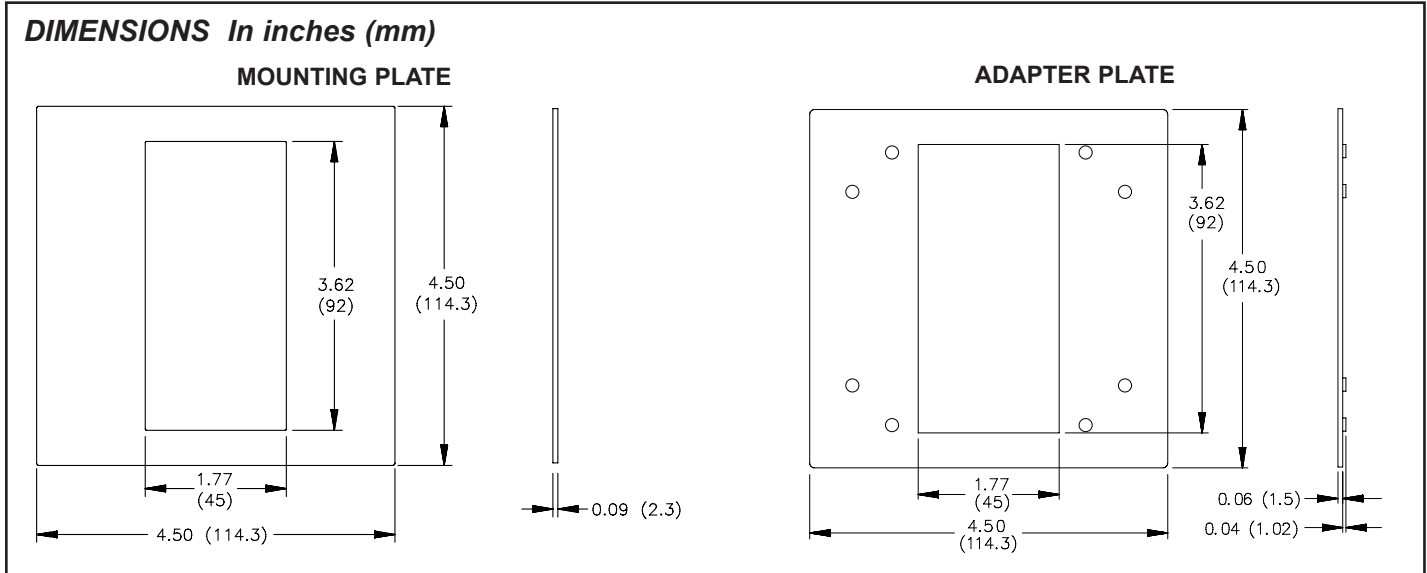
Address: A1208, Overseas Decoration Building, #122 Zhenhua RD., Futian, Shenzhen, China



MODELS PMK5, PMK7, and PMK7A - PANEL MOUNT ADAPTER KITS

PMK5 - 1/4 DIN TO 1/8 DIN ADAPTER

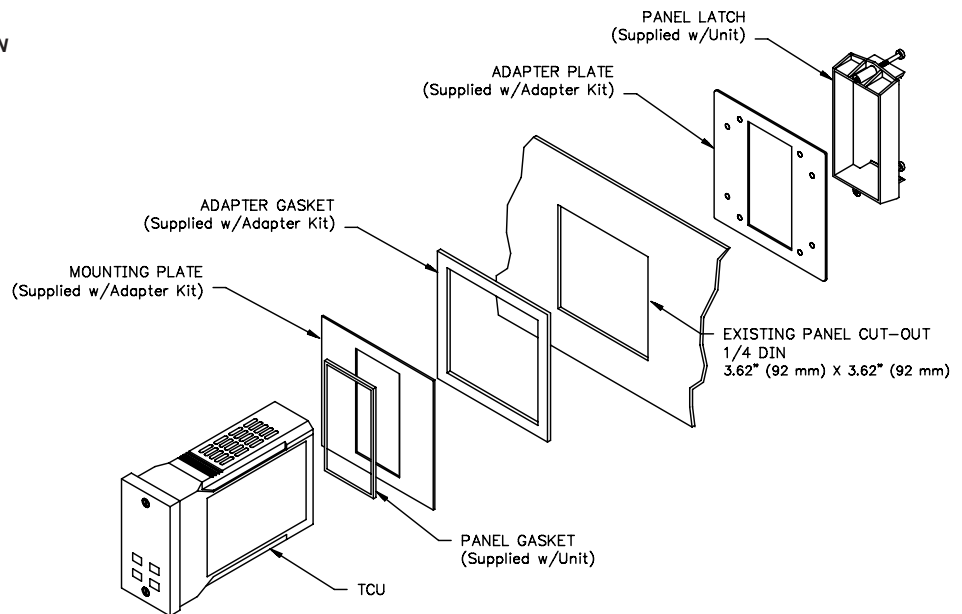
This panel mount adapter kit is used to mount 1/8 DIN instruments, vertically or horizontally into an existing 1/4 DIN panel cut-out. The kit includes two durable steel mounting plates painted black and a neoprene gasket. The Adapter Kit, when used with a unit which has NEMA 4/IP65 specifications, will meet NEMA 4/IP65 requirements when properly installed. Red Lion Controls 1/8 DIN products include Temperature and Process Control Units (*Models TCU, TSC, PCU, and PSC*), and PAX Series.



INSTALLATION

TYPICAL VERTICAL MOUNT INSTALLATION

1. Remove the paper backing from the adhesive side of the adapter gasket (included with adapter kit) and carefully apply the gasket to the front of the existing panel cut-out.
2. Apply the panel gasket (provided with the unit) to one side of the mounting plate. Slide the mounting plate over the unit with the gasket facing the Bezel of the unit.
3. Insert the unit with mounting plate into the panel cut-out from the front. Slide the adapter plate over the rear of the unit. The protrusion on the adapter plate is designed to fit into the existing 1/4 DIN panel cut-out to properly position the unit.
4. Refer to the installation section of the manual, supplied with the instrument, to complete the installation.

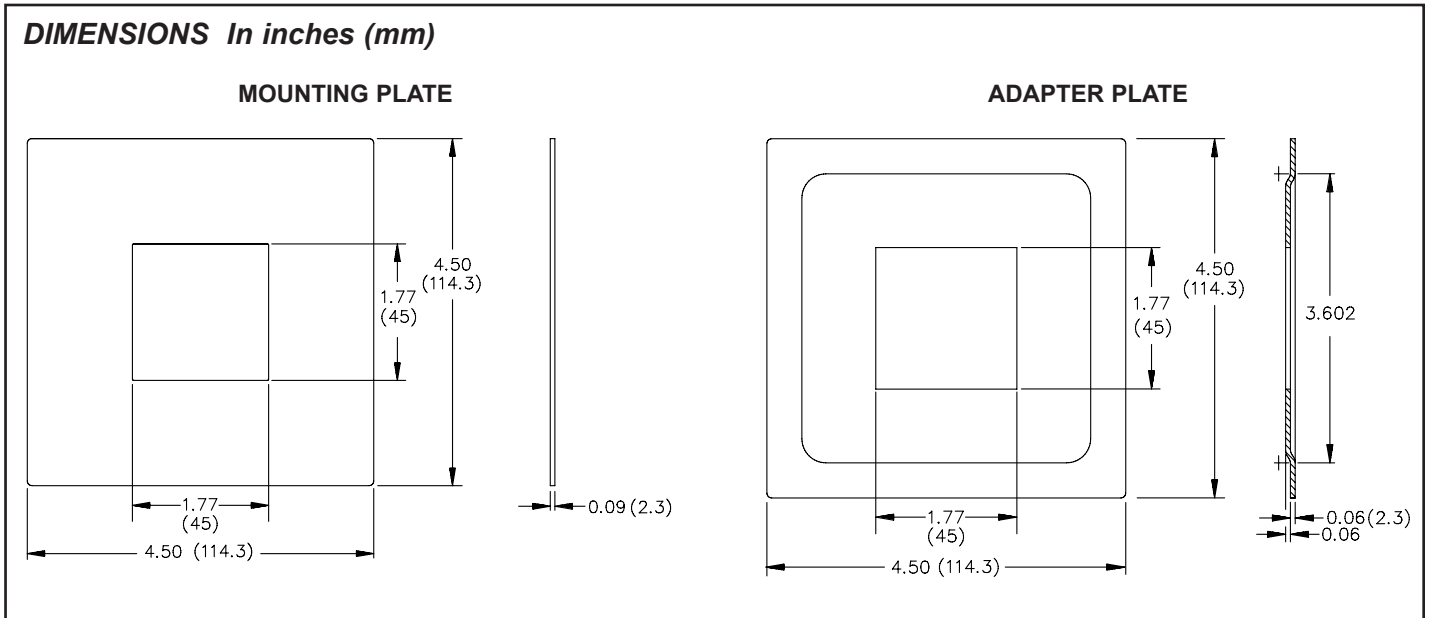


ORDERING INFORMATION

MODEL NO.	DESCRIPTION	PART NUMBER
PMK5	Panel Mount Adapter Kit (1/4 DIN TO 1/8 DIN)	PMK50000
PMK7	Panel Mount Adapter Kit (1/4 DIN TO 1/16 DIN)	PMK70000
PMK7A	Panel Mount Adapter Kit (1/4 DIN TO CUB)	PMK7A000

PMK7 - 1/4 DIN TO 1/16 DIN ADAPTER

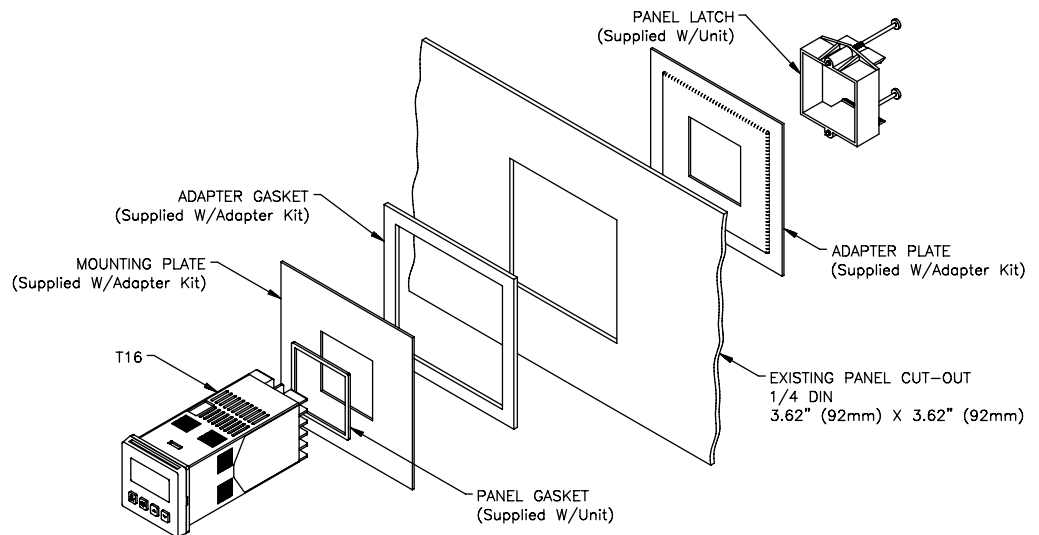
This panel mount adapter kit is used to mount 1/16 DIN instruments, into an existing 1/4 DIN panel cut-out. The kit includes two durable steel mounting plates painted black and a neoprene gasket. The Adapter Kit, when used with a unit which has NEMA 4/IP65 specifications, will meet NEMA 4/IP65 requirements when properly installed. Red Lion Controls 1/16 DIN products include Temperature and Process Control Units (*Models T48, T16, P48, and P16*), and Model C48 Counters and Timers.



INSTALLATION

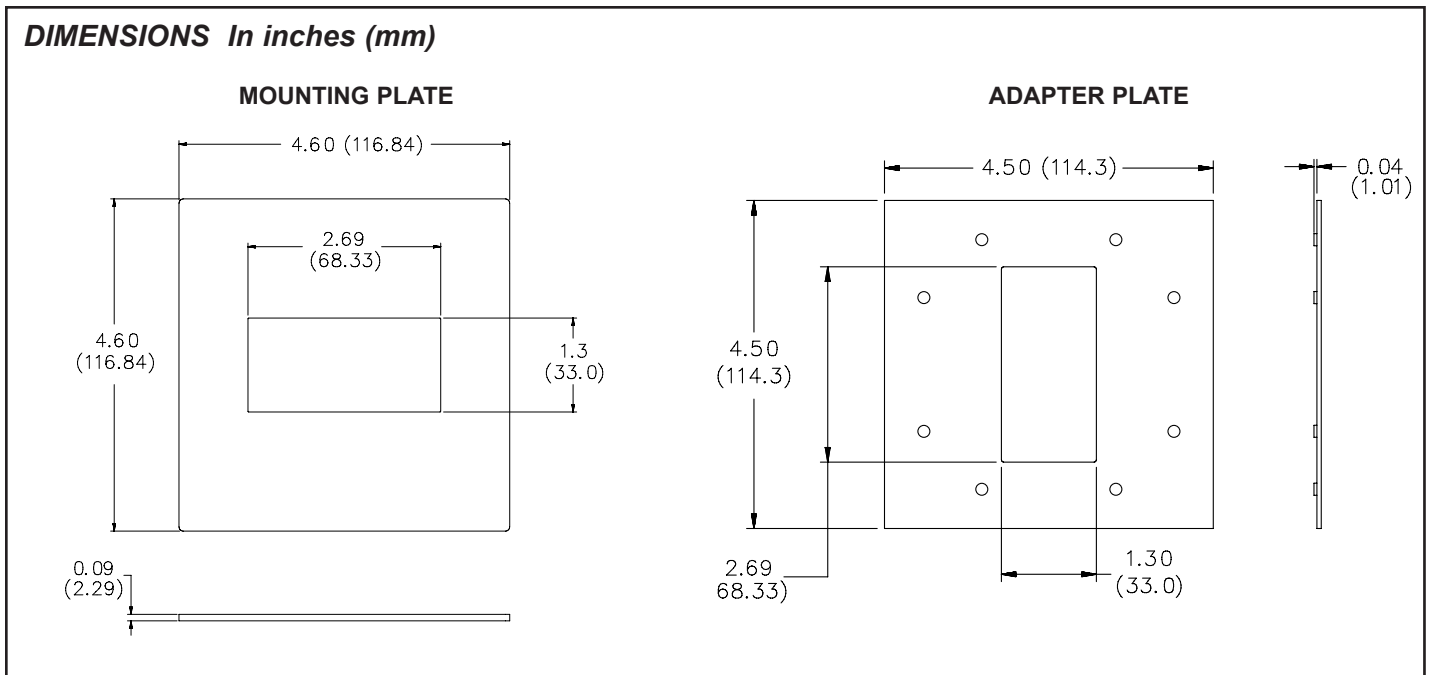
TYPICAL INSTALLATION

1. Remove the paper backing from the adhesive side of the adapter gasket (*included with adapter kit*) and carefully apply the gasket to the front of the existing panel cut-out.
2. Apply the panel gasket (*provided with the unit*) to one side of the mounting plate. Slide the mounting plate over the unit with the gasket facing the Bezel of the unit.
3. Insert the unit with mounting plate into the panel cut-out from the front. Slide the adapter plate over the rear of the unit. The protrusion on the adapter plate is designed to fit into the existing 1/4 DIN panel cut-out to properly position the unit.
4. Refer to the installation section of the manual, supplied with the instrument, to complete the installation.



PMK7A - 1/4 DIN TO CUB ADAPTER

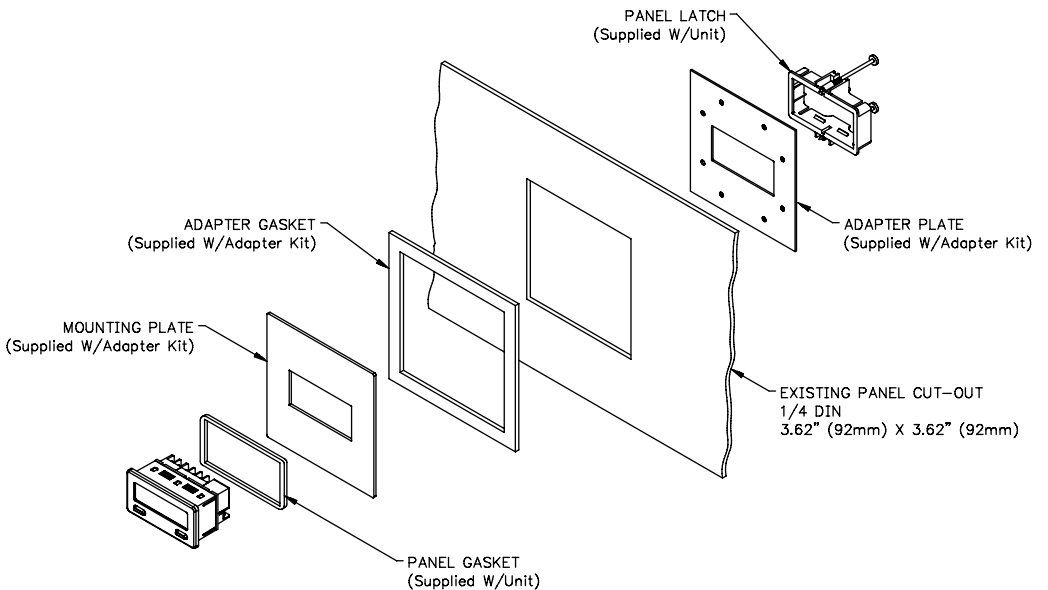
This panel mount adapter kit is used to mount CUB4, CUB5, DT8 and DT9 instruments, into an existing 1/4 DIN panel cut-out. The kit includes two durable steel mounting plates painted black and a neoprene gasket. The Adapter Kit, when used with a unit which has NEMA 4/IP65 specifications, will meet NEMA 4/IP65 requirements when properly installed.



INSTALLATION

TYPICAL INSTALLATION

1. Remove the paper backing from the adhesive side of the adapter gasket (included with adapter kit) and carefully apply the gasket to the front of the existing panel cut-out.
2. Apply the panel gasket (provided with the unit) to one side of the mounting plate. Slide the mounting plate over the unit with the gasket facing the Bezel of the unit.
3. Insert the unit with mounting plate into the panel cut-out from the front. Slide the adapter plate over the rear of the unit. The protrusion on the adapter plate is designed to fit into the existing 1/4 DIN panel cut-out to properly position the unit.
4. Refer to the installation section of the manual, supplied with the instrument, to complete the installation.



LIMITED WARRANTY

The Company warrants the products it manufactures against defects in materials and workmanship for a period limited to two years from the date of shipment, provided the products have been stored, handled, installed, and used under proper conditions. The Company's liability under this limited warranty shall extend only to the repair or replacement of a defective product, at The Company's option. The Company disclaims all liability for any affirmation, promise or representation with respect to the products.

The customer agrees to hold Red Lion Controls harmless from, defend, and indemnify RLC against damages, claims, and expenses arising out of subsequent sales of RLC products or products containing components manufactured by RLC and based upon personal injuries, deaths, property damage, lost profits, and other matters which Buyer, its employees, or sub-contractors are or may be to any extent liable, including without limitation penalties imposed by the Consumer Product Safety Act (P.L. 92-573) and liability imposed upon any person pursuant to the Magnuson-Moss Warranty Act (P.L. 93-637), as now in effect or as amended hereafter.

No warranties expressed or implied are created with respect to The Company's products except those expressly contained herein. The Customer acknowledges the disclaimers and limitations contained herein and relies on no other warranties or affirmations.

Red Lion Controls
20 Willow Springs Circle
York PA 17406
Tel +1 (717) 767-6511
Fax +1 (717) 764-0839

Red Lion Controls BV
Printerweg 10
NL - 3821 AD Amersfoort
Tel +31 (0) 334 723 225
Fax +31 (0) 334 893 793

Red Lion Controls AP
Unit 101, XinAn Plaza
Building 13, No.99 Tianzhou Road
ShangHai, P.R. China 200223
Tel +86 21 6113-3688
Fax +86 21 6113-3683