



Chipsmall Limited consists of a professional team with an average of over 10 year of expertise in the distribution of electronic components. Based in Hongkong, we have already established firm and mutual-benefit business relationships with customers from,Europe,America and south Asia,supplying obsolete and hard-to-find components to meet their specific needs.

With the principle of “Quality Parts,Customers Priority,Honest Operation,and Considerate Service”,our business mainly focus on the distribution of electronic components. Line cards we deal with include Microchip,ALPS,ROHM,Xilinx,Pulse,ON,Everlight and Freescale. Main products comprise IC,Modules,Potentiometer,IC Socket,Relay,Connector.Our parts cover such applications as commercial,industrial, and automotives areas.

We are looking forward to setting up business relationship with you and hope to provide you with the best service and solution. Let us make a better world for our industry!



Contact us

Tel: +86-755-8981 8866 Fax: +86-755-8427 6832

Email & Skype: info@chipsmall.com Web: www.chipsmall.com

Address: A1208, Overseas Decoration Building, #122 Zhenhua RD., Futian, Shenzhen, China



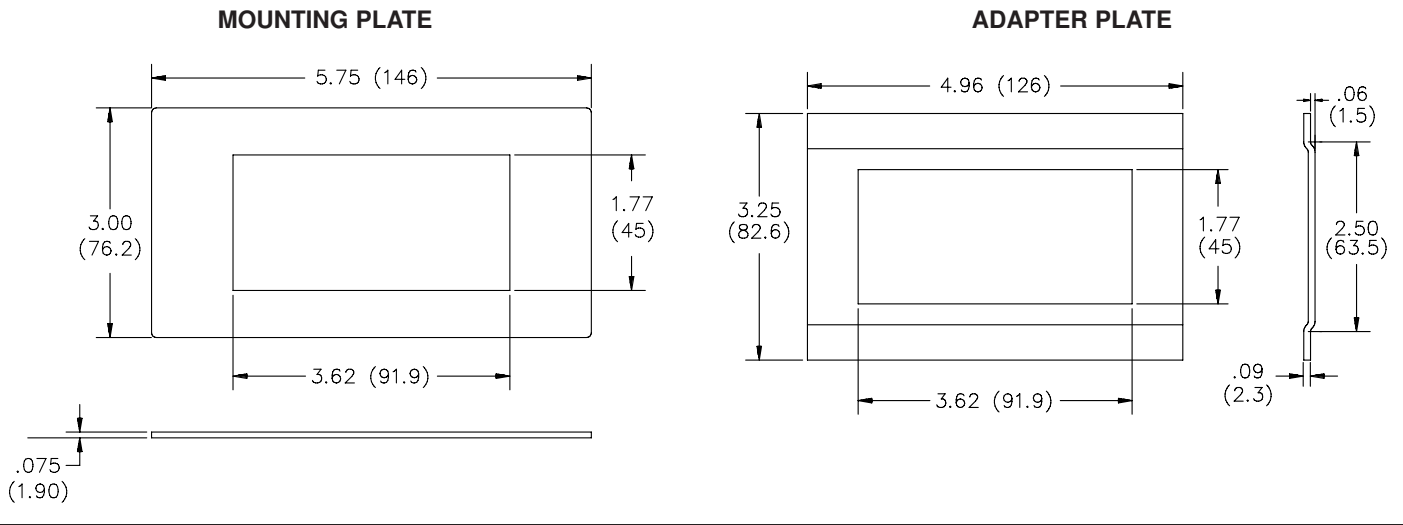
MODEL PMK8 - PANEL MOUNT ADAPTER KIT FOR PAX TO GEMINI CUT-OUT

The **PMK8** panel mount adapter kit is used to mount a PAX meter into an existing GEMINI panel cut-out. The kit includes two durable steel mounting plates painted black and a neoprene gasket. The Adapter Kit, when used with a meter which has NEMA 4/IP65 specifications, will meet NEMA 4/IP65 requirements when properly installed.

ORDERING INFORMATION

MODEL NO.	DESCRIPTION	PART NUMBER
PMK8	Panel Mount Adapter Kit (PAX to Gemini)	PMK80000

PMK8 DIMENSIONS In inches (mm)



PMK8 INSTALLATION

1. Apply the panel gasket (*provided with the meter*) over the PAX meter.
2. Insert the PAX meter through the mounting plate.
3. Apply the panel gasket (*provided with the adapter kit*) over the PAX meter behind the mounting plate.
4. Insert the PAX meter with mounting plate and gaskets into the front of the existing Gemini hole cut-out. Slide the adapter plate over the rear of the PAX meter.
5. Slide the panel latch (*provided with the meter*) over the rear of the PAX meter and tighten the screws.

