



Chipsmall Limited consists of a professional team with an average of over 10 year of expertise in the distribution of electronic components. Based in Hongkong, we have already established firm and mutual-benefit business relationships with customers from,Europe,America and south Asia,supplying obsolete and hard-to-find components to meet their specific needs.

With the principle of "Quality Parts,Customers Priority,Honest Operation,and Considerate Service",our business mainly focus on the distribution of electronic components. Line cards we deal with include Microchip,ALPS,ROHM,Xilinx,Pulse,ON,Everlight and Freescale. Main products comprise IC,Modules,Potentiometer,IC Socket,Relay,Connector.Our parts cover such applications as commercial,industrial, and automotives areas.

We are looking forward to setting up business relationship with you and hope to provide you with the best service and solution. Let us make a better world for our industry!



## Contact us

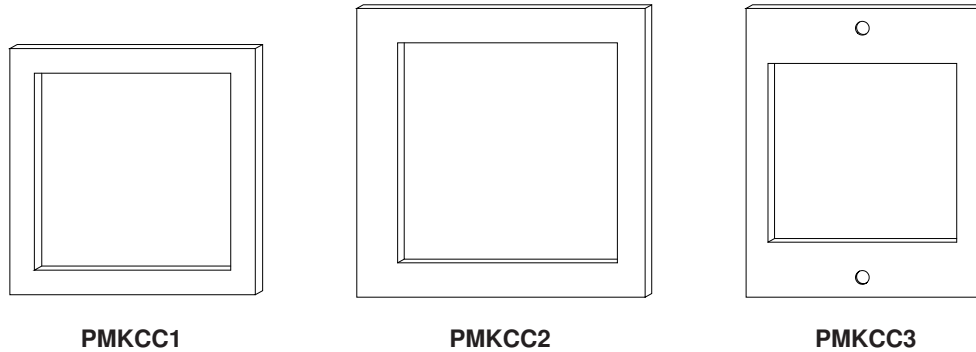
Tel: +86-755-8981 8866 Fax: +86-755-8427 6832

Email & Skype: info@chipsmall.com Web: www.chipsmall.com

Address: A1208, Overseas Decoration Building, #122 Zhenhua RD., Futian, Shenzhen, China



## INSTALLATION FOR 1/16 DIN PANEL MOUNT KITS



Three panel mount kits for 1/16 DIN meters are available to replace many existing meters on the market today. Kits come complete with adapter plates coated with a durable flat black polyurethane finish, mounting hardware, and gaskets.

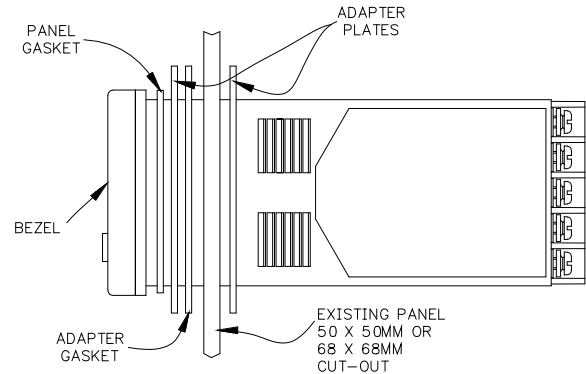
### PMKCC1 & PMKCC2

These panel mount kits adapt 1/16 DIN meters to either a 50 mm x 50 mm or a 68 mm x 68 mm panel cut-out. The kit consists of two metal panel adaptors, one neoprene gasket and 2 3-48 x 1/2" screws. The adapter plates and gasket are pinched between the front bezel of the meter and the mounting clip. The 1/2" long screws may be necessary for thicker panel installations.

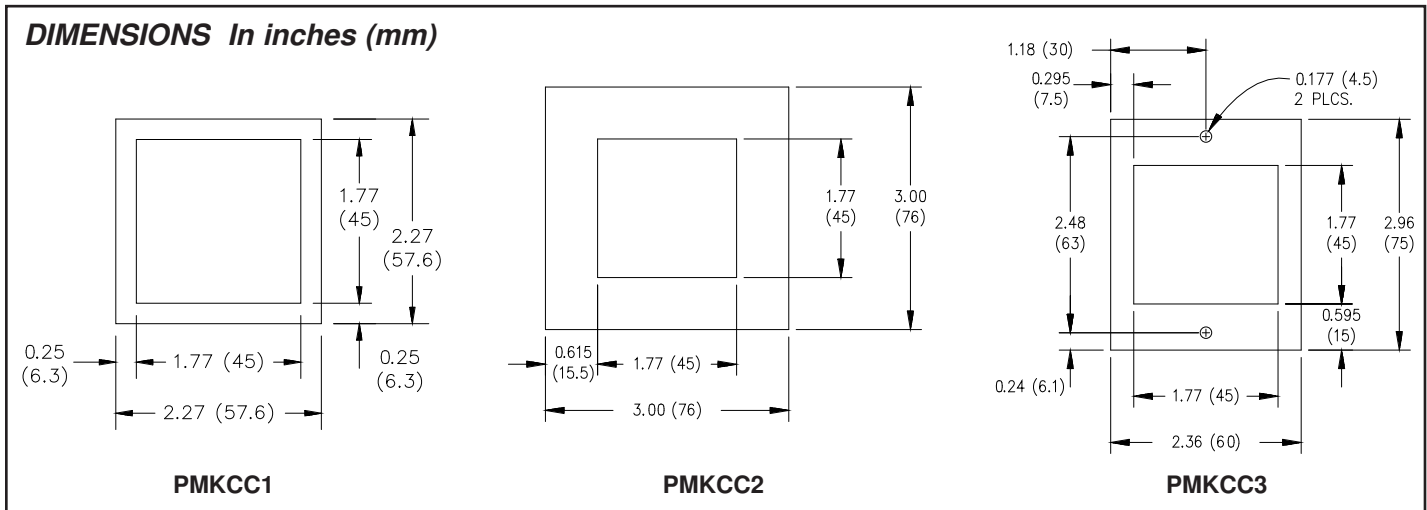
*Note: If room permits, make the wiring connections after the unit is mounted. If there is not enough room, pull the wires through before installing as described below:*

1. Pull the wires through the following items in order:
  - a) One panel adapter plate.
  - b) Through existing panel opening.
2. Slide the following items onto the counter.
  - a) Panel gasket
  - b) Adapter plate
  - c) Adapter gasket
3. Slide meter through panel cut-out from the front, and center in the panel opening.

5. Install the mounting clip. Tighten the screws moderately to "pinch" the gaskets and panels between the front bezel and the mounting clips.



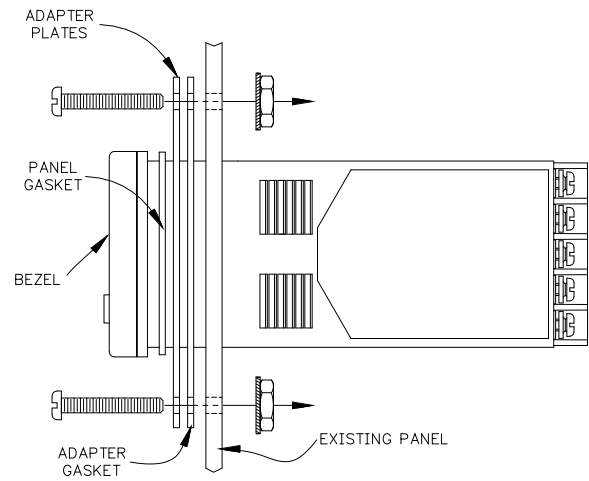
### DIMENSIONS In inches (mm)



## PMKCC3

For mounting proceed as follows:

1. Slide panel gasket over back of meter. (*Gasket is supplied in accessory bag with meter.*)
2. Slide meter onto adapter plate.
3. Slide adapter gasket onto meter.
4. Attach meter to adapter plate with mounting clip.
5. Place complete assembly over existing cut-out, lining up the adapter plate mounting holes with existing holes.
6. Use two mounting screws and nuts provided with Panel Adapter Kit to secure panel to existing cut-out.



## ORDERING INFORMATION

MODEL NO.	DESCRIPTION	PART NUMBER
PMKCC1	3-PIECE KIT permits mounting in existing 1.97" X 1.97" (50 mm x 50 mm) panel cut-outs O.A. 2.27" x 2.27" (57.6 mm x 57.6 mm)	PMKCC100
PMKCC2	3-PIECE KIT permits mounting in existing 2.68" x 2.68" (68 mm x 68 mm) panel cut-outs, O.A. 3" x 3" (76 mm x 76 mm)	PMKCC200
PMKCC3	2-PIECE KIT permits mounting in existing 2.36" x 2.95" (60 mm x 75 mm) panel cut-outs O.A. 2.36" x 2.96" (60 mm x 75 mm) Hole Centers 2.48" (63 mm)	PMKCC300

### LIMITED WARRANTY

The Company warrants the products it manufactures against defects in materials and workmanship for a period limited to two years from the date of shipment, provided the products have been stored, handled, installed, and used under proper conditions. The Company's liability under this limited warranty shall extend only to the repair or replacement of a defective product, at The Company's option. The Company disclaims all liability for any affirmation, promise or representation with respect to the products.

The customer agrees to hold Red Lion Controls harmless from, defend, and indemnify RLC against damages, claims, and expenses arising out of subsequent sales of RLC products or products containing components manufactured by RLC and based upon personal injuries, deaths, property damage, lost profits, and other matters which Buyer, its employees, or sub-contractors are or may be to any extent liable, including without limitation penalties imposed by the Consumer Product Safety Act (P.L. 92-573) and liability imposed upon any person pursuant to the Magnuson-Moss Warranty Act (P.L. 93-637), as now in effect or as amended hereafter.

No warranties expressed or implied are created with respect to The Company's products except those expressly contained herein. The Customer acknowledges the disclaimers and limitations contained herein and relies on no other warranties or affirmations.

Red Lion Controls  
Headquarters  
20 Willow Springs Circle  
York PA 17406  
Tel +1 (717) 767-6511  
Fax +1 (717) 764-0839

Red Lion Controls  
Europe  
Printerweg 10  
NL - 3821 AD Amersfoort  
Tel +31 (0) 334 723 225  
Fax +31 (0) 334 893 793

Red Lion Controls  
India  
54, Vishvas Tenement  
GST Road, New Ranip,  
Ahmedabad-382480 Gujarat, India  
Tel +91 987 954 0503  
Fax +91 79 275 31 350

Red Lion Controls  
China  
Unit 101, XinAn Plaza  
Building 13, No.99 Tianzhou Road  
ShangHai, P.R. China 200223  
Tel +86 21 6113-3688  
Fax +86 21 6113-3683