



Chipsmall Limited consists of a professional team with an average of over 10 year of expertise in the distribution of electronic components. Based in Hongkong, we have already established firm and mutual-benefit business relationships with customers from,Europe,America and south Asia,supplying obsolete and hard-to-find components to meet their specific needs.

With the principle of “Quality Parts,Customers Priority,Honest Operation,and Considerate Service”,our business mainly focus on the distribution of electronic components. Line cards we deal with include Microchip,ALPS,ROHM,Xilinx,Pulse,ON,Everlight and Freescale. Main products comprise IC,Modules,Potentiometer,IC Socket,Relay,Connector.Our parts cover such applications as commercial,industrial, and automotives areas.

We are looking forward to setting up business relationship with you and hope to provide you with the best service and solution. Let us make a better world for our industry!



Contact us

Tel: +86-755-8981 8866 Fax: +86-755-8427 6832

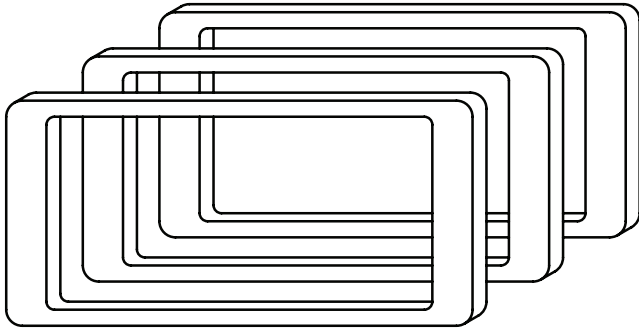
Email & Skype: info@chipsmall.com Web: www.chipsmall.com

Address: A1208, Overseas Decoration Building, #122 Zhenhua RD., Futian, Shenzhen, China

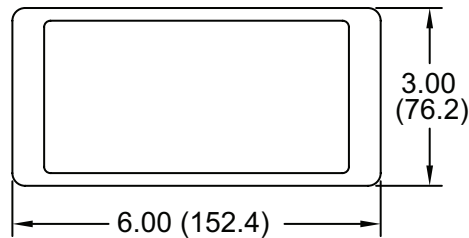


GEMINI SERIES PANEL ADAPTER KIT FOR DIN PANEL CUT-OUTS

The Gemini Series panel adapter kit permits the mounting of the Gemini unit to an existing 68 mm x 138 mm DIN standard panel cut-out. The kit consists of two metal adapter plates coated with a durable flat black polyurethane finish, and a neoprene gasket, which provides a sealed front panel that meets NEMA 4/IP65 specifications when properly installed.

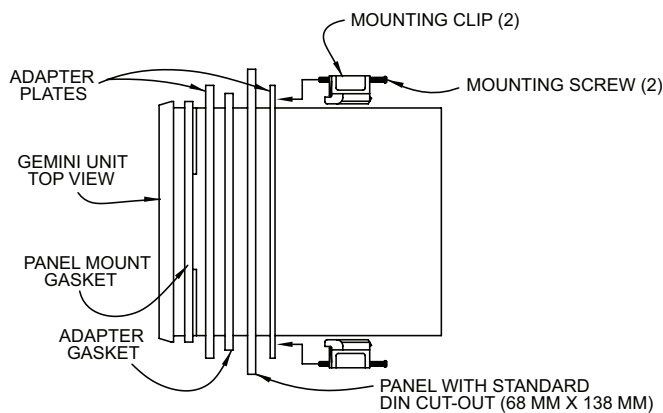


DIMENSIONS In inches (mm)



Note:
 An overall panel area of 3" x 6" is required for proper mounting.

INSTALLATION



1. Remove the backing from the adhesive side of the adapter gasket (*included with adapter kit*) and carefully stick the gasket to the front of the existing panel cut-out.
2. Apply the standard panel mount gasket (*provided with the Gemini unit*) to one of the adapter plates and slide the plate over the Gemini unit. (*Gasket side must be facing the bezel.*)
3. Insert the Gemini unit into the panel cut-out from the front and slide the remaining adapter plate over the Gemini unit from the rear.
4. Install the two mounting clips (*provided with the Gemini unit*) as per the instructions in the Gemini manual. Install the screws into the mounting clips and tighten them evenly to apply uniform compression and to provide a water-tight seal.

CAUTION: Only minimum pressure is required to seal the panel. Do **NOT** overtighten the mounting screws.

ORDERING INFORMATION

MODEL NO.	DESCRIPTION	PART NUMBER
PMKG1	3-PIECE KIT permits mounting to existing 2.67" x 5.43" (68 mm x 138 mm) Panel cut-out, O.A. DIM. 3" x 6" (76.2 mm x 152.4 mm)	PMKG1000

Red Lion Controls
 Headquarters
 20 Willow Springs Circle
 York PA 17406
 Tel +1 (717) 767-6511
 Fax +1 (717) 764-0839

Red Lion Controls
 Europe
 Softwareweg 9
 NL - 3821 BN Amersfoort
 Tel +31 (0) 334 723 225
 Fax +31 (0) 334 893 793

Red Lion Controls
 India
 201-B, 2nd Floor, Park Centra
 Opp 32 Mile Stone, Sector-30
 Gurgaon-122002 Haryana, India
 Tel +91 984 487 0503

Red Lion Controls
 China
 Unit 1102, XinMao Plaza
 Building 9, No.99 Tianzhou Road
 ShangHai, P.R. China 200223
 Tel +86 21 6113 3688
 Fax +86 21 6113 3683