



Chipsmall Limited consists of a professional team with an average of over 10 year of expertise in the distribution of electronic components. Based in Hongkong, we have already established firm and mutual-benefit business relationships with customers from,Europe,America and south Asia,supplying obsolete and hard-to-find components to meet their specific needs.

With the principle of "Quality Parts,Customers Priority,Honest Operation,and Considerate Service",our business mainly focus on the distribution of electronic components. Line cards we deal with include Microchip,ALPS,ROHM,Xilinx,Pulse,ON,Everlight and Freescale. Main products comprise IC,Modules,Potentiometer,IC Socket,Relay,Connector.Our parts cover such applications as commercial,industrial, and automotives areas.

We are looking forward to setting up business relationship with you and hope to provide you with the best service and solution. Let us make a better world for our industry!



Contact us

Tel: +86-755-8981 8866 Fax: +86-755-8427 6832

Email & Skype: info@chipsmall.com Web: www.chipsmall.com

Address: A1208, Overseas Decoration Building, #122 Zhenhua RD., Futian, Shenzhen, China

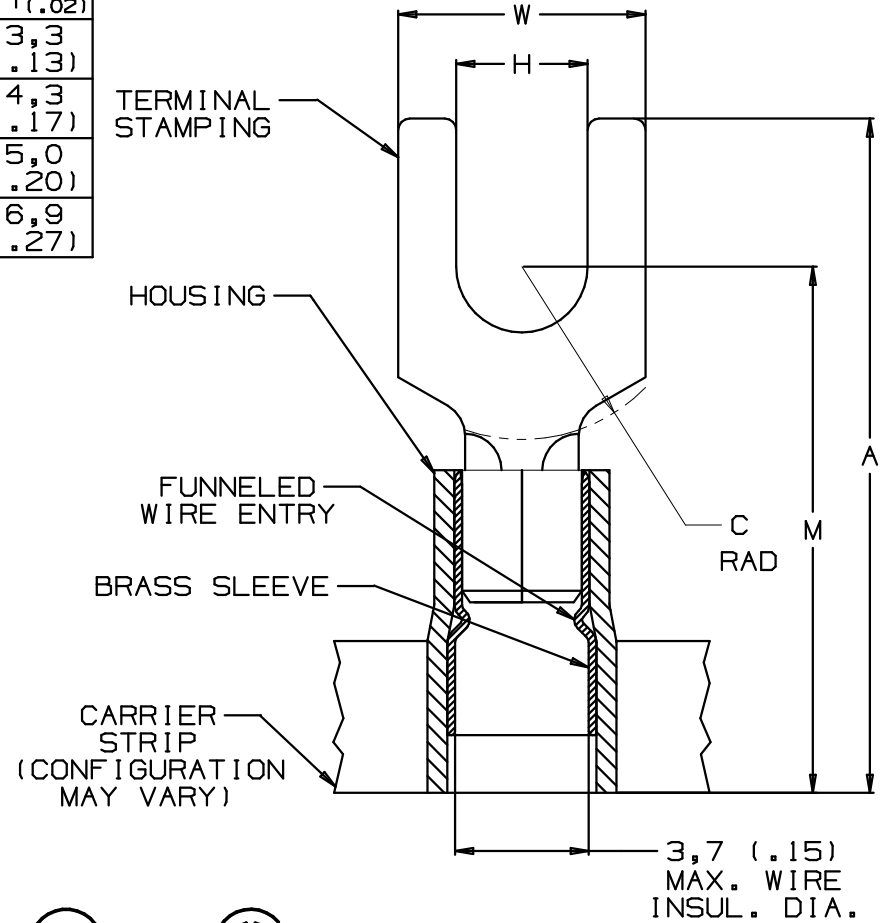


THIS COPY IS PROVIDED ON A RESTRICTED BASIS AND IS NOT TO BE USED IN ANY WAY DETRIMENTAL TO THE INTERESTS OF PANDUIT CORP.

PART NUMBER	STUD SIZE	WIRE RANGE mm ² (AWG)	DIMENSIONS mm				
			A [±] ,80 (.03)	W [±] ,25 (.01)	C [±] ,38 (.01)	M [±] ,50 (.02)	H [±] ,50 (.02)
PMNF1-3F-3K	M3	0,5-1,5 (22-18)	20,0 (.79)	5,9 (.23)	5,0 (.20)	16,5 (.65)	3,3 (.13)
PMNF1-4F-3K	M4	0,5-1,5 (22-18)	21,6 (.85)	8,2 (.32)	5,8 (.23)	17,3 (.68)	4,3 (.17)
PMNF1-5F-3K	M5	0,5-1,5 (22-18)	21,8 (.86)	8,9 (.35)	6,3 (.25)	17,8 (.70)	5,0 (.20)
PMNF1-6F-3K	M6	0,5-1,5 (22-18)	26,4 (1.04)	11,2 (.44)	8,4 (.33)	20,1 (.79)	6,9 (.27)

NOTES:

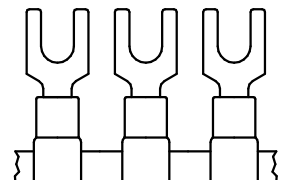
- USED FOR:
 - 600V MAX. BUILDING WIRE
1000V MAX. IN SIGNS FIXTURES, AND LUMINAIRES
 - 105°C (221°F) MAX. TEMP. RATING OF INSUL MAT'L
 - SOLID OR STRANDED COPPER WIRE
- PACKAGE QTY:
3K = 3000 PCS. ON CONTINUOUSLY MOLDED CARRIER STRIP
- MATERIAL:
 - STAMPING: ,81 (.03)THK. COPPER, TIN PLATED
 - SLEEVE: BRASS, TIN PLATED
 - HOUSING: TYPE 6/6 NYLON, RED
- WIRE STRIP LENGTH: $6,4^{+8}_{-0}$ ($1/4^{+1/32}_{-0}$)
- DIMENSIONS IN BRACKETS ARE IN INCHES OR AWG
- UL LISTED AND CSA CERTIFIED WITH COPPER 22-18AWG WIRE ONLY



		PANDUIT PRESS					
		CP-851 <i>DISCONTINUED</i>	CP-860 <i>DISCONTINUED</i>	CP-861	CP-862	CP-871 60HZ	CP-871/E 50HZ
APPLICATORS	CA-800		X	X			
	CA-800EZ	X				X	X
	CA9				X	X	X

UL LISTED 587H E52164

CSA CERTIFIED LR31212



A41604_01

				PANDUIT CORP. TINLEY PARK, ILLINOIS		
01	3/06	DAW	DAW	ADDED PANDUIT PRESS & APPLICATOR CHART	TRO0083	
00	9/97	JKD	WJB	RELEASED	6191	LCA DBH
REV	DATE	BY	CHK	DESCRIPTION	ECN #	CUST PM
					TSM	CHK'D
				SCALE	NONE	DRAWING NO. A41604

0,5-1,5 mm² METRIC CONTINUOUSLY MOLDED, NYLON INSULATED, FUNNEL ENTRY FORK TERMINAL