



Chipsmall Limited consists of a professional team with an average of over 10 year of expertise in the distribution of electronic components. Based in Hongkong, we have already established firm and mutual-benefit business relationships with customers from,Europe,America and south Asia,supplying obsolete and hard-to-find components to meet their specific needs.

With the principle of “Quality Parts,Customers Priority,Honest Operation,and Considerate Service”,our business mainly focus on the distribution of electronic components. Line cards we deal with include Microchip,ALPS,ROHM,Xilinx,Pulse,ON,Everlight and Freescale. Main products comprise IC,Modules,Potentiometer,IC Socket,Relay,Connector.Our parts cover such applications as commercial,industrial, and automotives areas.

We are looking forward to setting up business relationship with you and hope to provide you with the best service and solution. Let us make a better world for our industry!



## Contact us

Tel: +86-755-8981 8866 Fax: +86-755-8427 6832

Email & Skype: info@chipsmall.com Web: www.chipsmall.com

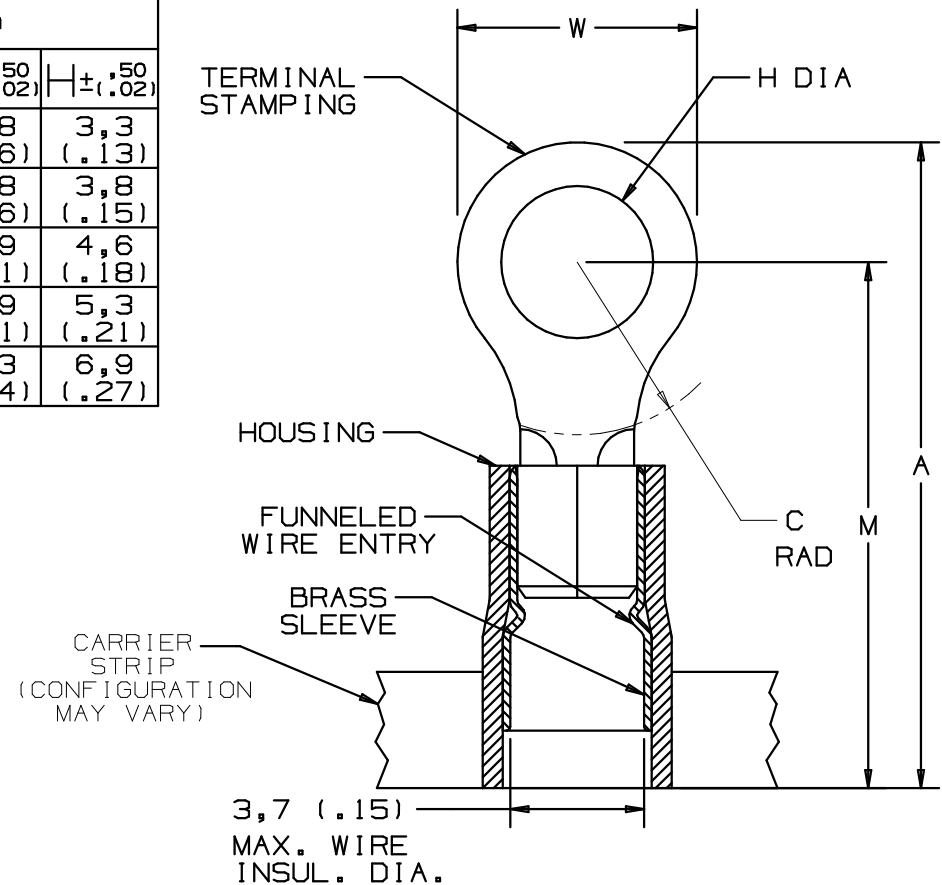
Address: A1208, Overseas Decoration Building, #122 Zhenhua RD., Futian, Shenzhen, China



PART NUMBER	STUD SIZE	WIRE RANGE mm <sup>2</sup> (AWG)	DIMENSIONS mm				
			A ± .080 (.03)	W ± .25 (.01)	C ± .38 (.01)	M ± .50 (.02)	H ± .50 (.02)
PMNF 1-3R-3K	M3	0,5-1,5 (22-18)	19,3 (.76)	5,8 (.23)	5,2 (.20)	16,8 (.66)	3,3 (.13)
PMNF 1-35R-3K	M3,5	0,5-1,5 (22-18)	19,3 (.76)	5,8 (.23)	5,2 (.20)	16,8 (.66)	3,8 (.15)
PMNF 1-4R-3K	M4	0,5-1,5 (22-18)	21,9 (.86)	7,9 (.31)	6,4 (.25)	17,9 (.71)	4,6 (.18)
PMNF 1-5R-3K	M5	0,5-1,5 (22-18)	22,4 (.88)	8,9 (.35)	6,4 (.25)	17,9 (.71)	5,3 (.21)
PMNF 1-6R-3K	M6	0,5-1,5 (22-18)	26,7 (1.05)	10,9 (.43)	9,7 (.38)	21,3 (.84)	6,9 (.27)

NOTES:

- USED FOR:
  - A. 600V MAX. BUILDING WIRE  
1000V MAX. IN SIGNS, FIXTURES, AND LUMINAIRES
  - B. 105°C (221°F) MAX. TEMP. RATING OF INSUL. MAT'L.
  - C. SOLID OR STRANDED COPPER WIRE
- PACKAGE QTY:  
3K = 3000 PCS. ON CONTINUOUSLY MOLDED CARRIER STRIP
- MATERIAL:
  - A. STAMPING: .81 (.03) THK. COPPER, TIN PLATED
  - B. SLEEVE: BRASS, TIN PLATED
  - C. HOUSING: TYPE 6/6 NYLON, RED
- WIRE STRIP LENGTH:  $6,4^{+,8}_{-0}$  ( $1/4^{+1/32}_{-0}$ )
- DIMENSIONS IN BRACKETS ARE IN INCHES OR AWG
- UL LISTED AND CSA CERTIFIED WITH COPPER 22-18AWG WIRE ONLY



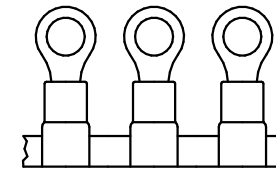
		PANDUIT PRESS					
		CP-851 <i>DISCONTINUED</i>	CP-860 <i>DISCONTINUED</i>	CP-861	CP-862	CP-871 60HZ	CP-871/E 50HZ
APPLICATORS	CA-800		X	X			
	CA-800EZ	X				X	X
	CA9				X	X	X



LISTED  
587H  
E52164



CERTIFIED  
LR31212



A41601\_01

**PANDUIT** CORP.

TINLEY PARK, ILLINOIS

01 3/06 DAW DAW ADDED PMNF1-35R-3K, ADDED PANDUIT PRESS AND APPLICATOR CHART TRO0083

00 9/97 TM RELEASED

0,5-1,5 mm<sup>2</sup> METRIC CONTINUOUSLY MOLDED, NYLON INSULATED, FUNNEL ENTRY RING TERMINAL

REV	DATE	BY	CHK	DESCRIPTION	ECN #	CUST	PM	DRAWN BY	CHK'D	SCALE	DRAWING NO.
								TSMA		NONE	A41601