



Chipsmall Limited consists of a professional team with an average of over 10 year of expertise in the distribution of electronic components. Based in Hongkong, we have already established firm and mutual-benefit business relationships with customers from,Europe,America and south Asia,supplying obsolete and hard-to-find components to meet their specific needs.

With the principle of “Quality Parts,Customers Priority,Honest Operation,and Considerate Service”,our business mainly focus on the distribution of electronic components. Line cards we deal with include Microchip,ALPS,ROHM,Xilinx,Pulse,ON,Everlight and Freescale. Main products comprise IC,Modules,Potentiometer,IC Socket,Relay,Connector.Our parts cover such applications as commercial,industrial, and automotives areas.

We are looking forward to setting up business relationship with you and hope to provide you with the best service and solution. Let us make a better world for our industry!



Contact us

Tel: +86-755-8981 8866 Fax: +86-755-8427 6832

Email & Skype: info@chipsmall.com Web: www.chipsmall.com

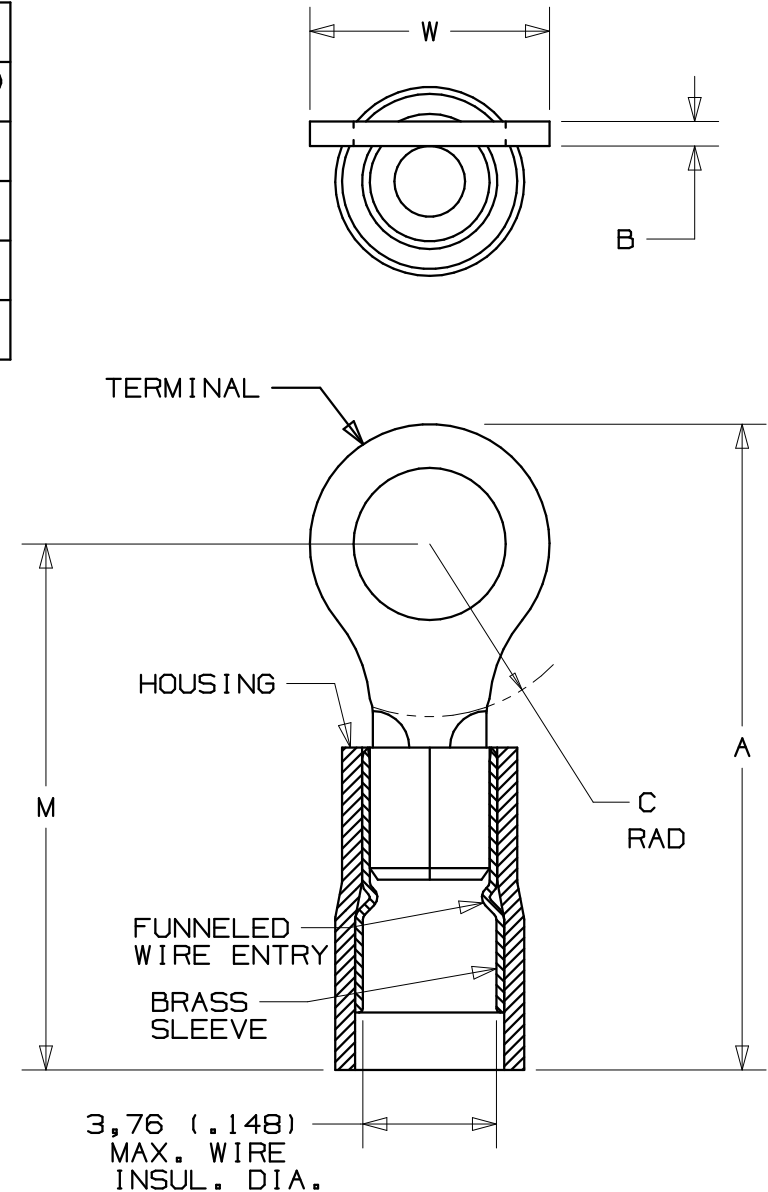
Address: A1208, Overseas Decoration Building, #122 Zhenhua RD., Futian, Shenzhen, China




PART NUMBER	STUD SIZE	WIRE RANGE mm ²	DIMENSIONS mm				
			A ±,50	W ±,25	C ±,38	B ±,25	M ±,50
PMNF1-3R	M3	0,5-1,5 (22-18)	19,30 (.76)	5,84 (.23)	5,33 (.21)	,81 (.03)	16,76 (.66)
PMNF1-4R	M4	0,5-1,5 (22-18)	21,59 (.85)	7,87 (.31)	6,35 (.25)	,81 (.03)	17,78 (.70)
PMNF1-5R	M5	0,5-1,5 (22-18)	21,84 (.86)	8,89 (.35)	6,35 (.25)	,81 (.03)	17,53 (.69)
PMNF1-6R	M6	0,5-1,5 (22-18)	26,67 (1.05)	10,92 (.43)	9,65 (.38)	,81 (.03)	21,34 (.84)

NOTES:

- USED FOR:
 - A. 600V MAX. VOLTAGE RATING
 - B. 105°C (221°F) MAX. TEMP. RATING
 - C. STRANDED COPPER WIRE
- PACKAGE QTY:
 - A. -X =10, -C =100, -M =1000
- MATERIAL:
 - A. STAMPING: COPPER, TIN PLATED
 - B. HOUSING: NYLON, RED
- WIRE STRIP LENGTH: $5,6^{+,8}_{-0}$ ($7/32^{+1/32}_{-0}$)
- INSTALLATION TOOLS: REF DWGS.
A41522, A41523, A41524, A41525
- DIMENSIONS IN BRACKETS ARE IN INCHES OR AWG



A41539_03

03	10/06	DAW	DAW	ADDED -X PACKAGE QTY.	TRO0171	LCA	TRO	 TINLEY PARK, ILLINOIS
02	10/97	TM	WJB	CHANGED DECIMAL POINTS TO COMMAS	06431	LCA	DH	
01	9/96	JB	RS	UPDATE DIMENSIONS	05056	LA	DH	
00	2/92	DL	SJ	RELEASED	00816	LA	KS	
REV	DATE	BY	CHK	DESCRIPTION	ECN #	CUST	PM	DRAWN BY DRL CHK'D DL SCALE NONE DRAWING NO. A41539

PANDUIT

TINLEY PARK, ILLINOIS

0,5-1,5 mm² METRIC NYLON INSULATED,
FUNNELED ENTRY RING TERMINAL

DRAWN BY **DRL** CHK'D **DL** SCALE **NONE** DRAWING NO. **A41539**