



Chipsmall Limited consists of a professional team with an average of over 10 year of expertise in the distribution of electronic components. Based in Hongkong, we have already established firm and mutual-benefit business relationships with customers from,Europe,America and south Asia,supplying obsolete and hard-to-find components to meet their specific needs.

With the principle of “Quality Parts,Customers Priority,Honest Operation,and Considerate Service”,our business mainly focus on the distribution of electronic components. Line cards we deal with include Microchip,ALPS,ROHM,Xilinx,Pulse,ON,Everlight and Freescale. Main products comprise IC,Modules,Potentiometer,IC Socket,Relay,Connector.Our parts cover such applications as commercial,industrial, and automotives areas.

We are looking forward to setting up business relationship with you and hope to provide you with the best service and solution. Let us make a better world for our industry!



Contact us

Tel: +86-755-8981 8866 Fax: +86-755-8427 6832

Email & Skype: info@chipsmall.com Web: www.chipsmall.com

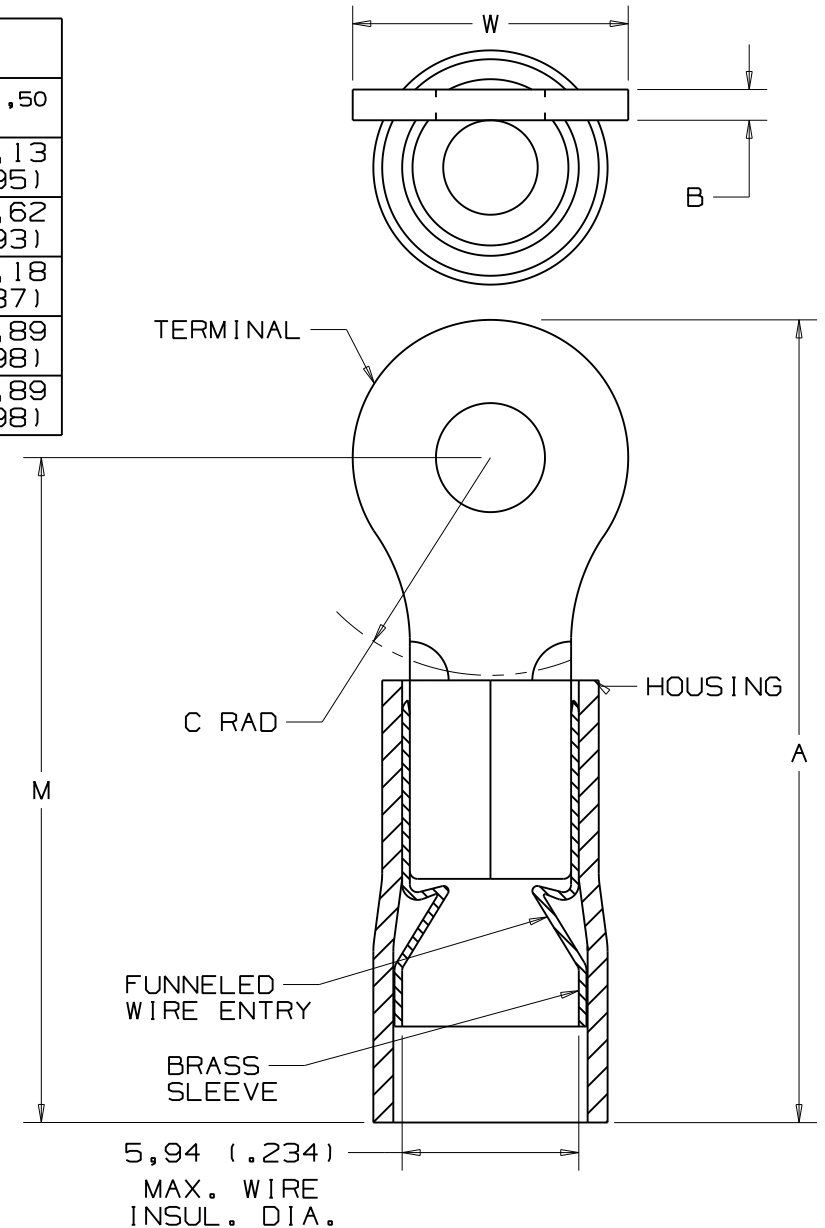
Address: A1208, Overseas Decoration Building, #122 Zhenhua RD., Futian, Shenzhen, China



PART NUMBER	STUD SIZE	WIRE RANGE mm ²	DIMENSIONS mm				
			A ±.50	W ±.25	C ±.38	B ±.25	M ±.50
PMNF6-3R	M3	*2,5-6,0 (12-10)	26,67 (1.05)	5,84 (.23)	9,14 (.36)	1,02 (.04)	24,13 (.95)
PMNF6-4R	M4	*2,5-6,0 (12-10)	27,43 (1.08)	7,87 (.31)	9,14 (.36)	1,02 (.04)	23,62 (.93)
PMNF6-5R	M5	*2,5-6,0 (12-10)	27,04 (1.06)	9,65 (.38)	9,14 (.36)	1,02 (.04)	22,18 (.87)
PMNF6-6R	M6	*2,5-6,0 (12-10)	30,23 (1.19)	10,92 (.43)	10,92 (.43)	1,02 (.04)	24,89 (.98)
PMNF6-8R	M8	*2,5-6,0 (12-10)	31,50 (1.24)	13,21 (.52)	10,92 (.43)	1,02 (.04)	24,89 (.98)

NOTES:

- USED FOR:
 - 600V MAX. VOLTAGE RATING
 - 105°C (221°F) MAX. TEMP. RATING
 - SOLID & STRANDED COPPER WIRE
 - WIRE RANGE; 4,0-6,0mm² FOR CT-1551M
- SEE www.panduit.com FOR PART NUMBER SUFFIX DESIGNATION FOR PACKAGE SIZE.
- MATERIAL:
 - STAMPING: ETP 110 COPPER, TIN PLATED
 - HOUSING: TYPE 6/6 NYLON, YELLOW
- WIRE STRIP LENGTH: $7,1 \begin{smallmatrix} +,8 \\ -0 \end{smallmatrix}$ ($9/32 \begin{smallmatrix} +1/32 \\ -0 \end{smallmatrix}$)
- INSTALLATION TOOLS: REF. DWGS. A41522, A41523, A41524, A41525
- DIMENSIONS IN BRACKETS ARE IN INCHES OR AWG



08	5/11	SRB		Revised note #2					
REV	DATE	BY	CHK	DESCRIPTION	ECN #	CUST	PM		

PANDUIT CORP. TINLEY PARK, ILLINOIS

2,5-6,0 mm² METRIC NYLON INSULATED, FUNNELED ENTRY RING TERMINAL

DRAWN BY: BDK CHK'D: LM SCALE: NONE DRAWING NO.: A41515