



Chipsmall Limited consists of a professional team with an average of over 10 year of expertise in the distribution of electronic components. Based in Hongkong, we have already established firm and mutual-benefit business relationships with customers from,Europe,America and south Asia,supplying obsolete and hard-to-find components to meet their specific needs.

With the principle of “Quality Parts,Customers Priority,Honest Operation,and Considerate Service”,our business mainly focus on the distribution of electronic components. Line cards we deal with include Microchip,ALPS,ROHM,Xilinx,Pulse,ON,Everlight and Freescale. Main products comprise IC,Modules,Potentiometer,IC Socket,Relay,Connector.Our parts cover such applications as commercial,industrial, and automotives areas.

We are looking forward to setting up business relationship with you and hope to provide you with the best service and solution. Let us make a better world for our industry!



Contact us

Tel: +86-755-8981 8866 Fax: +86-755-8427 6832

Email & Skype: info@chipsmall.com Web: www.chipsmall.com

Address: A1208, Overseas Decoration Building, #122 Zhenhua RD., Futian, Shenzhen, China



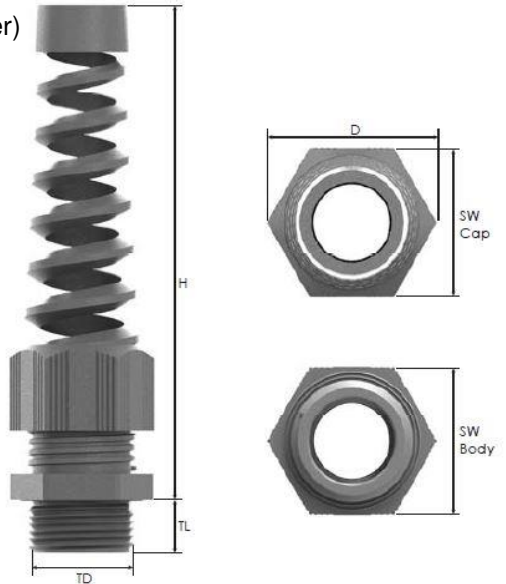
ALPHA WIRE COMPANY
CUSTOMER PRODUCT SPECIFICATION

Part Numbers: PMS12-PMS25
Spec Number: PMS METRIC
Page 1 of 1 Pages

Issue: 2
Issue Date: 02/27/2018
Effective Date: 02/27/2018

A. Technical Details

- 1) Material
 - a) Body PA 6 (Polyamide 6)
 - b) Cap PA 6 (Polyamide 6)
 - c) Seal CR (Chloroprene Rubber)
- 2) Color
 - a) Gray, RAL 7001
 - b) Black, RAL 9005
- 3) Protection Class
 - a) IP 68 5 Bar, 30 min
 - b) IP 66
- 4) Flammability
 - a) V2 (According to UL94)
- 5) Temperature Rating
 - a) Permanent -20°C to +100°C
 - b) Intermittent -30°C to +150°C
- 6) Thread Type
 - a) Metric according to EN 60423
- 7) Approvals
 - a) UL UL 514
 - b) CSA CSA C22.2



Size	Clamping Range Ø min-max mm	Thread Length TL mm	Thread Ø TD mm	Spanner Width		Outer Ø D mm	Height H mm	Part Number
				SW CAP mm	SW BODY mm			
M-12x1.5	3,0-6,5	8	12,0	15	15	17,1	57,0	PMS12
M-16x1.5	5,0-10,0	10	16,0	22	22	25,2	81,5	PMS16
M-20x1.5	10,0-14,0	10	20,0	27	27	31,0	106,0	PMS20
M-25x1.5	13,0-18,0	10	25,0	33	33	38,0	117,5	PMS25

B. Packaging Requirements

- 1) Standard Package 10 glands per package

Although Alpha Wire ("Alpha") makes every reasonable effort to ensure their accuracy at the time of publication, information and specifications described herein are subject to errors or omissions and to changes without notice, and the listing of such information and specifications does not ensure product availability.
Alpha provides the information and specifications herein on an "AS IS" basis, with no representations or warranties, whether express, statutory or implied. In no event will Alpha be liable for any damages (including consequential, indirect, incidental, special, punitive, or exemplary) whatsoever, even if Alpha has been advised of the possibility of such damages, whether in an action under contract, negligence or any other theory, arising out of or in connection with the use, or inability to use, the information or specifications described herein.