



Chipsmall Limited consists of a professional team with an average of over 10 year of expertise in the distribution of electronic components. Based in Hongkong, we have already established firm and mutual-benefit business relationships with customers from,Europe,America and south Asia,supplying obsolete and hard-to-find components to meet their specific needs.

With the principle of “Quality Parts,Customers Priority,Honest Operation,and Considerate Service”,our business mainly focus on the distribution of electronic components. Line cards we deal with include Microchip,ALPS,ROHM,Xilinx,Pulse,ON,Everlight and Freescale. Main products comprise IC,Modules,Potentiometer,IC Socket,Relay,Connector.Our parts cover such applications as commercial,industrial, and automotives areas.

We are looking forward to setting up business relationship with you and hope to provide you with the best service and solution. Let us make a better world for our industry!



## Contact us

Tel: +86-755-8981 8866 Fax: +86-755-8427 6832

Email & Skype: info@chipsmall.com Web: www.chipsmall.com

Address: A1208, Overseas Decoration Building, #122 Zhenhua RD., Futian, Shenzhen, China



# Photoelectrics Through-beam Type PMT

CARLO GAVAZZI



- Range: 20 m
- Adjustable sensitivity
- Modulated, infrared light
- Make or break switching function (switch selectable)
- LED-indication for power supply ON (emitter) and target detected (receiver)
- Multi supply voltage:  
12 to 240 VDC and  
24 to 240 VAC, 50/60 Hz
- 25 x 65 x 81 mm reinforced PC housing, IP 67
- Timer options (adjustable)



## Product Description

Through-beam photoelectric switch. Range up to 20 m. Adjustable sensitivity. Immune to ambient light. Precise detection through narrow beam. LED-indication. Output function switch selectable. Relay output (NO/NC). Protection

degree IP 67. Screw terminal connection. 25 x 65 x 81 mm plastic housing. PG 13.5 or 1/2" NPT cable gland. Timer options: Delay on operate, delay on release, one shot (triggered on leading or trailing edge).

## Ordering Key

**PMT20 R G T**

Type \_\_\_\_\_  
Receiver \_\_\_\_\_  
Cable gland \_\_\_\_\_  
Option: Timer function \_\_\_\_\_

## Type Selection

Housing W x H x D	Ordering no. Receiver without timer	Ordering no. Receiver with timer	Ordering no. Emitter
25 x 65 x 81 PG 13.5 cable gland 1/2" NPT cable gland	<b>PMT 20R G</b> <b>PMT 20R I</b>	<b>PMT 20R GT</b> <b>PMT 20R IT</b>	<b>PMT 20 G</b> <b>PMT 20 I</b>

## Specifications Emitter

<b>Rated operational volt. (U<sub>B</sub>)</b> AC: 45 to 65 Hz	10.8 to 264 VDC 21.6 to 264 VAC
<b>Rated operational power</b>	≤ 2 W (2.5 VA)
<b>Light source</b>	GaAlAs LED, 880 nm
<b>Light type</b>	Infrared, modulated
<b>Optical angle</b>	± 2°
<b>Indication</b> Power supply ON	LED, green

## Specifications Receiver

<b>Rated operational volt. (U<sub>B</sub>)</b> AC: 45 to 65 Hz	10.8 to 264 VDC 21.6 to 264 VAC
<b>Rated operational power</b> (Relay ON)	≤ 2 W (2.5 VA)
<b>Output</b>	μ (micro gap)
Contact ratings (AgCdO)	3 A/250 VAC
Resistive loads AC 1	3 A/30 VDC
DC 1	2 A/250 VAC
Small inductive loads AC 15	3 A/30 VDC
DC 13	≥ 40 x 10 <sup>6</sup> operations
Mechanical life	≥ 5 x 10 <sup>5</sup> operations
Electrical life	at 220 VAC - 3 A resistive load: 360 impulses/h
<b>Dielectric voltage</b>	2 kVAC (rms) (cont./supply)
<b>Sensitivity</b>	Adjustable, single turn pot.
<b>Optical angle</b>	± 2°
<b>Rated operating dist. (S<sub>n</sub>)</b> (0 to 5,000 lux)	20 m
<b>Operating frequency (f)</b>	20 Hz
<b>Response time</b> OFF-ON (t <sub>ON</sub> )	≤ 20 ms
ON-OFF (t <sub>OFF</sub> )	≤ 20 ms

## Specifications Receiver (cont.)

<b>Power ON delay ( t<sub>v</sub> )</b>	≤ 300 ms (typ. 100 ms)
<b>Output function</b>	Switch selectable, make or break switching
<b>Indication</b>	
Target detected (make swit.)	LED, yellow
Target not detected (break swit.)	LED, yellow
<b>Optional timer</b>	
Delay on operate	0.1 to 7 s ± 2 s
Delay on release	0.1 to 7 s ± 2 s
One shot	0.1 to 7 s ± 2 s

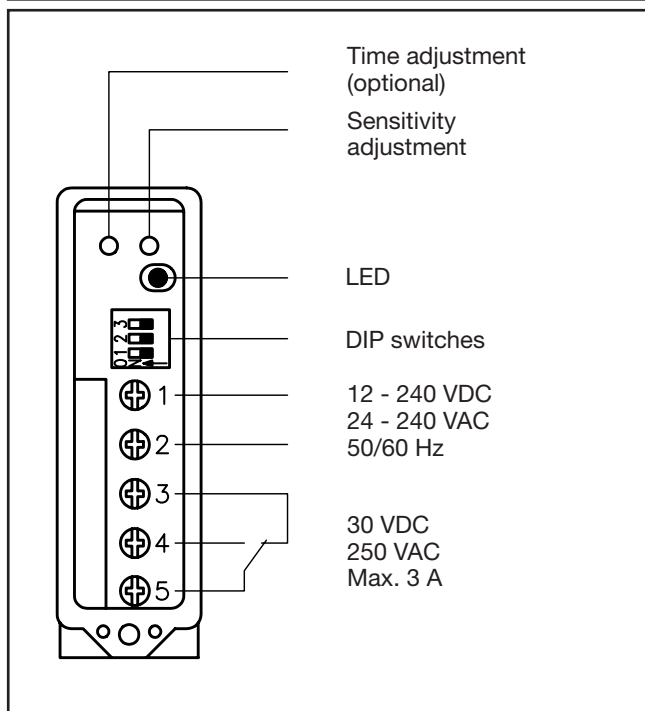
## General Specifications

<b>Environment</b>	
Overvoltage category	III (IEC 60664/60664A, 60947-1)
Pollution degree	3 (IEC 60664/60664A, 60947-1)
Degree of protection	IP 67 (IEC 60529, 60947-1)
<b>Temperature</b>	
Operating	-25° to +55°C (-13° to +131°F)
Storage	-30° to +80°C (-22° to +176°F)
<b>Vibration</b>	10 to 150 Hz, 0.5 mm/7.5 g (IEC 60068-2-6)
<b>Shock</b>	2 x 1 m & 100 x 0.5 m (IEC 60068-2-32)
<b>Rated insulation voltage</b>	250 VAC (rms)
<b>Housing material</b>	
Body	PC, grey, reinforced
Front	PC, black
Cover	PC, black
Cable gland	PA, black, reinforced
Mounting bracket	Steel, black
<b>Connection</b>	
Screw terminal	5 x 2 x 1 mm <sup>2</sup>
Cable gland	PG 13.5 or 1/2" NPT for cable 6 to 10 mm
<b>Weight</b>	
Emitter	110 g
Receiver	115 g
<b>Approvals</b>	UL, CSA
<b>CE-marking</b>	Yes

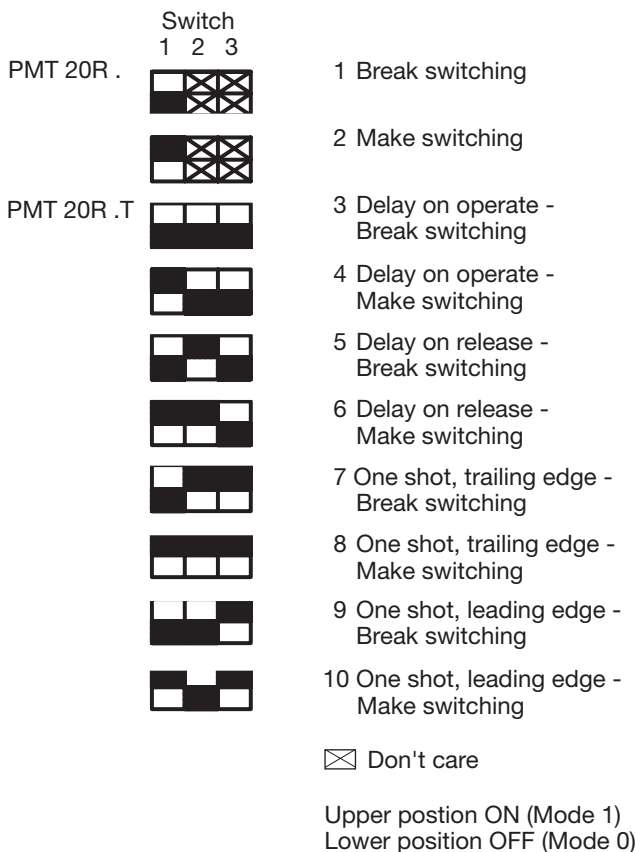
## Truth Table

	Make switching		Break switching	
	Yes	No	Yes	No
Object present	Yes	No	Yes	No
LED	OFF	ON	OFF	ON
Load	Non-active	Active	Active	Non-active

## Connection Diagram

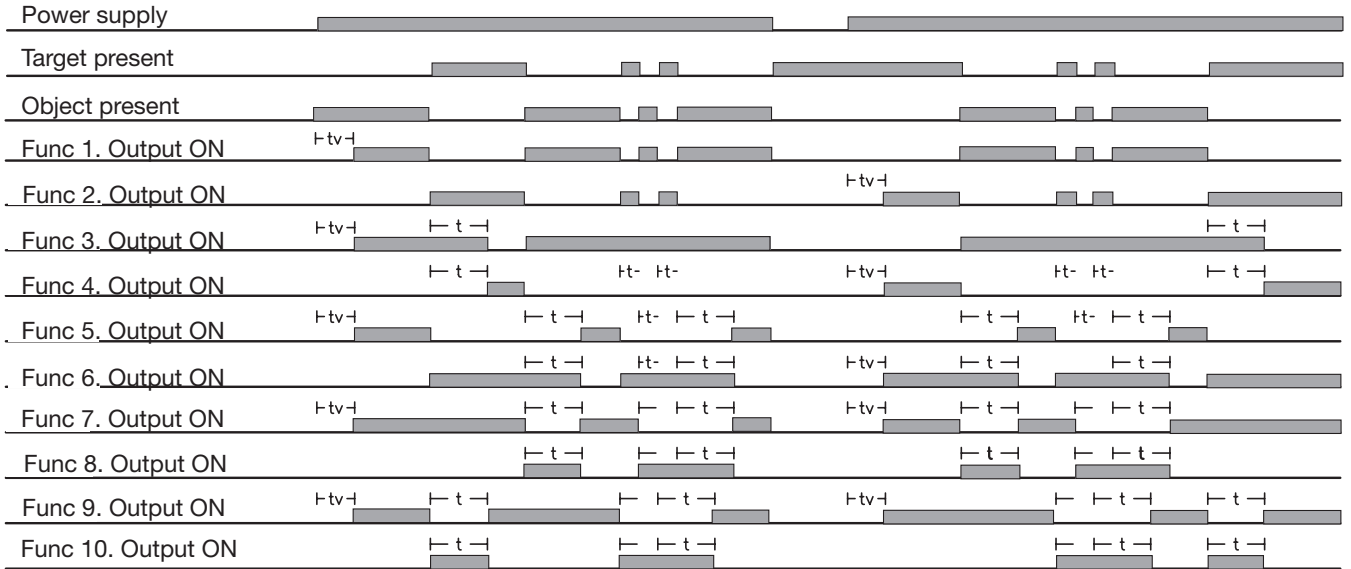


## Selection of Function

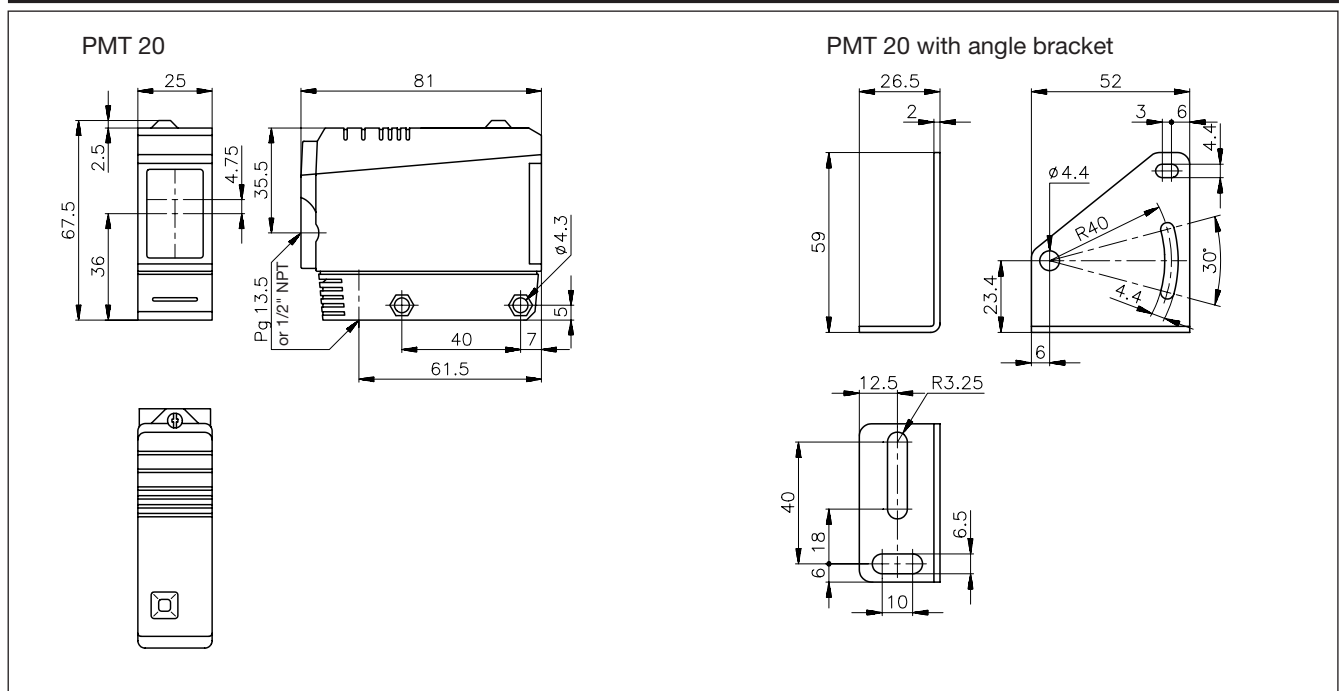


## Operation Diagram

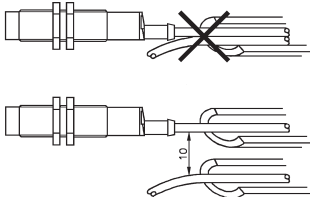
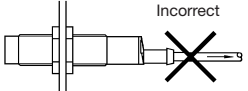

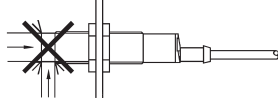
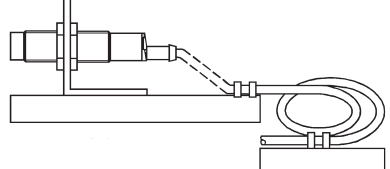
t = Time delay  
tv = Power ON delay



## Dimensions



## Installation Hints

<p>To avoid interference from inductive voltage/current peaks, separate the prox. switch power cables from any other power cables, e.g. motor, contactor or solenoid cables</p> 	<p>Relief of cable strain</p> <p>Incorrect</p>  <p>Correct</p>  <p>The cable should not be pulled</p>	<p>Protection of the sensing face</p>  <p>A proximity switch should not serve as mechanical stop</p>	<p>Switch mounted on mobile carrier</p>  <p>Any repetitive flexing of the cable should be avoided</p>
---	---	---	--

## Delivery Contents

- Photoelectric switch: PMT 20
- Cable gland
- Installation instruction
- Mounting bracket
- **Packaging:** Corrugated cardboard (environmentally friendly recycling material)

## Accessories

- MB02 (longer mounting bracket), please refer to "Accessories"