



Chipsmall Limited consists of a professional team with an average of over 10 year of expertise in the distribution of electronic components. Based in Hongkong, we have already established firm and mutual-benefit business relationships with customers from,Europe,America and south Asia,supplying obsolete and hard-to-find components to meet their specific needs.

With the principle of “Quality Parts,Customers Priority,Honest Operation,and Considerate Service”,our business mainly focus on the distribution of electronic components. Line cards we deal with include Microchip,ALPS,ROHM,Xilinx,Pulse,ON,Everlight and Freescale. Main products comprise IC,Modules,Potentiometer,IC Socket,Relay,Connector.Our parts cover such applications as commercial,industrial, and automotives areas.

We are looking forward to setting up business relationship with you and hope to provide you with the best service and solution. Let us make a better world for our industry!



## Contact us

Tel: +86-755-8981 8866 Fax: +86-755-8427 6832

Email & Skype: info@chipsmall.com Web: www.chipsmall.com

Address: A1208, Overseas Decoration Building, #122 Zhenhua RD., Futian, Shenzhen, China



# Photoelectrics Through-beam, Industrial Door Market Type PMT20.M, Mute Input

CARLO GAVAZZI



- Range: 20 m
- Modulated, infrared light
- LED-indication for power supply ON (emitter) and target detected (receiver)
- Multi supply voltage: 24 VDC and 24 VAC, 50/60 Hz
- 25 x 65 x 81 mm reinforced PC housing, IP 67
- CE, UL325 and UL508 approved



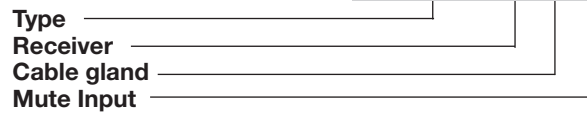
## Product Description

Through-beam photoelectric switch. Range up to 20 m. Immune to ambient light. Precise detection through narrow beam. LED-indication. Protection degree IP 67. Screw terminal connection. 25 x 65 x 81 mm plastic

housing. PG 13.5 or 1/2" NPT cable gland. With Mute Input on the transmitter the sensor fulfill EN12978

## Ordering Key

**PMT20 R G M**



## Type Selection

Housing W x H x D	Ordering no. Receiver without timer	Ordering no. Emitter
25 x 65 x 81 PG 13.5 cable gland 1/2" NPT cable gland	<b>PMT 20R GM</b> <b>PMT 20R IM</b>	<b>PMT 20 GM</b> <b>PMT 20 IM</b>

## Specifications Emitter

<b>Rated operational volt. (U<sub>B</sub>)</b> AC: 45 to 65 Hz	24 VDC ± 20% 24 VAC ± 20%
<b>Rated operational power</b>	≤ 1 W (1.2 VA)
<b>Light source</b>	GaAlAs LED, 880 nm
<b>Light type</b>	Infrared, modulated
<b>Optical angle</b>	± 2°
<b>Indication</b> Power supply ON	LED, green
<b>Output function</b>	Switch selectable, make or break switching

## Specifications Receiver

<b>Rated operational volt. (U<sub>B</sub>)</b> AC: 45 to 65 Hz	24 VDC ± 20% 24 VAC ± 20%
<b>Rated operational power</b> (Relay ON)	≤ 2 W (2.5 VA)
<b>Output</b>	
Contact ratings (AgCdO)	μ (micro gap)
Resistive loads	AC 1 3 A/250 VAC DC 1 3 A/30 VDC
Small inductive loads	AC 15 2 A/250 VAC DC 13 3 A/30 VDC
Mechanical life	≥ 40 x 10 <sup>6</sup> operations
Electrical life	≥ 5 x 10 <sup>5</sup> operations at 220 VAC - 3 A resistive load: 360 impulses/h
<b>Dielectric voltage</b>	2 kVAC (rms) (cont./supply)
<b>Sensitivity</b>	Adjustable, single turn pot.
<b>Optical angle</b>	± 2°
<b>Rated operating dist. (S<sub>n</sub>)</b> (0 to 5,000 lux)	20 m
<b>Operating frequency (f)</b>	20 Hz
<b>Response time</b>	OFF-ON (t <sub>ON</sub> ) ≤ 20 ms ON-OFF (t <sub>OFF</sub> ) ≤ 20 ms
<b>Power ON delay (t<sub>v</sub>)</b>	≤ 300 ms (typ. 100 ms)
<b>Output function</b>	Mute function




## General Specifications

<b>Environment</b>	
Overvoltage category	III (IEC 60664/60664A, 60947-1)
Pollution degree	3 (IEC 60664/60664A, 60947-1)
Degree of protection	IP 67 (IEC 60529, 60947-1)
<b>Temperature</b>	
Operating	-25° to +55°C (-13° to +131°F)
Storage	-30° to +80°C (-22° to +176°F)
<b>Vibration</b>	10 to 150 Hz, 0.5 mm/7.5 g (IEC 60068-2-6)
<b>Shock</b>	2 x 1 m & 100 x 0.5 m (IEC 60068-2-32)
<b>Housing material</b>	
Body	PC, grey, reinforced
Front	PC, black
Cover	PC, black
Cable gland	PA, black, reinforced
Mounting bracket	Steel, black
<b>Connection</b>	
Screw terminal	5 x 2 x 1 mm <sup>2</sup>
Cable gland	PG 13.5 or 1/2" NPT for cable 6 to 10 mm
<b>Weight</b>	
Emitter	110 g
Receiver	115 g
<b>UL-Approval</b>	cULus UL325, CSA-C22.2 No.247 cULus UL508
<b>CE-marking</b>	Yes

## Selection of Function

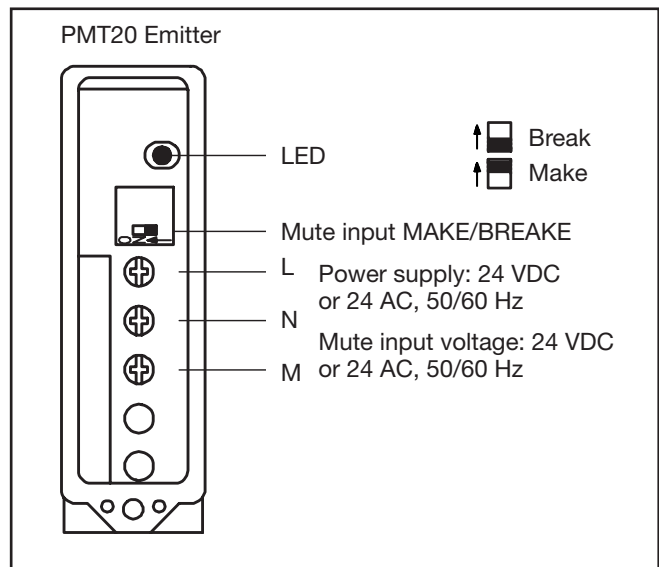
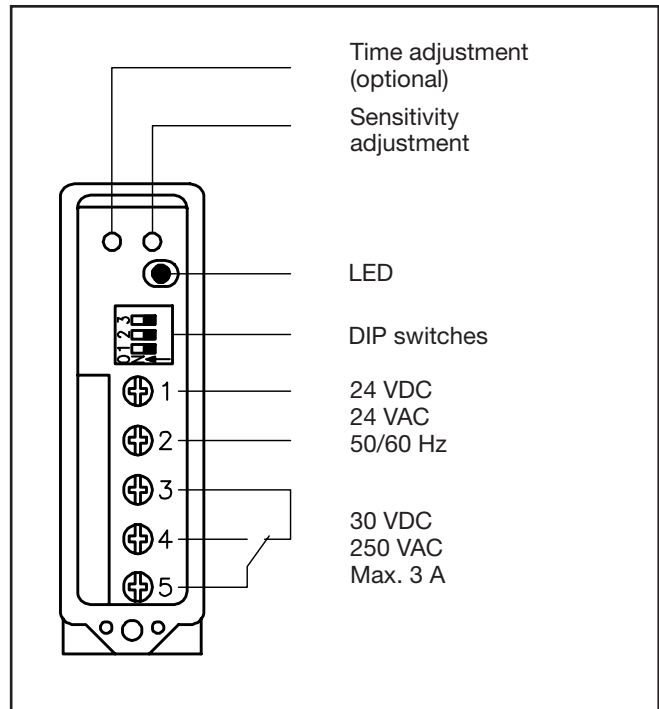
PMT 20R.M

Switch 1 2 3

	1 Break switching
	2 Make switching
	⊠ Don't care

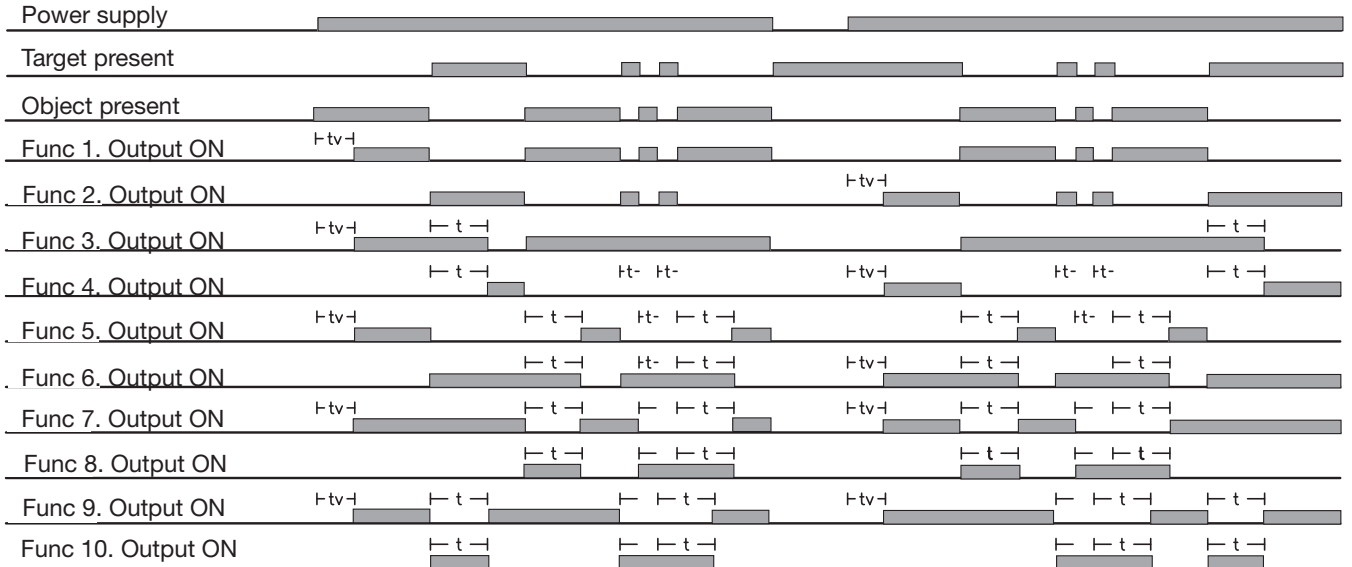
Upper position ON (Mode 1)  
Lower position OFF (Mode 0)

## Connection Diagram

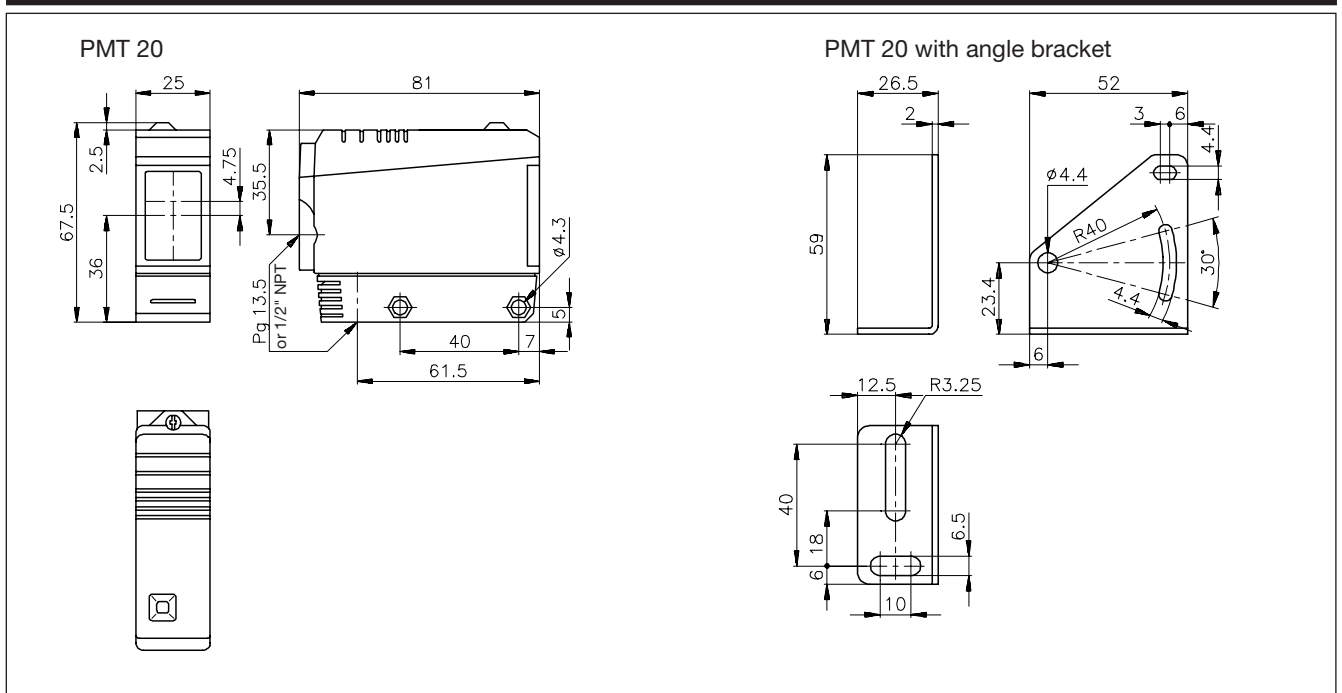


## Operation Diagram

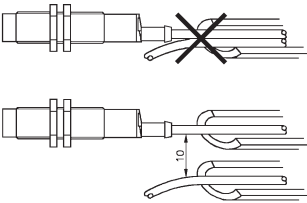
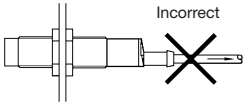

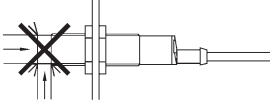
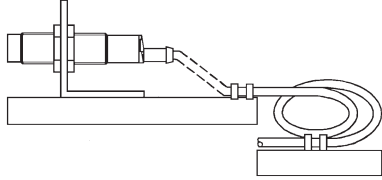
t = Time delay  
tv = Power ON delay



## Dimensions



## Installation Hints

<p><i>To avoid interference from inductive voltage/current peaks, separate the prox. switch power cables from any other power cables, e.g. motor, contactor or solenoid cables</i></p> 	<p><i>Relief of cable strain</i></p> <p>Incorrect</p>  <p>Correct</p>  <p>The cable should not be pulled</p>	<p><i>Protection of the sensing face</i></p>  <p>A proximity switch should not serve as mechanical stop</p>	<p><i>Switch mounted on mobile carrier</i></p>  <p>Any repetitive flexing of the cable should be avoided</p>
--	--	--	---

## Delivery Contents

- Photoelectric switch: PMT 20
- Cable gland
- Installation instruction
- Mounting bracket
- **Packaging:** Corrugated cardboard (environmentally friendly recycling material)

## Accessories

- MB02 (longer mounting bracket), please refer to "Accessories"