



Chipsmall Limited consists of a professional team with an average of over 10 year of expertise in the distribution of electronic components. Based in Hongkong, we have already established firm and mutual-benefit business relationships with customers from,Europe,America and south Asia,supplying obsolete and hard-to-find components to meet their specific needs.

With the principle of “Quality Parts,Customers Priority,Honest Operation,and Considerate Service”,our business mainly focus on the distribution of electronic components. Line cards we deal with include Microchip,ALPS,ROHM,Xilinx,Pulse,ON,Everlight and Freescale. Main products comprise IC,Modules,Potentiometer,IC Socket,Relay,Connector.Our parts cover such applications as commercial,industrial, and automotives areas.

We are looking forward to setting up business relationship with you and hope to provide you with the best service and solution. Let us make a better world for our industry!



Contact us

Tel: +86-755-8981 8866 Fax: +86-755-8427 6832

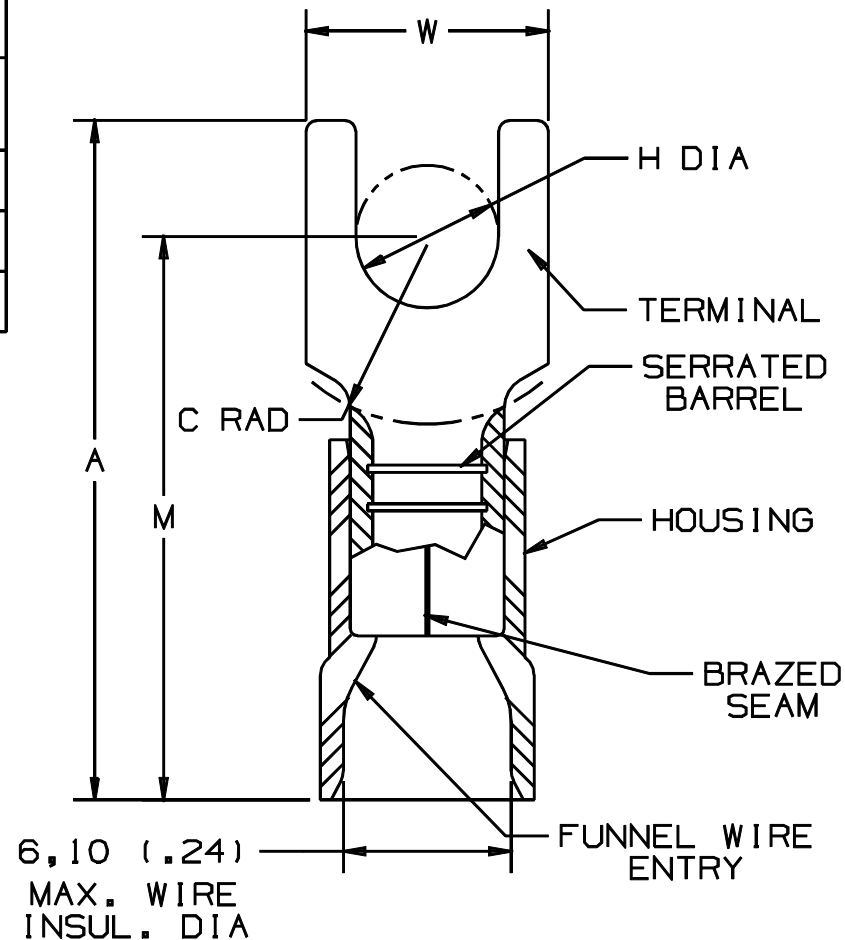
Email & Skype: info@chipsmall.com Web: www.chipsmall.com

Address: A1208, Overseas Decoration Building, #122 Zhenhua RD., Futian, Shenzhen, China



THIS COPY IS PROVIDED ON A RESTRICTED BASIS AND IS NOT TO BE USED IN ANY WAY DETRIMENTAL TO THE INTERESTS OF PANDUIT CORP.

PANDUIT PART #		STUD SIZE	DIMENSIONS mm				
PREFIX	PK		A ±0,51	W ±0,25	C ±0,38	M ±0,51	H ±0,25
PMV6-4F	-L -D	M4	26,42 (1.04)	8,13 (.32)	5,59 (.22)	20,57 (.81)	4,32 (.17)
PMV6-5F	-L -D	M5	26,42 (1.04)	9,65 (.38)	5,59 (.22)	20,57 (.81)	5,33 (.21)
PMV6-6F	-L -D	M6	29,46 (1.16)	10,92 (.43)	8,13 (.32)	23,11 (.91)	6,60 (.26)



NOTES:

- USED FOR:
 - A. 600V MAX. VOLTAGE RATING
 - B. 105°C (221°F) MAX. TEMP. RATING
 - C. 2,5-6,0mm² (#12-10 AWG) STRANDED, COPPER WIRE (4,0-6,0mm² WITH CT-1551M)
- MATERIAL:
 - A. STAMPING - 1,02mm (.04) THK COPPER, TIN PLATED
 - B. HOUSING - YELLOW VINYL
- DIMENSIONS IN BRACKETS ARE IN INCHES
- PACKAGE QTY:
 - A. STD: L=50
 - B. BULK: D=500
- WIRE STRIP LENGTH: 7,9 ^{+0,8} (5/16 ^{+1/32}) ₋₀ ₋₀
- INSTALLATION TOOLS: REF. DWGS. A41522, A41523, A41524, A41525

A41424_02

02	10/97	TM		CHANGED DECIMAL POINTS TO COMMAS				<p>TINLEY PARK, ILLINOIS</p> <p>2PC. VINYL INSULATED METRIC FORKS 2,5-6,0mm² BARREL</p>
01	3/97	JKD	SKB	ADDED CT-1551M TO NOTE, BRAZED SEAM WAS BUTTED, REMOVED "B" FROM PART NO.	05703	LA	DH	
00	7-90	BK	RLS	RELEASED	00687	LA	KRS	
REV	DATE	BY	CHK	DESCRIPTION	ECN #	CUST	PM	DRAWN BY BDK CHK'D RLS SCALE NONE DRAWING NO. A41424