



Chipsmall Limited consists of a professional team with an average of over 10 year of expertise in the distribution of electronic components. Based in Hongkong, we have already established firm and mutual-benefit business relationships with customers from,Europe,America and south Asia,supplying obsolete and hard-to-find components to meet their specific needs.

With the principle of “Quality Parts,Customers Priority,Honest Operation,and Considerate Service”,our business mainly focus on the distribution of electronic components. Line cards we deal with include Microchip,ALPS,ROHM,Xilinx,Pulse,ON,Everlight and Freescale. Main products comprise IC,Modules,Potentiometer,IC Socket,Relay,Connector.Our parts cover such applications as commercial,industrial, and automotives areas.

We are looking forward to setting up business relationship with you and hope to provide you with the best service and solution. Let us make a better world for our industry!



## Contact us

Tel: +86-755-8981 8866 Fax: +86-755-8427 6832

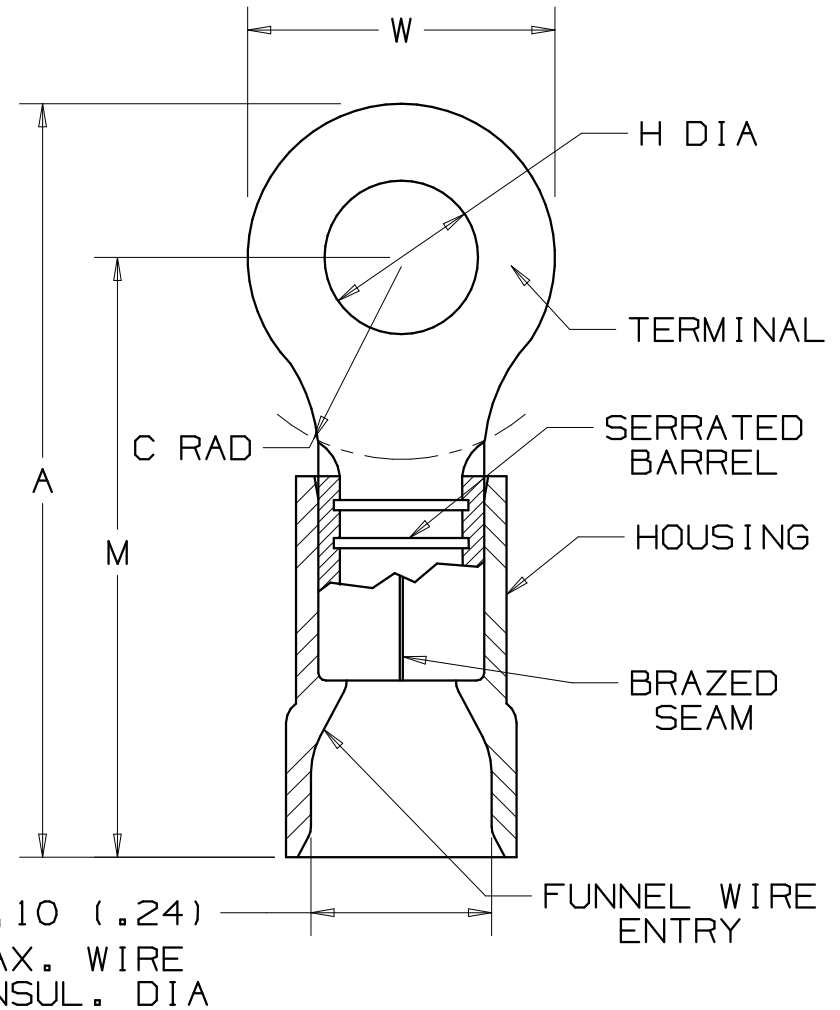
Email & Skype: info@chipsmall.com Web: www.chipsmall.com

Address: A1208, Overseas Decoration Building, #122 Zhenhua RD., Futian, Shenzhen, China



THIS COPY IS PROVIDED ON A RESTRICTED BASIS AND IS NOT TO BE USED IN ANY WAY DETRIMENTAL TO THE INTERESTS OF PANDUIT CORP.

PANDUIT PART #	STUD SIZE	DIMENSIONS mm				
		A ±0,51	W ±0,25	C ±0,38	M ±0,51	H ±0,25
PREFIX						
PMV6-3R	M3	26,06 (1.02)	5,84 (.23)	7,87 (.31)	22,61 (.89)	3,30 (.13)
PMV6-4R	M4	26,50 (1.04)	7,87 (.31)	7,87 (.31)	22,61 (.89)	4,57 (.18)
PMV6-5R	M5	27,10 (1.07)	9,50 (.37)	7,87 (.31)	22,61 (.89)	5,33 (.21)
PMV6-6R	M6	30,30 (1.19)	10,91 (.43)	9,65 (.38)	24,64 (.97)	6,86 (.27)
PMV6-8R	M8	31,38 (1.24)	13,18 (.52)	9,65 (.38)	24,64 (.97)	8,64 (.34)



NOTES :

- USED FOR :
  - A. 600 V MAX. VOLTAGE RATING
  - B. 105°C (221°F) MAX. TEMP. RATING
  - C. 2,5-6,0mm<sup>2</sup>, (#12-10 AWG), STRANDED COPPER WIRE (4,0-6,0mm<sup>2</sup> WITH CT-1551M)
- MATERIAL :
  - A. STAMPING - 1,02mm (.04) THK COPPER, TIN PLATED
  - B. HOUSING - YELLOW VINYL
- DIMENSIONS IN BRACKETS ARE IN INCHES
- PACKAGE QTY:
  - A. -X =10, -L =50, -D =500
- WIRE STRIP LENGTH:  $7,9^{+,8}_{-0}$  ( $5/16^{+1/32}_{-0}$ )
- INSTALLATION TOOLS: REF. DWGS. A41522, A41523, A41524, A41525

04	10/06	DAW	DAW	ADDED -X PACKAGE QTY.	TRO0171	TRO	LCA
03	10/97	JAMB	WJB	CHANGED PERIODS TO COMMAS ON ALL METRIC DIMENSIONS.	06431	DBH	LCA
02	2/97	JKD	SKB	REMOVED B FROM PART NUMBER, BRAZED SEAM WAS BUTTED, ADDED CT-1551M TO NOTE	05699	DBH	LA
01	1/97	TM	RLS	UPDATE DIMENSIONS FILESPEC WAS NPC_A41422-00	05478	DBH	LA
00	10/91	BK	RLS	RELEASED	00687	KRS	LA
REV	DATE	BY	CHK	DESCRIPTION	ECN #	PM	CUST

A41422\_04

**PANDUIT** CORP.

TINLEY PARK, ILLINOIS

2PC. VINYL INSULATED METRIC RINGS  
2,5-6,0mm<sup>2</sup> BARREL

DRAWN BY	CHK'D	SCALE	DRAWING NO.
BDK	LA	NONE	A41422