



Chipsmall Limited consists of a professional team with an average of over 10 year of expertise in the distribution of electronic components. Based in Hongkong, we have already established firm and mutual-benefit business relationships with customers from,Europe,America and south Asia,supplying obsolete and hard-to-find components to meet their specific needs.

With the principle of “Quality Parts,Customers Priority,Honest Operation,and Considerate Service”,our business mainly focus on the distribution of electronic components. Line cards we deal with include Microchip,ALPS,ROHM,Xilinx,Pulse,ON,Everlight and Freescale. Main products comprise IC,Modules,Potentiometer,IC Socket,Relay,Connector.Our parts cover such applications as commercial,industrial, and automotives areas.

We are looking forward to setting up business relationship with you and hope to provide you with the best service and solution. Let us make a better world for our industry!



## Contact us

Tel: +86-755-8981 8866 Fax: +86-755-8427 6832

Email & Skype: info@chipsmall.com Web: www.chipsmall.com

Address: A1208, Overseas Decoration Building, #122 Zhenhua RD., Futian, Shenzhen, China





# Negative Battery Voltage SLIC Protection

## GR-1089-CORE Intra-building Solution

### Solution Products



TBU-PL060-200-WH



MOV-10D201K

### Design Kit



PN-DESIGNKIT-20

### Objective

The SLIC (Subscriber Line Interface Circuit) provides all the BORSCHT functions such as battery, ringing, supervision between the codec and telephone hand set. This PortNote<sup>®</sup> solution protects negative battery voltage solutions against surge and power contact threats.

### Solution

- 1 TBU<sup>®</sup> High-Speed Protector:  
TBU-PL060-200-WH
- 2 MOV Devices: MOV-10D201K

### Compliance

- GR-1089-CORE intra-building, issue 5, port type 4.
- 120 V<sub>rms</sub>, 25 A, 900 seconds withstand.
- 130 V<sub>rms</sub> maximum AC withstand.
- Increased surge level to 5 kV, 500 A 2/10 μs.

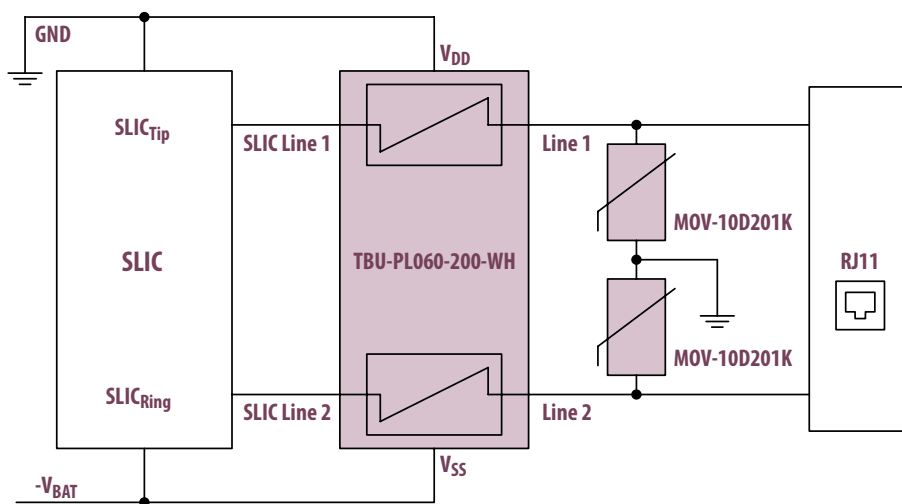
### Alternate Recommendations

Other PortNote<sup>®</sup> Solutions:

- SLIC Protection - GR-1089-CORE Intra-building Solution
- Negative Battery Voltage SLIC Protection - ITU-T Solution
- Dual Supply Voltage SLIC Protection - ITU-T Solution

### Benefit

This solution provides a high level of protection in a small PCB area.



The schematic above illustrates the application protection and does not constitute the complete circuit design. Customers should verify actual device performance in their specific applications.