



Chipsmall Limited consists of a professional team with an average of over 10 year of expertise in the distribution of electronic components. Based in Hongkong, we have already established firm and mutual-benefit business relationships with customers from,Europe,America and south Asia,supplying obsolete and hard-to-find components to meet their specific needs.

With the principle of "Quality Parts,Customers Priority,Honest Operation,and Considerate Service",our business mainly focus on the distribution of electronic components. Line cards we deal with include Microchip,ALPS,ROHM,Xilinx,Pulse,ON,Everlight and Freescale. Main products comprise IC,Modules,Potentiometer,IC Socket,Relay,Connector.Our parts cover such applications as commercial,industrial, and automotives areas.

We are looking forward to setting up business relationship with you and hope to provide you with the best service and solution. Let us make a better world for our industry!



Contact us

Tel: +86-755-8981 8866 Fax: +86-755-8427 6832

Email & Skype: info@chipsmall.com Web: www.chipsmall.com

Address: A1208, Overseas Decoration Building, #122 Zhenhua RD., Futian, Shenzhen, China



VDSL Over POTS

ITU-T & GR-1089-CORE Solution

Solution Products



TBU-CA085-500-WH



2020-42T-C2FLF



B1250T

Design Kit



PN-DESIGNKIT-43

Objective

VDSL circuits are sometimes combined with Plain Old Telephone Service (POTS) circuits. This solution protects those communication ports against surge and power contact threats.

Solution

- 2 TBU[®] High-Speed Protectors:
TBU-CA085-500-WH
- 1 GDT: 2020-42T-C2FLF
- 2 Telefuse™ Telecom Fuses: B1250T

Compliance

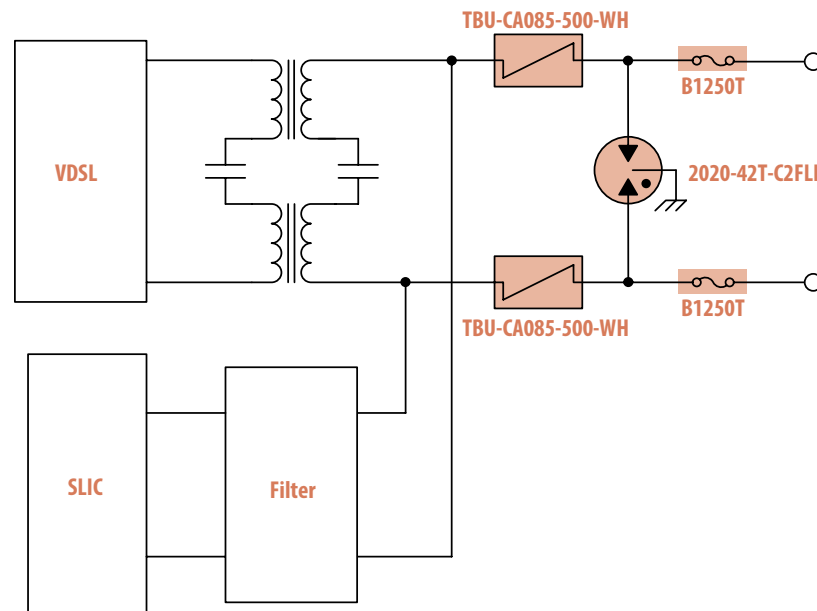
- ITU-T K.20, K.45, K.21 (Enhanced)
 - 6 kV 10/700 μ s Lightning Surge
 - 600 V_{rms} Power Induction
 - 230 V_{rms} Power Contact
- GR-1089-CORE Issue 6

Alternate Recommendations

Variations of this circuit are available depending on specific design constraints; contact your local Bourns technical representative for more information.

Benefit

This solution provides protection to the voice and data circuits without impairing the VDSL 30 MHz signal.



The schematic above illustrates the application protection and does not constitute the complete circuit design. Customers should verify actual device performance in their specific applications.