



Chipsmall Limited consists of a professional team with an average of over 10 year of expertise in the distribution of electronic components. Based in Hongkong, we have already established firm and mutual-benefit business relationships with customers from,Europe,America and south Asia,supplying obsolete and hard-to-find components to meet their specific needs.

With the principle of "Quality Parts,Customers Priority,Honest Operation,and Considerate Service",our business mainly focus on the distribution of electronic components. Line cards we deal with include Microchip,ALPS,ROHM,Xilinx,Pulse,ON,Everlight and Freescale. Main products comprise IC,Modules,Potentiometer,IC Socket,Relay,Connector.Our parts cover such applications as commercial,industrial, and automotives areas.

We are looking forward to setting up business relationship with you and hope to provide you with the best service and solution. Let us make a better world for our industry!



Contact us

Tel: +86-755-8981 8866 Fax: +86-755-8427 6832

Email & Skype: info@chipsmall.com Web: www.chipsmall.com

Address: A1208, Overseas Decoration Building, #122 Zhenhua RD., Futian, Shenzhen, China



SLIC Protection for RJ11 Ports in IP-PBX

ITU-T Solution

Solution Products



TBU-PL060-200-WH



TISP4500H3BJR

Objective

The SLIC (Subscriber Line Interface Circuit) provides all of the BORSCHT functions such as battery, ringing and supervision between the codec and telephone handset. This PortNote® Solution discusses negative battery voltage solutions against surge and power contact threats.

Solution

- 1 TBU® High-Speed Protector:
TBU-PL060-200-WH
- 2 Thyristor Surge Protectors:
TISP4500H3BJR

Compliance

- ITU-T Basic K.20, K.21, K.45.
- 230 V_{rms}, 23 A, 900 seconds withstand.
- Increased surge withstand to 4 kV 10/700 μs without a primary protector.

Alternate Recommendations

Other PortNote® Solutions:

- Dual Supply Voltage SLIC Protection - ITU-T Solution
- Negative Battery Voltage SLIC Protection - GR-1089-CORE Intra-building Solution
- SLIC Protection - GR-1089-CORE Intra-building Solution

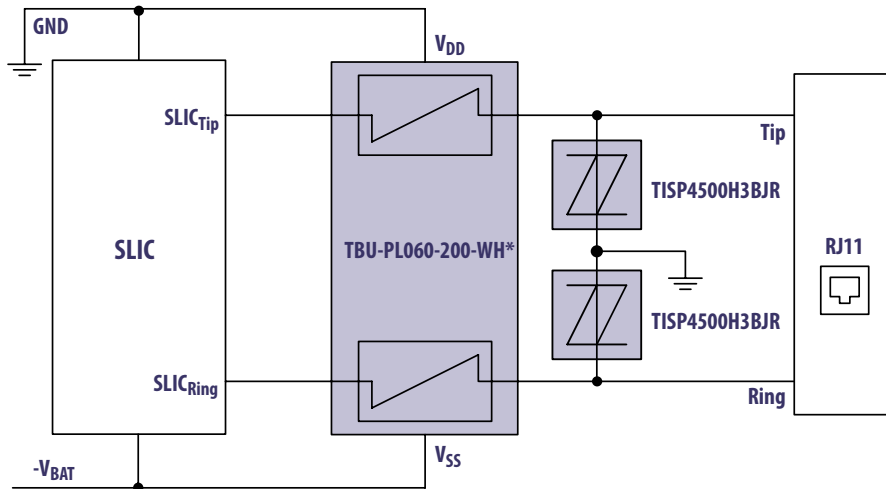
Benefit

This solution provides a high level of protection in a small PCB area.

Design Kit



PN-DESIGNKIT-49



The schematic above illustrates the application protection and does not constitute the complete circuit design. Customers should verify actual device performance in their specific applications.

*Note: The VE950 series (e.g., Le9500, Le9520, Le9530, Le9540) require a 200 mA $I_{trigger}$. TBU® High-Speed Protector (HSP) for normal operation. All other SLICs may use 100 mA $I_{trigger}$. TBU® HSP devices.