



Chipsmall Limited consists of a professional team with an average of over 10 year of expertise in the distribution of electronic components. Based in Hongkong, we have already established firm and mutual-benefit business relationships with customers from,Europe,America and south Asia,supplying obsolete and hard-to-find components to meet their specific needs.

With the principle of “Quality Parts,Customers Priority,Honest Operation,and Considerate Service”,our business mainly focus on the distribution of electronic components. Line cards we deal with include Microchip,ALPS,ROHM,Xilinx,Pulse,ON,Everlight and Freescale. Main products comprise IC,Modules,Potentiometer,IC Socket,Relay,Connector.Our parts cover such applications as commercial,industrial, and automotives areas.

We are looking forward to setting up business relationship with you and hope to provide you with the best service and solution. Let us make a better world for our industry!



Contact us

Tel: +86-755-8981 8866 Fax: +86-755-8427 6832

Email & Skype: info@chipsmall.com Web: www.chipsmall.com

Address: A1208, Overseas Decoration Building, #122 Zhenhua RD., Futian, Shenzhen, China



Vectored VDSL2

Protection for Class AB Driver with Active Termination

Solution Products



TCS-DL004-250-WH



CD143A-SR12



2036-42-SM-RPLF



2015-35-SMC-RPLF

Design Kit



PN-DESIGNKIT-50

Objective

VDSL2 uses frequencies of up to 30 MHz to provide data rates exceeding 100 Mbit/s simultaneously in both upstream and downstream directions. This solution protects these ports against lightning surge and AC power contact threats.

Solution

- 1 TCS™ High-Speed Protector: TCS-DL004-250-WH
- 1 TVS Diode Array: CD143A-SR12
- 1 Gas Discharge Tube (GDT): 2036-42-SM-RPLF or
- 1 GDT with FLAT™ Technology: 2015-35-SMC-RPLF

Compliance

- ITU-T K.20, K.21 Basic
- ITU-T K.20, K.21 Enhanced

Alternate Recommendations

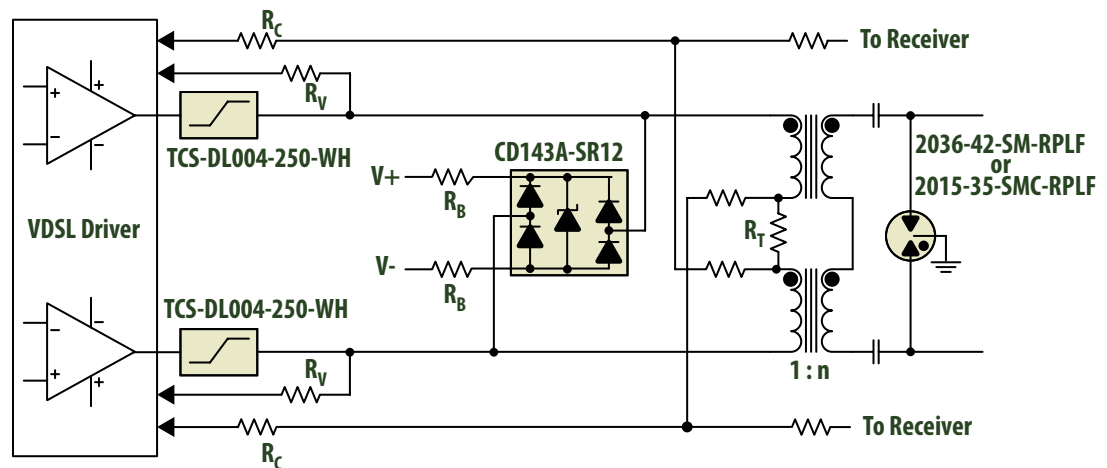
Other PortNote® Solutions:

- VDSL Line Side Protection - ITU-T Solution
- VDSL: Line Side Protection
- VDSL: Driver Side Protection

Variations of this circuit are available depending on specific design constraints; contact your local Bourns technical representative for more information.

Benefit

This solution provides protection on the driver side without impairing the VDSL2 signal.



The schematic above illustrates the application protection and does not constitute the complete circuit design. Customers should verify actual device performance in their specific applications.