



Chipsmall Limited consists of a professional team with an average of over 10 year of expertise in the distribution of electronic components. Based in Hongkong, we have already established firm and mutual-benefit business relationships with customers from,Europe,America and south Asia,supplying obsolete and hard-to-find components to meet their specific needs.

With the principle of “Quality Parts,Customers Priority,Honest Operation,and Considerate Service”,our business mainly focus on the distribution of electronic components. Line cards we deal with include Microchip,ALPS,ROHM,Xilinx,Pulse,ON,Everlight and Freescale. Main products comprise IC,Modules,Potentiometer,IC Socket,Relay,Connector.Our parts cover such applications as commercial,industrial, and automotives areas.

We are looking forward to setting up business relationship with you and hope to provide you with the best service and solution. Let us make a better world for our industry!



Contact us

Tel: +86-755-8981 8866 Fax: +86-755-8427 6832

Email & Skype: info@chipsmall.com Web: www.chipsmall.com

Address: A1208, Overseas Decoration Building, #122 Zhenhua RD., Futian, Shenzhen, China



Customer Premises Equipment (CPE) Protection

Solution Products



TISP4G024L1W



2051-47-SM-RPLF

Objective

The new G.Fast standard use frequencies as high as 106 MHz to provide data rates up to 1Gbps simultaneously in both the upstream and downstream directions. This solution protects these ports against lightning surge, power induction and AC power contact threats. The protection provides lowest off-state capacitance and improves G.Fast surge resistibility.

Solution

- 1 Thyristor Surge Protector (TISP):
TISP4G024L1W
- 1 Gas Discharge Tube (GDT) Surge Arrestor:
2051-47-SM-RPLF

Compliance*

- ITU-T K.21 Basic
- ITU-T K.21 Enhanced

Alternate Recommendations

Other PortNote[®] Solutions:

- G.Fast: CO and DPU Side Protection
- VDSL: Line Side Protection - ITU-T Solution
- VDSL: Line Side Protection
- VDSL: Driver Side Protection

Variations of this circuit are available depending on specific design constraints; contact your local Bourns technical representative for more information.

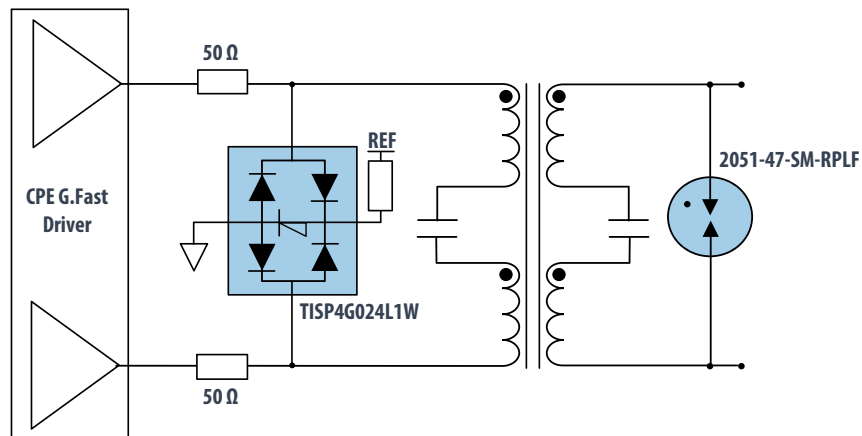
Benefit

This solution provides protection for CPE side of G.Fast signal without impairing the signal reliability.

Design Kit



PN-DESIGNKIT-59



*The Bourns[®] model TISP4G024L1W Thyristor Surge Protector and model 2051-47-SM-RPLF Gas Discharge Tube help to ensure an application's compliance to ITU-T K.21 Basic and K.21 Enhanced. These components can withstand 10/700 μ s surges as described in ITU-T K.21 Basic and K.21 Enhanced recommendation.

The schematic above illustrates the application protection and does not constitute the complete circuit design. Customers should verify actual device performance in their specific applications.