



Chipsmall Limited consists of a professional team with an average of over 10 year of expertise in the distribution of electronic components. Based in Hongkong, we have already established firm and mutual-benefit business relationships with customers from,Europe,America and south Asia,supplying obsolete and hard-to-find components to meet their specific needs.

With the principle of “Quality Parts,Customers Priority,Honest Operation,and Considerate Service”,our business mainly focus on the distribution of electronic components. Line cards we deal with include Microchip,ALPS,ROHM,Xilinx,Pulse,ON,Everlight and Freescale. Main products comprise IC,Modules,Potentiometer,IC Socket,Relay,Connector.Our parts cover such applications as commercial,industrial, and automotives areas.

We are looking forward to setting up business relationship with you and hope to provide you with the best service and solution. Let us make a better world for our industry!



Contact us

Tel: +86-755-8981 8866 Fax: +86-755-8427 6832

Email & Skype: info@chipsmall.com Web: www.chipsmall.com

Address: A1208, Overseas Decoration Building, #122 Zhenhua RD., Futian, Shenzhen, China

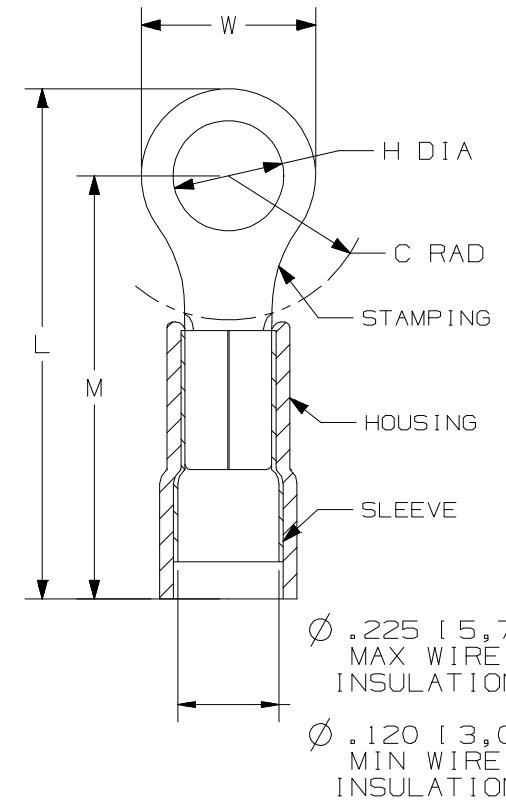


THIS COPY IS PROVIDED ON A RESTRICTED BASIS AND IS NOT TO BE USED IN ANY WAY DETRIMENTAL TO THE INTERESTS OF PANDUIT CORP.

PANDUIT PART #	MILITARY PART # AND CLASS	STUD SIZE	DIMENSIONS in. [mm]				
			L ± .04 [1,0]	W ± .01 [0,3]	C ± .02 [0,5]	M ± .04 [1,0]	H ± .01 [0,3]
PN10-6R	MS25036-111 CLASS 1 & 2	#6	1.06 [26,9]	.37 [9,4]	.31 [7,9]	.88 [22,3]	.15 [3,8]
PN10-6RN	-----	#6	1.04 [26,4]	.31 [7,9]	.31 [7,9]	.88 [22,3]	.15 [3,8]
PN10-8R	MS25036-156 CLASS 1 & 2	#8	1.06 [26,9]	.37 [9,4]	.31 [7,9]	.88 [22,3]	.17 [4,3]
PN10-8RN	-----	#8	1.04 [26,4]	.31 [7,9]	.31 [7,9]	.88 [22,3]	.17 [4,3]
PN10-10R	MS25036-112 CLASS 1 & 2	#10	1.06 [26,9]	.38 [9,7]	.31 [7,9]	.88 [22,3]	.20 [5,1]
PN10-10RN	-----	#10	1.04 [26,4]	.31 [7,9]	.31 [7,9]	.88 [22,3]	.20 [5,1]
PN10-14R	MS25036-157 CLASS 1 & 2	1/4"	1.21 [30,7]	.52 [13,2]	.38 [9,7]	.95 [24,1]	.27 [6,9]
PN10-56R	MS25036-113 CLASS 1 & 2	5/16"	1.21 [30,7]	.52 [13,2]	.38 [9,7]	.95 [24,1]	.33 [8,4]
PN10-38R	MS25036-114 CLASS 1 & 2	3/8"	1.29 [32,8]	.58 [14,7]	.43 [10,9]	1.00 [25,4]	.39 [9,9]
PN10-12R	-----	1/2"	1.47 [37,3]	.72 [18,3]	.53 [13,5]	1.11 [28,2]	.52 [13,2]

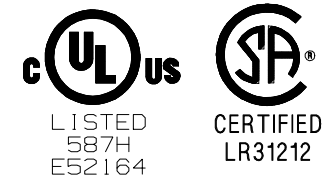
UL & CSA TOOLS (DIES)
 CT-100A
 CT-600-A (CT-550CH)
 *CT-1550
 *CT-1551
 CT-2500 (CT-2550CH)
 * NOT UL/CSA WITH #10AWG SOLID COPPER WIRE

MILITARY CLASS 2 TOOL
 CT-460



NOTES:

- UL LISTED AND CSA CERTIFIED FOR:
 - A. 600V. MAX. BLDG. WIRE (1000V. MAX. IN SIGNS, FIXTURES & LUMINARIES)
 - B. 221°F. (105°C) MAX. TEMP. RATING
 - C. #12-10 AWG STRANDED AND SOLID COPPER
- MATERIAL:
 - A. STAMPING: .04" [1,02] THK. COPPER, TIN PLATED
 - B. HOUSING: NYLON, YELLOW
 - C. SLEEVE: BRASS, TIN PLATED
- WIRE STRIP LENGTH: $9/32" \begin{matrix} +1/32 \\ -0 \end{matrix} [7,1 \text{ mm} \begin{matrix} +0,8 \\ -0 \end{matrix}]$
- SEE www.PANDUIT.com FOR PACKAGE QUANTITIES
- DIMENSIONS IN PARENTHESIS ARE IN MILLIMETERS



Panduit part numbers shown on this drawing meet the material requirements of RoHS (EUROPEAN DIRECTIVES 2002/95/EC) as proposed by the Technical Adaptation Committee

TITLE		#12-10 RING TERMINALS 3PC. NYLON INSULATED	
CONTROL DRAWING			
ITEM REVISION NAME	N41186BA/10		
DATASET FILE NAME	N41186BA/10		
UNLESS OTHERWISE SPECIFIED, DIMENSIONAL TOLERANCES ARE: IN [mm]		MATERIAL:	
.x ± .1 [2,54]	.xxx ± .005 [.127]	SEE NOTES	
.xx ± .01 [.25]	ANGLES ± 5 °		
THIRD ANGLE PROJECTION		DRAWING NUMBER:	
		A41186	
DRAWN BY	DATE	CHK	SCALE
FES		LA	NONE
DESCRIPTION		SIZE	
SHT 1 OF 1		A	

REV	DATE	BY	CHK	APR	DESCRIPTION	ECN
10	1/16	TMR	TMR	RGB	ADDED cUL, PN10-10RN, PN10-8RN, PN10-6RN, UPDATED PKG QTY NOTE 4, DIM L WAS A, DIM M WAS G, TOOL CHART	A41186
09	8/06	DAW	DAW	LCA	ADDED METRIC PART NO. AND CLASS	TR00155
08	12/02	SAC	SKB	LCA	MADE ALL METRIC DIMS. ONE PLACE	10504
07	10/02	SAC	SKB	LA	CHANGED DIM. M TO DIM. G, & DIM C. FOR PN10-12R WAS .56	10480
06	9/02	SAC	SKB	LA	ADDED PN10-12R	10453

B

B

A

A

D:\10\ODDA\16