



Chipsmall Limited consists of a professional team with an average of over 10 year of expertise in the distribution of electronic components. Based in Hongkong, we have already established firm and mutual-benefit business relationships with customers from,Europe,America and south Asia,supplying obsolete and hard-to-find components to meet their specific needs.

With the principle of "Quality Parts,Customers Priority,Honest Operation,and Considerate Service",our business mainly focus on the distribution of electronic components. Line cards we deal with include Microchip,ALPS,ROHM,Xilinx,Pulse,ON,Everlight and Freescale. Main products comprise IC,Modules,Potentiometer,IC Socket,Relay,Connector.Our parts cover such applications as commercial,industrial, and automotives areas.

We are looking forward to setting up business relationship with you and hope to provide you with the best service and solution. Let us make a better world for our industry!



Contact us

Tel: +86-755-8981 8866 Fax: +86-755-8427 6832

Email & Skype: info@chipsmall.com Web: www.chipsmall.com

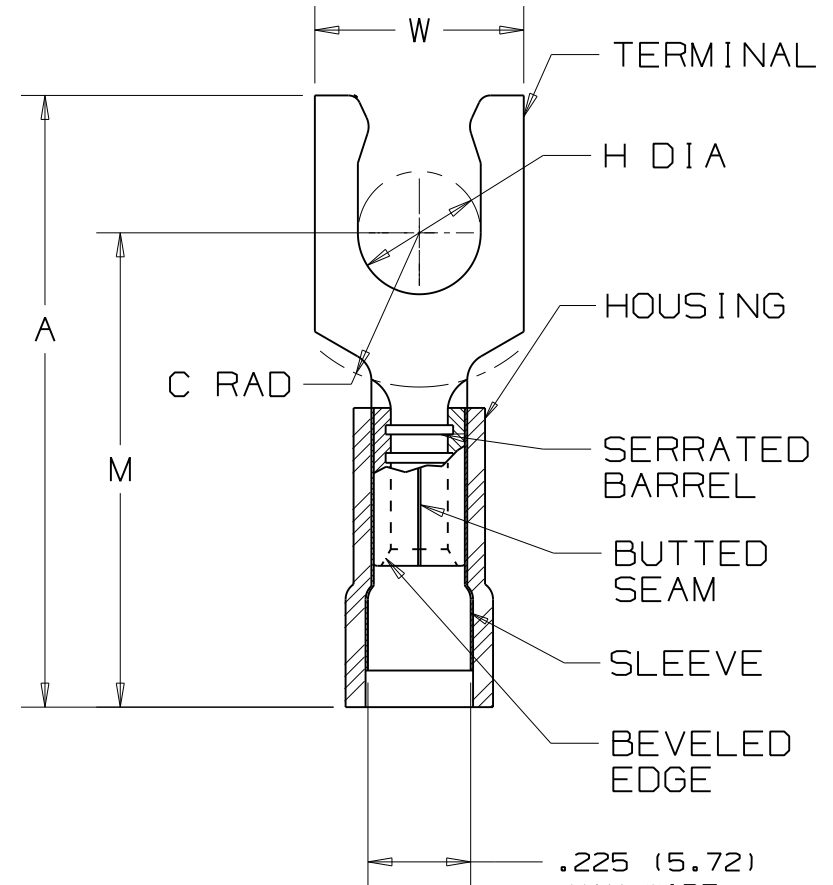
Address: A1208, Overseas Decoration Building, #122 Zhenhua RD., Futian, Shenzhen, China



PANDUIT PART NUMBER	STUD SIZE	DIMENSIONS in.				
		A ±.04	W ±.01	C MIN	M ±.04	H ±.01
PN10-6LF	#6	1.02 (25.91)	.30 (7.62)	.23 (5.84)	.79 (20.07)	.14 (3.56)
PN10-8LF	#8	1.05 (26.67)	.30 (7.62)	.23 (5.84)	.79 (20.07)	.16 (4.06)
PN10-10LF	#10	1.05 (26.67)	.34 (8.64)	.23 (5.84)	.79 (20.07)	.19 (4.83)
PN10-14LF	1/4"	1.17 (29.72)	.46 (11.68)	.32 (8.13)	.90 (22.86)	.25 (6.35)

NOTES:

- UL LISTED AND CSA CERTIFIED FOR:
 - 600V. MAX. BLDG WIRE (1000 V. MAX IN SIGNS, FIXTURES & LUMINARIES)
 - #14-10 AWG SOLID OR STRANDED COPPER WIRE WITH THE CT-550 INSTALLATION TOOL.
 - #12-10 AWG STRANDED AND NO.12 AWG SOLID COPPER WIRE WITH THE CT-1550 AND CT-1551 INSTALLATION TOOLS.
 - 221°F (105°C) MAX TEMP. RATING
- MATERIAL:
 - STAMPING - .04" (1.02) THK COPPER, TIN PLATED
 - HOUSING - NYLON, YELLOW
 - SLEEVE - BRASS, TIN PLATED
- STRIP LENGTH - $9/32 \pm \begin{smallmatrix} 1/32 \\ -0 \end{smallmatrix}$
- SEE www.panduit.com FOR PART NUMBER SUFFIX DESIGNATION FOR PACKAGE SIZE.
- DIMENSIONS IN BRACKETS ARE IN MILLIMETERS



LISTED
587H
E52164



CERTIFIED
LR31212

09	5/11	SB		REVISED NOTE # 4					
REV	DATE	BY	CHK	DESCRIPTION	ECN	CUST	PM	DRAWN BY	CHK'D

PANDUIT

CORP.

TINLEY PARK, ILLINOIS

#12-10 BARREL NYLON INSULATED
LOCKING FORK, .225 (5.72) MAX.
WIRE INSULATION DIAMETER

DRAWN BY	CHK'D	SCALE	DRAWING NO.
DAW	LA	NONE	A41292