



Chipsmall Limited consists of a professional team with an average of over 10 year of expertise in the distribution of electronic components. Based in Hongkong, we have already established firm and mutual-benefit business relationships with customers from,Europe,America and south Asia,supplying obsolete and hard-to-find components to meet their specific needs.

With the principle of “Quality Parts,Customers Priority,Honest Operation,and Considerate Service”,our business mainly focus on the distribution of electronic components. Line cards we deal with include Microchip,ALPS,ROHM,Xilinx,Pulse,ON,Everlight and Freescale. Main products comprise IC,Modules,Potentiometer,IC Socket,Relay,Connector.Our parts cover such applications as commercial,industrial, and automotives areas.

We are looking forward to setting up business relationship with you and hope to provide you with the best service and solution. Let us make a better world for our industry!



Contact us

Tel: +86-755-8981 8866 Fax: +86-755-8427 6832

Email & Skype: info@chipsmall.com Web: www.chipsmall.com

Address: A1208, Overseas Decoration Building, #122 Zhenhua RD., Futian, Shenzhen, China

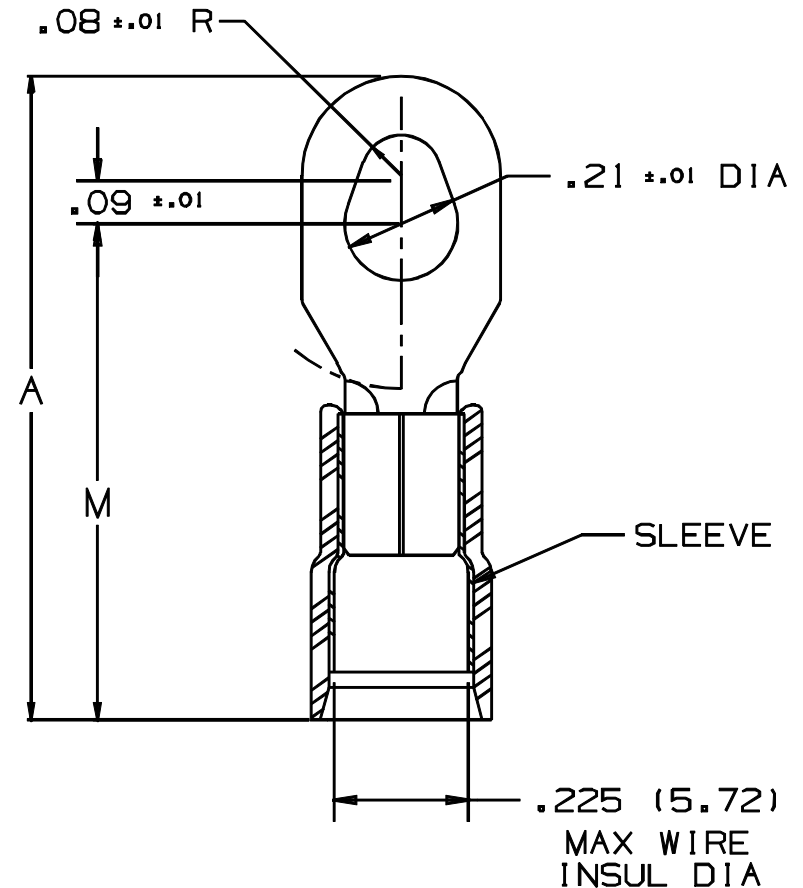


THIS COPY IS PROVIDED ON A RESTRICTED BASIS AND IS NOT TO BE USED IN ANY WAY DETRIMENTAL TO THE INTERESTS OF PANDUIT CORP.

PANDUIT PART NUMBER	STUD SIZE	DIMENSIONS in.			
		A $\pm .04$	W $\pm .01$	C $\pm .02$	M $\pm .04$
PN10-610R	#6, #8, #10	1.17 (29.7)	.37 (9.4)	.33 (8.38)	.87 (22.1)

NOTES:

- UL LISTED AND CSA CERTIFIED FOR:
 - 600V. MAX. BLDG WIRE
(1000 V. MAX IN SIGNS, FIXTURES & LUMINAIRES).
 - #14-10 AWG SOLID OR STRANDED
COPPER WIRE WITH THE CT-550,
INSTALLATION TOOL.
 - #12-10 AWG SOLID OR STRANDED
COPPER WIRE WITH THE CT-100
INSTALLATION TOOL.
 - #12 AWG SOL/STR OR #10 AWG STR COPPER
WIRE WITH THE CT-1550 & CT-1551
INSTALLATION TOOLS.
 - 221°F (105°C) MAX TEMP. RATING
- MATERIAL:
 - STAMPING - .04" (1.02) THK COPPER, TIN PLATED
 - HOUSING - NYLON, YELLOW
 - SLEEVE - BRASS, TIN PLATED
- STRIP LENGTH - $9/32 \pm 1/32$
-0
- PACKAGE QTY:
 - L=50
 - D=500
- DIMENSIONS IN BRACKETS ARE IN MILLIMETERS



UL
LISTED
587H
E52164

CSA
CERTIFIED
LR31212

A41589_02

02	1/01	RM		FILESPEC WAS N41589AA_PCD_01				PANDUIT CORP. TINLEY PARK, ILLINOIS PN10-610R, NYLON INSULATED MULTI-STUD TERMINAL
01	5/99	ED		UPDATED "A" & "M" DIM.S. AND MODIFIED DIMENSIONAL TOLERANCES	07667			
00	3/96	ED	RLS	RELEASED	04191	LA		
REV	DATE	BY	CHK	DESCRIPTION	ECN #	CUST	PM	DRAWN BY EJD Ck'D RLS SCALE NONE DRAWING NO. A41589