



Chipsmall Limited consists of a professional team with an average of over 10 year of expertise in the distribution of electronic components. Based in Hongkong, we have already established firm and mutual-benefit business relationships with customers from,Europe,America and south Asia,supplying obsolete and hard-to-find components to meet their specific needs.

With the principle of “Quality Parts,Customers Priority,Honest Operation,and Considerate Service”,our business mainly focus on the distribution of electronic components. Line cards we deal with include Microchip,ALPS,ROHM,Xilinx,Pulse,ON,Everlight and Freescale. Main products comprise IC,Modules,Potentiometer,IC Socket,Relay,Connector.Our parts cover such applications as commercial,industrial, and automotives areas.

We are looking forward to setting up business relationship with you and hope to provide you with the best service and solution. Let us make a better world for our industry!



## Contact us

Tel: +86-755-8981 8866 Fax: +86-755-8427 6832

Email & Skype: info@chipsmall.com Web: www.chipsmall.com

Address: A1208, Overseas Decoration Building, #122 Zhenhua RD., Futian, Shenzhen, China

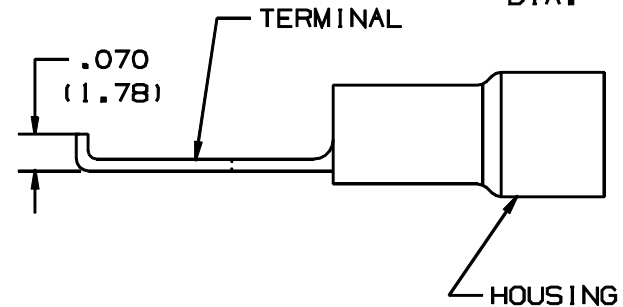
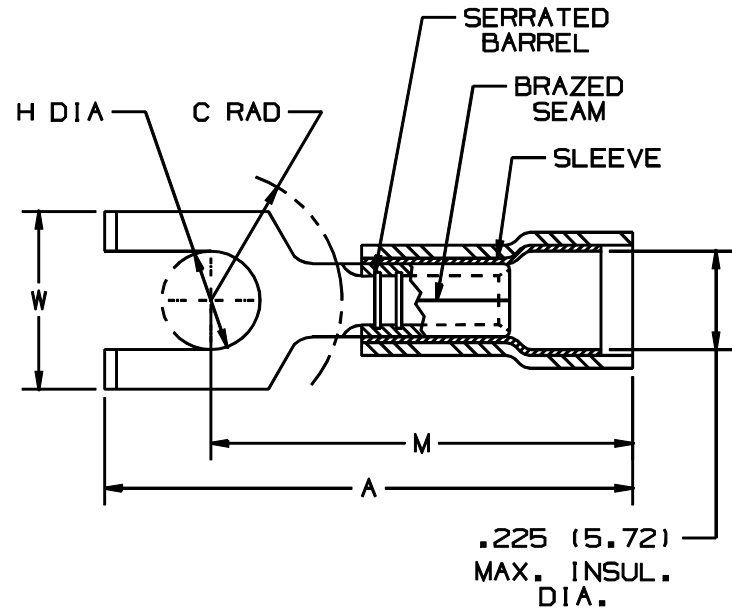


THIS COPY IS PROVIDED ON A RESTRICTED BASIS AND IS NOT TO BE USED IN ANY WAY DETRIMENTAL TO THE INTERESTS OF PANDUIT CORP.

PANDUIT PART NUMBER	STUD SIZE	DIMENSIONS in.				
		A ±.04	W ±.010	C ±.015	M ±.04	H ±.010
PN10-8FF	#8	1.05 (26.67)	.37 (9.40)	.28 (7.11)	.80 (20.32)	.17 (4.32)
PN10-10FF	#10	1.05 (26.67)	.37 (9.40)	.28 (7.11)	.80 (20.32)	.20 (5.08)

NOTES:

1. U.L. LISTED AND CSA CERTIFIED FOR:
  - A. 600V MAX BUILDING WIRE (1000V MAX IN SIGNS, FIXTURES, AND LUMINAIRES)
  - B. #14-10 AWG SOLID OR STRANDED COPPER WIRE WITH THE CT-550 INSTALLATION TOOL
  - C. #12-10 AWG STRANDED AND #12 AWG SOLID COPPER WIRE WITH THE CT-1550 AND CT-1551 INSTALLATION TOOLS
  - D. #12-10 AWG SOLID OR STRANDED COPPER WIRE WITH THE CT-100 INSTALLATION TOOL
  - E. 221°F (105°C) MAX TEMP RATING
2. MATERIAL:
  - A. STAMPING: .04" (1.02) THK COPPER, TIN PLATED
  - B. HOUSING: NYLON, YELLOW
  - C. SLEEVE: BRASS, TIN PLATED
3. STRIP LENGTH:  $9/32 +1/32 -0$
4. PACKAGE QUANTITY:
  - L=50
  - D=500



LISTED  
587H  
E52164



CERTIFIED  
LR31212

5. DIMENSIONS IN BRACKETS ARE IN INCHES

A41241\_07

07	1/01	KMD		CAD FILE SPEC. WAS N41241AA_PCD_06				<b>PANDUIT</b> CORP. TINLEY PARK, ILLINOIS
06	5/99	ED		UPDATED "A" & "M" DIM.S, AND MODIFIED DIMENSIONAL TOLERANCES	07661			
	-	-	-	FILESPEC WAS: A41241_05	-			#12-10 BARREL NYLON INSUL. FLANGED FORK, .225 (5.72) MAX. WIRE INSUL. DIA.
05	5/97	TM		UPDATED ALL NOTES AND "A" DIMS FILESPEC WAS A41241A	05826	LA	DBH	
REV	DATE	BY	CHK	DESCRIPTION	ECN#	CUST	PM	DRAWN BY DAW
								SCALE NONE
								DRAWING NO. A41241