



Chipsmall Limited consists of a professional team with an average of over 10 year of expertise in the distribution of electronic components. Based in Hongkong, we have already established firm and mutual-benefit business relationships with customers from,Europe,America and south Asia,supplying obsolete and hard-to-find components to meet their specific needs.

With the principle of “Quality Parts,Customers Priority,Honest Operation,and Considerate Service”,our business mainly focus on the distribution of electronic components. Line cards we deal with include Microchip,ALPS,ROHM,Xilinx,Pulse,ON,Everlight and Freescale. Main products comprise IC,Modules,Potentiometer,IC Socket,Relay,Connector.Our parts cover such applications as commercial,industrial, and automotives areas.

We are looking forward to setting up business relationship with you and hope to provide you with the best service and solution. Let us make a better world for our industry!



Contact us

Tel: +86-755-8981 8866 Fax: +86-755-8427 6832

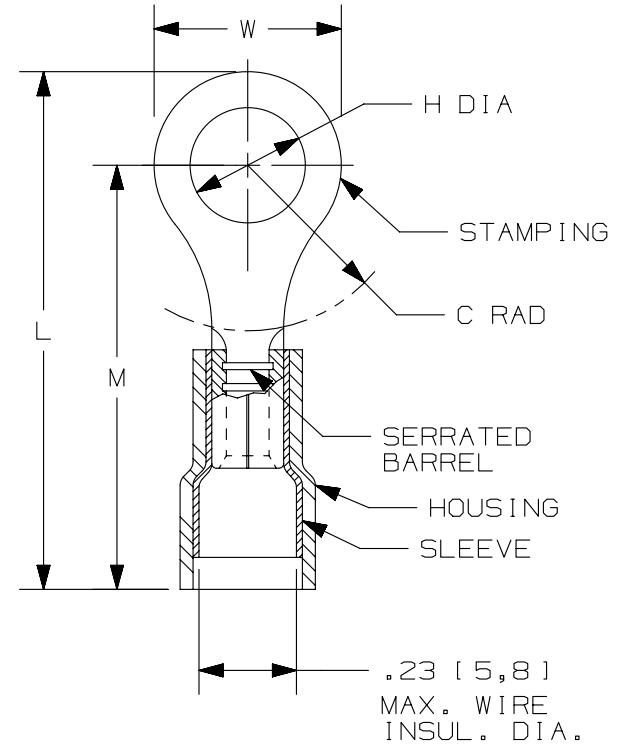
Email & Skype: info@chipsmall.com Web: www.chipsmall.com

Address: A1208, Overseas Decoration Building, #122 Zhenhua RD., Futian, Shenzhen, China



THIS COPY IS PROVIDED ON A RESTRICTED BASIS AND IS NOT TO BE USED IN ANY WAY DETRIMENTAL TO THE INTERESTS OF PANDUIT CORP.

PANDUIT PART #	STUD SIZE	DIMENSIONS in. [mm]				
		L ± .04 [1,0]	W ± .01 [0,3]	C ± .015 [0,4]	M ± .03 [0,8]	H ± .01 [0,3]
PN12-6HDR	#6	1.06 [26,9]	.31 [7,9]	.35 [8,9]	.91 [23,1]	.15 [3,8]
PN12-8HDR	#8	1.06 [26,9]	.31 [7,9]	.35 [8,9]	.90 [22,9]	.17 [4,3]
PN12-10HDR	#10	1.09 [27,7]	.37 [9,4]	.33 [8,4]	.89 [22,6]	.20 [5,1]
PN12-14HDR	1/4"	1.24 [31,5]	.52 [13,2]	.42 [10,7]	.98 [24,9]	.27 [6,9]
PN12-56HDR	5/16"	1.24 [31,5]	.52 [13,2]	.42 [10,7]	.98 [24,9]	.33 [8,4]
PN12-38HDR	3/8"	1.30 [33,0]	.58 [14,7]	.46 [11,7]	1.02 [25,9]	.39 [9,9]



NOTES:

- USED FOR:
 - A. #16-12 AWG [2,0-6,0 mm²] SOLID OR STRANDED COPPER WIRE
 - B. 221°F [105°C] MAX. OPERATING TEMPERATURE
 - C. 600 V. MAX. VOLTAGE RATING
1000 V. IN SIGNS, FIXTURES & LUMINARIES
- INSTALLATION TOOLS:
 - A. UL APPROVED: CT-600A (CT-550CH), CT-1550, CT-1551, CT-2500 (CT-2550CH/CD-550)
 - B. PANDUIT APPROVED: CT-460
- WIRE STRIP LENGTH: 9/32" ^{+1/32} [7,1^{0,8}]
- MATERIAL:
 - A. STAMPING: .05" [1,3] THK COPPER, TIN PLATED
 - B. HOUSING: NYLON, YELLOW
 - C. SLEEVE: BRASS, TIN PLATED
- SEE www.panduit.com FOR PACKAGE QUANTITIES INDICATED BY PART NUMBER SUFFIX
- DIMENSIONS IN BRACKETS ARE METRIC EQUIVALENT



LISTED
587H
E52164



CERTIFIED
LR31212

REV	DATE	BY	CHK	APR	DESCRIPTION	ECN
04	10.16.12	JBN	LCA	VMB	REVISED NOTES. UPDATED DRAWING TO CURRENT STANDARDS.	A41283

TITLE RING TERMINALS 3 PC, NYLON INSULATED, HEAVY DUTY #16-12 CUSTOMER DRAWING	
ITEM REVISION NAME N41283BB/07	PANDUIT
DATASET FILE NAME N41283BB_DC/07A	
UNLESS OTHERWISE SPECIFIED, DIMENSIONAL TOLERANCES ARE: IN [mm] .x ± .1 [2.54] .xxx ± .005 [.13] .xx ± .01 [.25] ANGLES ± 5°	
DRAWING NUMBER: A41283	
DRAWN BY DAW	DATE -
CHK LA	SCALE N.T.S.
SHT 1 OF 1	
SIZE A	

D10100DA/15