



Chipsmall Limited consists of a professional team with an average of over 10 year of expertise in the distribution of electronic components. Based in Hongkong, we have already established firm and mutual-benefit business relationships with customers from,Europe,America and south Asia,supplying obsolete and hard-to-find components to meet their specific needs.

With the principle of “Quality Parts,Customers Priority,Honest Operation,and Considerate Service”,our business mainly focus on the distribution of electronic components. Line cards we deal with include Microchip,ALPS,ROHM,Xilinx,Pulse,ON,Everlight and Freescale. Main products comprise IC,Modules,Potentiometer,IC Socket,Relay,Connector.Our parts cover such applications as commercial,industrial, and automotives areas.

We are looking forward to setting up business relationship with you and hope to provide you with the best service and solution. Let us make a better world for our industry!



## Contact us

Tel: +86-755-8981 8866 Fax: +86-755-8427 6832

Email & Skype: info@chipsmall.com Web: www.chipsmall.com

Address: A1208, Overseas Decoration Building, #122 Zhenhua RD., Futian, Shenzhen, China

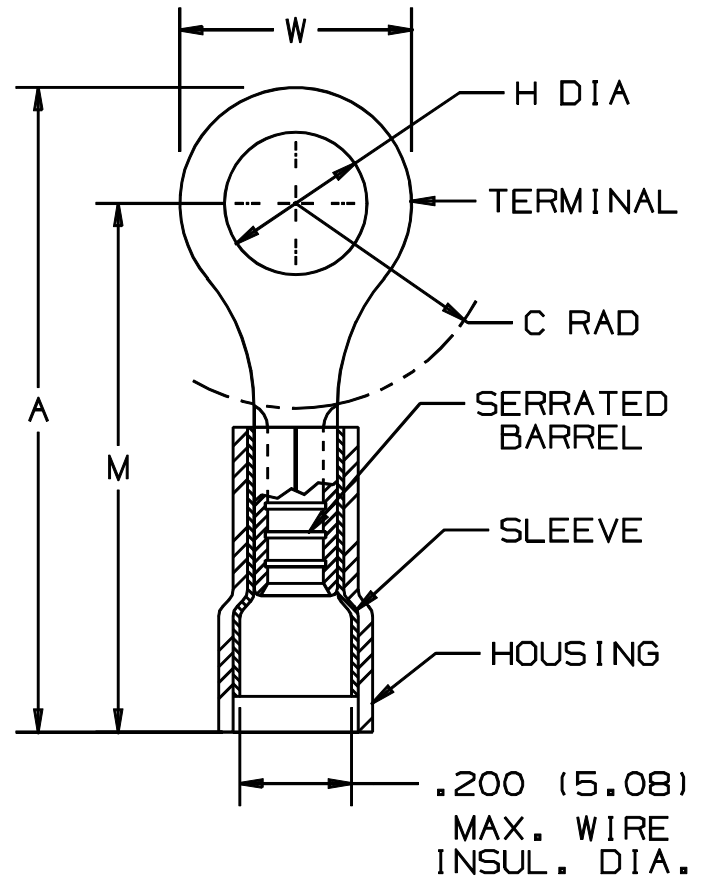


THIS COPY IS PROVIDED ON A RESTRICTED BASIS AND IS NOT TO BE USED IN ANY WAY DETRIMENTAL TO THE INTERESTS OF PANDUIT CORP.

PANDUIT PART NUMBER	PK	STUD SIZE	DIMENSIONS in.				
			A $\pm .03$	W $\pm .01$	C MIN.	M $\pm .03$	H $\pm .01$
PN14-4RX	-C -M	#4	.84 (21.34)	.25 (6.35)	.20 (5.08)	.71 (18.03)	.12 (3.05)
PN14-6RX	-C -M	#6	.93 (23.62)	.31 (7.87)	.25 (6.35)	.77 (19.56)	.15 (3.81)
PN14-8RX	-C -M	#8	.93 (23.62)	.31 (7.87)	.25 (6.35)	.77 (19.56)	.17 (4.32)
PN14-10RX	-C -M	#10	.93 (23.62)	.31 (7.87)	.25 (6.35)	.77 (19.56)	.20 (5.08)
PN14-14RX	-C -M	1/4"	1.13 (28.70)	.46 (11.68)	.38 (9.65)	.90 (22.86)	.27 (6.86)
PN14-56RX	-C -M	5/16"	1.13 (28.70)	.46 (11.68)	.38 (9.65)	.90 (22.86)	.34 (8.64)
PN14-38RX	-L -M	3/8"	1.22 (30.99)	.53 (13.46)	.43 (10.92)	.95 (24.13)	.40 (10.16)

NOTES:

- UL LISTED AND CSA CERTIFIED FOR:
  - 600V. MAX. BLDG WIRE (1000 V. MAX IN SIGNS, FIXTURES & LUMINAIRES).
  - #18-14 AWG SOLID OR STRANDED COPPER WIRE WITH THE CT-550, CT-500, CT-1550, CT-1551 CT-460 (UL ONLY) AND CT-400 (UL ONLY) INSTALLATION TOOLS.
  - #16-14 AWG SOLID OR STRANDED COPPER WIRE WITH THE CT-100 AND CT-250 INSTALLATION TOOLS.
  - 221°F (105°C) MAX TEMP. RATING
- MATERIAL:
  - STAMPING - .032" (.81) THK COPPER, TIN PLATED
  - HOUSING - NYLON, BLUE
  - SLEEVE - BRASS, TIN PLATED
- STRIP LENGTH - 7/32  $\pm 1/32$  .0
- PACKAGE QTY: -L=50  
-C=100  
-M=1000
- DIMENSIONS IN BRACKETS ARE IN MILLIMETERS



LISTED  
587H  
E52164



CERTIFIED  
LR31212

A41272\_04

04	1/01	KMD		CAD FILE SPEC. WAS N41272AA_PCD_03				<b>PANDUIT</b> CORP. DW TINLEY PARK, ILLINOIS #16-14 BARREL NYLON INSULATED RING TONGUE, .200 (5.08) MAX. WIRE INSULATION DIAMETER
03	4/96	TH	RLS	UPDATED NOTES AMD DIMENSIONS	04387	LA	DBH	
02	7-88	DW		REDRAWN WITH REVISIONS		JRB		
REV	DATE	BY	CHK	DESCRIPTION	ECN #	CUST	PM	DRAWN BY DAW Ck'D CJH SCALE NONE DRAWING NO. A41272