



Chipsmall Limited consists of a professional team with an average of over 10 year of expertise in the distribution of electronic components. Based in Hongkong, we have already established firm and mutual-benefit business relationships with customers from,Europe,America and south Asia,supplying obsolete and hard-to-find components to meet their specific needs.

With the principle of “Quality Parts,Customers Priority,Honest Operation,and Considerate Service”,our business mainly focus on the distribution of electronic components. Line cards we deal with include Microchip,ALPS,ROHM,Xilinx,Pulse,ON,Everlight and Freescale. Main products comprise IC,Modules,Potentiometer,IC Socket,Relay,Connector.Our parts cover such applications as commercial,industrial, and automotives areas.

We are looking forward to setting up business relationship with you and hope to provide you with the best service and solution. Let us make a better world for our industry!



Contact us

Tel: +86-755-8981 8866 Fax: +86-755-8427 6832

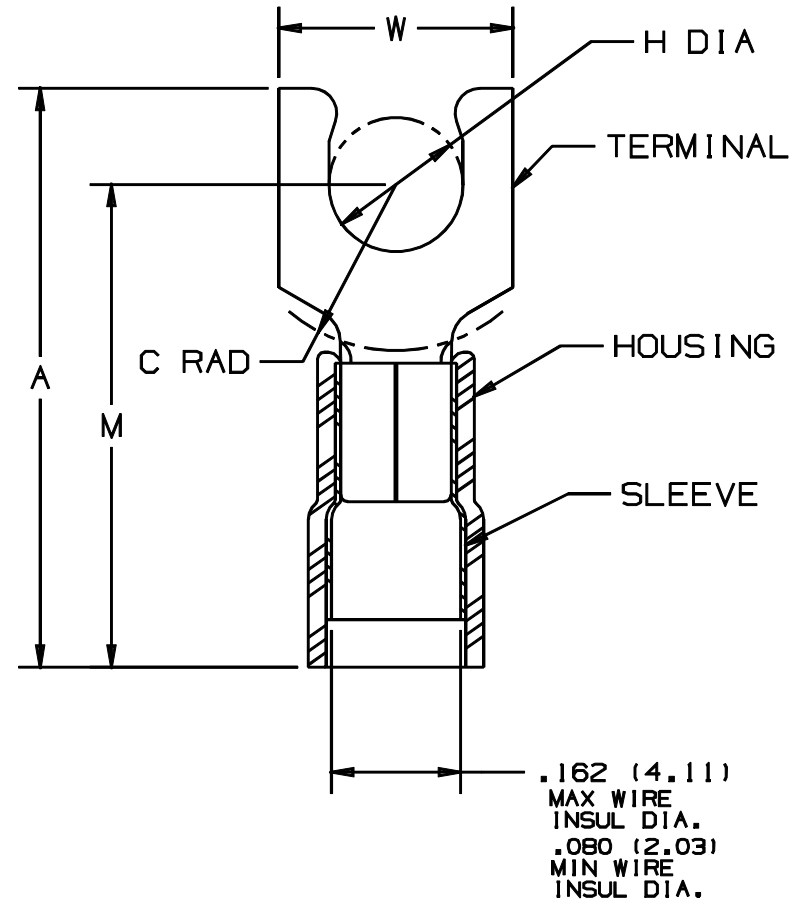
Email & Skype: info@chipsmall.com Web: www.chipsmall.com

Address: A1208, Overseas Decoration Building, #122 Zhenhua RD., Futian, Shenzhen, China



THIS COPY IS PROVIDED ON A RESTRICTED BASIS AND IS NOT TO BE USED IN ANY WAY DETRIMENTAL TO THE INTERESTS OF PANDUIT CORP.

PANDUIT PART NUMBER	STUD SIZE	DIMENSIONS in.				
		A ±.04	W ±.01	C ±.02	M ±.04	H ±.01
PN14-5SLF	#5	.75 (19.05)	.25 (6.35)	.19 (4.83)	.64 (16.26)	.12 (3.05)
PN14-6SLF	#6	.75 (19.05)	.25 (6.35)	.19 (4.83)	.64 (16.26)	.14 (3.56)
PN14-8SLF	#8	.80 (20.32)	.29 (7.36)	.23 (5.84)	.68 (17.27)	.16 (4.06)
PN14-10SLF	#10	.81 (20.57)	.33 (8.38)	.23 (5.84)	.68 (17.27)	.19 (4.83)
PN14-14SLF	1/4"	.90 (22.86)	.44 (11.18)	.28 (7.11)	.74 (18.80)	.25 (6.35)



NOTES :

- UL LISTED AND CSA CERTIFIED FOR :
 A. 600 V MAX. VOLTAGE RATING (1000V MAX. IN SIGNS, FIXTURES, AND LUMINAIRES)
 B. 221°F (105°C) MAX. TEMP. RATING OF INSUL. MAT'L.
 C. #16-14 AWG SOLID OR STRANDED, COPPER WIRE
- PACKAGE QTY. : -C = 100
 -M = 1000
- MATERIAL :
 A. STAMPING - .03" THK COPPER, TIN PLATED
 B. HOUSING - BLUE NYLON
 C. SLEEVE - BRASS, TIN PLATED
- DIMENSIONS IN BRACKETS ARE IN MILLIMETERS
- INSTALLATION TOOLS :
 UL LISTED AND CSA CERTIFIED: CT-510
 PANDUIT RECOMMENDED: CT-400, CT-460
 CT-500, CT-550, CT-1550, CT-1551,
 CT-2455CH
- WIRE STRIP LENGTH: $7/32^{+1/32}_{-0}$ (5.6^{+0.8}₋₀)



LISTED
587H
E52164



CERTIFIED
LR31212

A41651_00

					PANDUIT CORP. TINLEY PARK, ILLINOIS	
					3PC. NYLON INSULATED, 16-14 BARREL, SHORT LOCKING FORKS	
00	7/97	TM	DWG. RELEASED			
REV	DATE	BY	CHK	DESCRIPTION	ECN #	CUST PM
				DRAWN BY	CHK'D	SCALE
				T SMA		NONE
				DRAWING NO.		A41651