



Chipsmall Limited consists of a professional team with an average of over 10 year of expertise in the distribution of electronic components. Based in Hongkong, we have already established firm and mutual-benefit business relationships with customers from,Europe,America and south Asia,supplying obsolete and hard-to-find components to meet their specific needs.

With the principle of “Quality Parts,Customers Priority,Honest Operation,and Considerate Service”,our business mainly focus on the distribution of electronic components. Line cards we deal with include Microchip,ALPS,ROHM,Xilinx,Pulse,ON,Everlight and Freescale. Main products comprise IC,Modules,Potentiometer,IC Socket,Relay,Connector.Our parts cover such applications as commercial,industrial, and automotives areas.

We are looking forward to setting up business relationship with you and hope to provide you with the best service and solution. Let us make a better world for our industry!



Contact us

Tel: +86-755-8981 8866 Fax: +86-755-8427 6832

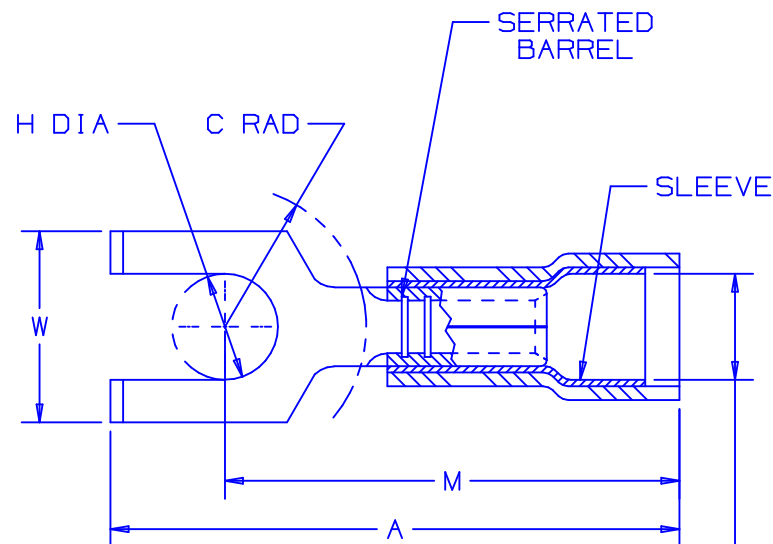
Email & Skype: info@chipsmall.com Web: www.chipsmall.com

Address: A1208, Overseas Decoration Building, #122 Zhenhua RD., Futian, Shenzhen, China



THIS COPY IS PROVIDED ON A RESTRICTED BASIS AND IS NOT TO BE USED IN ANY WAY DETRIMENTAL TO THE INTERESTS OF PANDUIT CORP.

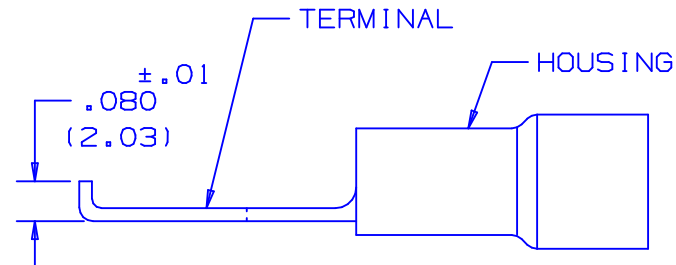
PANDUIT PART NUMBER	STUD SIZE	DIMENSIONS in.				
		A $\pm .03$	W $\pm .01$	C MIN	M $\pm .03$	H $\pm .005$
PN14-6FF	#6	.79 (20.1)	.28 (7.1)	.20 (5.1)	.63 (16.0)	.160 (4.06)
PN14-8FF	#8	.86 (21.8)	.31 (7.9)	.23 (5.8)	.67 (17.0)	.173 (4.39)
PN14-10FF	#10	.86 (21.8)	.36 (9.1)	.23 (5.8)	.67 (17.0)	.198 (5.03)



.162 (4.11)
MAX. INSUL.
DIA.
.080 (2.03)
MIN. WIRE
INSUL DIA.

NOTES:

- UL LISTED AND CSA CERTIFIED FOR:
 - 600V. MAX. BLDG WIRE (1000 V. MAX IN SIGNS, FIXTURES & LUMINAIRES),
 - #18-14 AWG SOLID OR STRANDED COPPER WIRE WITH THE CT-550, CT-500, CT-1550, CT-1551 CT-460 (UL ONLY) AND CT-400 (UL ONLY) INSTALLATION TOOLS.
 - #16-14 AWG SOLID OR STRANDED COPPER WIRE WITH THE CT-100 AND CT-250 INSTALLATION TOOLS.
 - 221°F (105°C) MAX TEMP. RATING
- MATERIAL:
 - STAMPING - .032" (.81) THK COPPER, TIN PLATED
 - HOUSING - NYLON, BLUE
 - SLEEVE - BRASS, TIN PLATED
- STRIP LENGTH - 7/32 $^{+1/32}_{-0}$
- PACKAGE QTY:
 - C=100
 - M=1000
- DIMENSIONS IN BRACKETS ARE IN MILLIMETERS



LISTED
587H
E52164



CERTIFIED
LR31212

A41240_08

08	11/01	SAB		THE TOLERANCE FOR DIMENSION H WAS $\pm .01$				PANDUIT CORP. TINLEY PARK, ILLINOIS #16-14 BARREL NYLON INSUL. FLANGED FORK, .162 (4.11) MAX. WIRE INSUL. DIA.
07	10/01	SAB	SKB	DIMENSION H FOR PN14-6FF WAS .15, (3.81)	09712	BAD	LA	
06	1/01	KMD	SKB	CAD FILE SPEC. WAS N41240AA_PCD_05	08938	CCH	JAC	
05	12/96	JAMB		ADDED DIM., "MIN. WIRE INSUL. DIA." UPDATE NOTES	05381			
REV	DATE	BY	CHK	DESCRIPTION	ECN	PM	CUST	
								DRAWN BY DAW CHK'D CH SCALE NONE DRAWING NO A41240