



Chipsmall Limited consists of a professional team with an average of over 10 year of expertise in the distribution of electronic components. Based in Hongkong, we have already established firm and mutual-benefit business relationships with customers from,Europe,America and south Asia,supplying obsolete and hard-to-find components to meet their specific needs.

With the principle of “Quality Parts,Customers Priority,Honest Operation,and Considerate Service”,our business mainly focus on the distribution of electronic components. Line cards we deal with include Microchip,ALPS,ROHM,Xilinx,Pulse,ON,Everlight and Freescale. Main products comprise IC,Modules,Potentiometer,IC Socket,Relay,Connector.Our parts cover such applications as commercial,industrial, and automotives areas.

We are looking forward to setting up business relationship with you and hope to provide you with the best service and solution. Let us make a better world for our industry!



Contact us

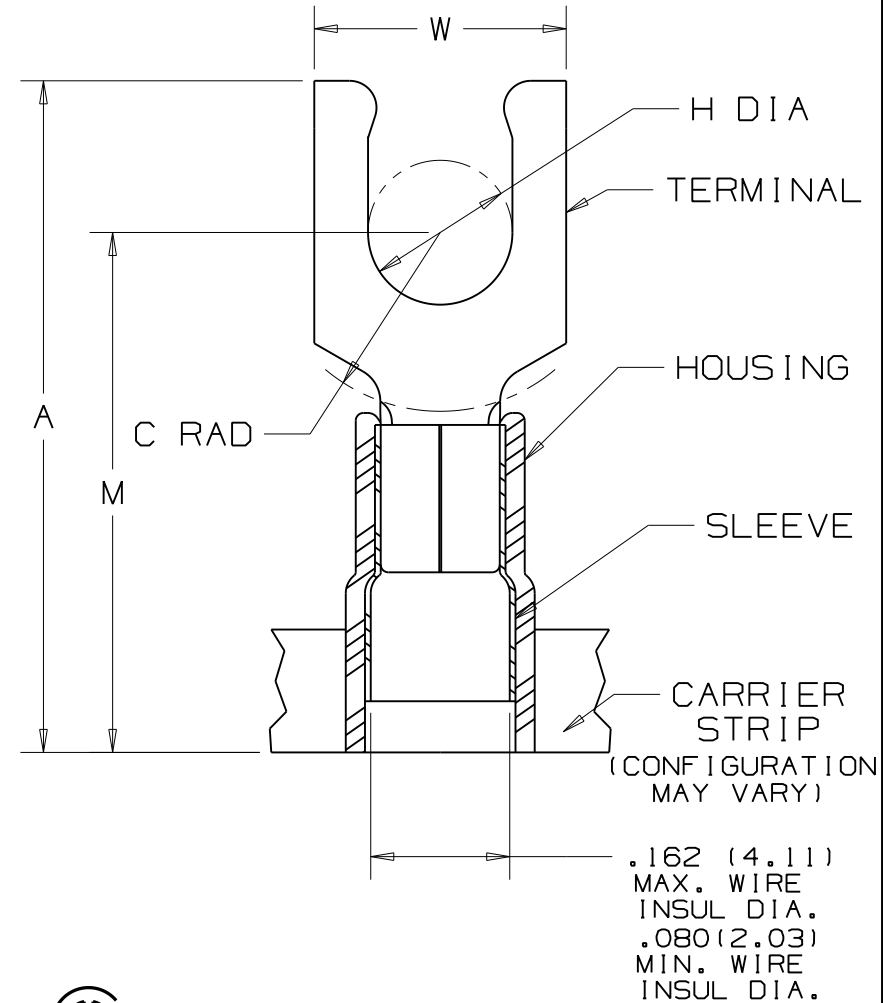
Tel: +86-755-8981 8866 Fax: +86-755-8427 6832

Email & Skype: info@chipsmall.com Web: www.chipsmall.com

Address: A1208, Overseas Decoration Building, #122 Zhenhua RD., Futian, Shenzhen, China



PANDUIT PART NUMBER	STUD SIZE	DIMENSIONS in.				
		A $\pm .030$	W $\pm .010$	C $\pm .020$	M $\pm .030$	H $\pm .010$
PN14-6LF-3K	#6	.85 (21.59)	.25 (6.35)	.18 (4.57)	.63 (16.00)	.14 (3.56)
PN14-8LF-3K	#8	.92 (23.37)	.29 (7.37)	.23 (5.84)	.68 (17.27)	.16 (4.06)
PN14-10LF-3K	#10	.92 (23.37)	.33 (8.38)	.23 (5.84)	.68 (17.27)	.19 (4.83)



NOTES :

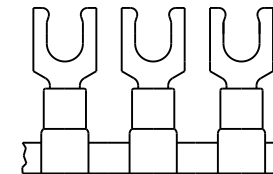
- UL LISTED AND CSA CERTIFIED FOR :
 A. 600 V MAX. VOLTAGE RATING
 B. 221°F (105°C) MAX. TEMP. RATING
 C. #16-14 AWG (1.5-2.5 mm²) SOLID OR STRANDED, COPPER WIRE
- PACKAGE QTY. : 3K = 3000 PCS.
CONTINUOUS MOLDED CARRIER STRIP
- MATERIAL :
 A. STAMPING - .03" THK COPPER, TIN PLATED
 B. HOUSING - BLUE NYLON
 C. SLEEVE - BRASS, TIN PLATED
- DIMENSIONS IN BRACKETS ARE IN MILLIMETERS
- INSTALLATION TOOLS :
 A. PRESSES - CP-851, CP-860, CP-861
 B. APPLICATOR - CA-800
 C. DIE INSERTS - CD-800-2
- STRIP LENGTH: $7/32^{+1/32}_{-0}$ (5.6^{+0.8}₋₀)



LISTED
587H
E52164



CERTIFIED
LR31212



05	11/07	SRB		Removed Part #'s PN14-6LFW-3K, PN14-10LFN-3K, Parts Obsoleted															
REV	DATE	BY	CHK	DESCRIPTION	ECN	CUST	PM	DRAWN BY	CHK'D	SCALE	DRAWING NO.								

PANDUIT

CORP.

TINLEY PARK, ILLINOIS

TERMO 3PC. CONTINUOUSLY MOLDED NYLON INSULATED, 16-14 BARREL, LOCKING FORKS

DRAWN BY: JMV CHK'D: LA SCALE: NONE DRAWING NO.: A41102