



Chipsmall Limited consists of a professional team with an average of over 10 year of expertise in the distribution of electronic components. Based in Hongkong, we have already established firm and mutual-benefit business relationships with customers from,Europe,America and south Asia,supplying obsolete and hard-to-find components to meet their specific needs.

With the principle of “Quality Parts,Customers Priority,Honest Operation,and Considerate Service”,our business mainly focus on the distribution of electronic components. Line cards we deal with include Microchip,ALPS,ROHM,Xilinx,Pulse,ON,Everlight and Freescale. Main products comprise IC,Modules,Potentiometer,IC Socket,Relay,Connector.Our parts cover such applications as commercial,industrial, and automotives areas.

We are looking forward to setting up business relationship with you and hope to provide you with the best service and solution. Let us make a better world for our industry!



Contact us

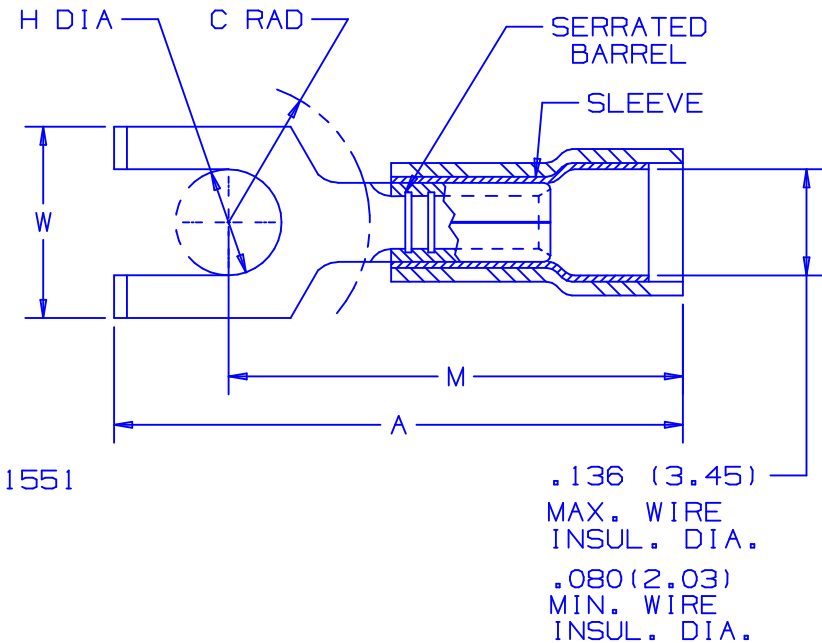
Tel: +86-755-8981 8866 Fax: +86-755-8427 6832

Email & Skype: info@chipsmall.com Web: www.chipsmall.com

Address: A1208, Overseas Decoration Building, #122 Zhenhua RD., Futian, Shenzhen, China

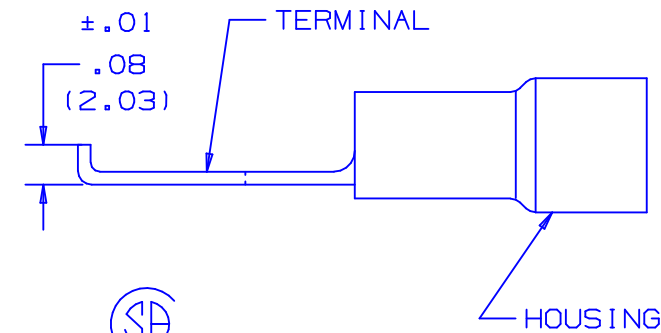


| PANDUIT PART NUMBER | STUD SIZE | DIMENSIONS in. | | | | |
|---------------------|-----------|----------------|---------------|---------------|----------------|---------------|
| | | A $\pm .03$ | W $\pm .01$ | C min | M $\pm .03$ | H $\pm .01$ |
| PN18-6FF | #6 | .81 (20.57) | .28 (7.11) | .20 (5.08) | .65 (16.51) | .15 (3.81) |
| PN18-8FF | #8 | .88 (22.35) | .31 (7.87) | .23 (5.84) | .66 (16.76) | .17 (4.32) |
| PN18-10FF | #10 | .86 (21.84) | .35 (8.89) | .23 (5.84) | .66 (16.76) | .20 (5.08) |



NOTES:

- UL LISTED AND CSA CERTIFIED FOR:
 - 600V. MAX. BLDG WIRE (1000 V. MAX IN SIGNS, FIXTURES & LUMINARIES)
 - #22-16 AWG SOLID OR STRANDED COPPER WIRE WITH THE CT-550, CT-500, CT1550, CT-1551 AND CT-400 (UL ONLY) INSTALLATION TOOLS.
 - #22-18 AWG SOLID OR STRANDED COPPER WIRE WITH THE CT-100 AND CT-250 INSTALLATION TOOLS.
 - 221°F (105°C) MAX TEMP. RATING
- MATERIAL:
 - STAMPING - .032" (.81) THK COPPER, TIN PLATED
 - HOUSING - NYLON, RED
 - SLEEVE - BRASS, TIN PLATED
- STRIP LENGTH - 7/32 ^{+1/32}
- PACKAGE QTY:
 - C=100
 - M=1000
- DIMENSIONS IN BRACKETS ARE IN MILLIMETERS
- MEETS MINIMUM PULL-OUT REQUIREMENTS FOR 24 AWG WIRE BUT IS NOT UL LISTED OR CSA CERTIFIED.



LISTED
587H
E52164



CERTIFIED
LR31212

A41239_07

| REV | DATE | BY | CHK | DESCRIPTION | ECN # | CUST | PM |
|-----|-------|--------|-----|---|-------|------|-----|
| 07 | 10/04 | JHNU | | ADDED NOTE 6. | | | |
| 06 | 1/01 | KMDSKB | | CAD FILE SPEC. WAS N41239AA_PCD_05 | 08938 | JAC | CCH |
| 05 | 12/96 | JAMB | | ADDED DIM., "MIN WIRE INSUL. DIA." UPDATED NOTES | 05372 | | |
| 04 | 10/94 | TH | RLS | REVISED TOOL/WIRE NOTES, DIMENSIONS | 02600 | LA | KS |



CORP. TINLEY PARK, ILLINOIS

#22-18 BARREL NYLON INSULATED FLANGED FORK, .136" (3.45) MAX. WIRE INSUL. DIA.

| | | | |
|----------|-------|-------|-------------|
| DRAWN BY | CHK'D | SCALE | DRAWING NO. |
| DAW | RLS | NONE | A41239 |