



Chipsmall Limited consists of a professional team with an average of over 10 year of expertise in the distribution of electronic components. Based in Hongkong, we have already established firm and mutual-benefit business relationships with customers from,Europe,America and south Asia,supplying obsolete and hard-to-find components to meet their specific needs.

With the principle of “Quality Parts,Customers Priority,Honest Operation,and Considerate Service”,our business mainly focus on the distribution of electronic components. Line cards we deal with include Microchip,ALPS,ROHM,Xilinx,Pulse,ON,Everlight and Freescale. Main products comprise IC,Modules,Potentiometer,IC Socket,Relay,Connector.Our parts cover such applications as commercial,industrial, and automotives areas.

We are looking forward to setting up business relationship with you and hope to provide you with the best service and solution. Let us make a better world for our industry!



Contact us

Tel: +86-755-8981 8866 Fax: +86-755-8427 6832

Email & Skype: info@chipsmall.com Web: www.chipsmall.com

Address: A1208, Overseas Decoration Building, #122 Zhenhua RD., Futian, Shenzhen, China



THIS COPY IS PROVIDED ON A RESTRICTED BASIS AND IS NOT TO BE USED IN ANY WAY DETRIMENTAL TO THE INTERESTS OF PANDUIT CORP.

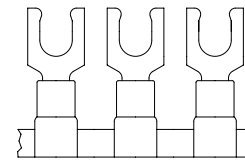
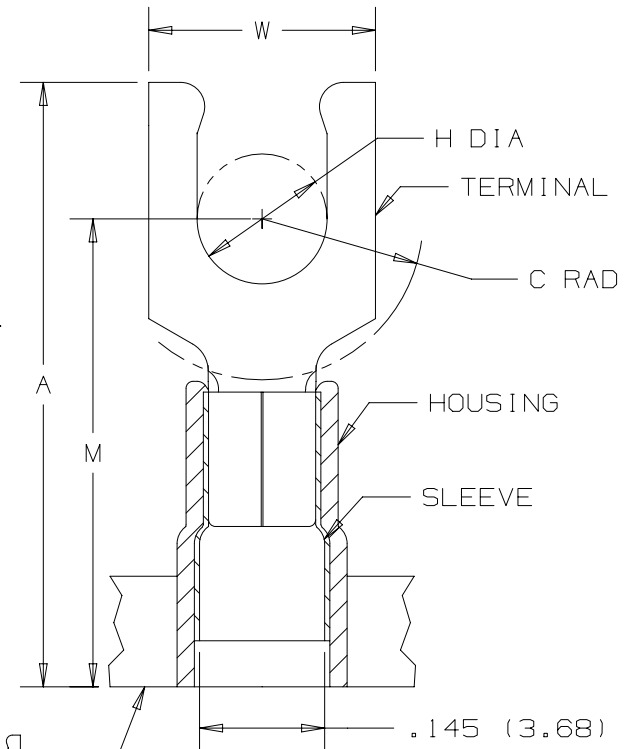
PANDUIT PART #	STUD SIZE		DIMENSIONS in. [mm]					CA9 SERIES CRIMP DIE	CD-800(EZ) SERIES CRIMP DIE
	ENGLISH	METRIC	A ± .03 [0,8]	W ± .01 [0,3]	C ± .02 [0,5]	M ± .03 [0,8]	H ± .01 [0,3]		
PN18-6LF-3K	#6	M3,5	.82 [20,8]	.27 [6,9]	.19 [4,8]	.63 [16,0]	.15 [3,8]	CD9-1A	CD-800-1
PN18-8LF-3K	#8	M4	.89 [22,6]	.29 [7,4]	.23 [5,8]	.68 [17,3]	.16 [4,1]		
PN18-10LF-3K	#10	--	.89 [22,6]	.33 [8,4]	.23 [5,8]	.68 [17,3]	.19 [4,8]		

PRESS/APPLICATOR COMPATIBILITY CHART

PRESS	CP-871	CP-861
APPLICATOR	CA9 CA-800EZ	CA-800

NOTES:

- UL LISTED AND CSA CERTIFIED FOR:
 - A. 600V MAX VOLTAGE RATING
 - B. 221°F (105°C) MAX TEMP RATING
 - C. #22-18 AWG (0.5-1.5 mm²) SOLID OR STRANDED COPPER WIRE
- SEE WWW.PANDUIT.COM FOR PACKAGE QUANTITIES
- MATERIAL:
 - A. STAMPING - .03" THK, COPPER TIN PLATED
 - B. HOUSING - NYLON, RED
 - C. SLEEVE - BRASS, TIN PLATED
- DIMENSIONS IN BRACKETS ARE IN MILLIMETERS
- WIRE STRIP LENGTH: $7/32'' \begin{smallmatrix} +1/32 \\ -0 \end{smallmatrix}$ [5,6mm $\begin{smallmatrix} +,8 \\ -0 \end{smallmatrix}$]



CARRIER STRIP (CONFIGURATION MAY VARY)

.145 (3.68)
MAX WIRE INSUL DIA
.080 (2.03)
MIN. WIRE INSUL DIA.



TITLE		LOCKING FORKS 3 PC. NYLON INSULATED #22-18 BARREL, CONTINUOUS REEL	
ITEM REVISION NAME		N41103BA/10	
DATASET FILE NAME		N41103BA/10	
UNLESS OTHERWISE SPECIFIED, DIMENSIONAL TOLERANCES ARE: IN [mm]		MATERIAL: SEE NOTES	
.X ± .XX ±		.XXX ± ANGLES ±	
THIRD ANGLE PROJECTION		DRAWING NUMBER: A41103	
DRAWN BY	DATE	CHK	SCALE
GRM			NONE
DESCRIPTION		SHT 1 OF 1	
ECN		A	

REV	DATE	BY	CHK	APR	DESCRIPTION	ECN
10	12/16	TMR	TMR	RGB	REVISED CERT, A DIM TOL WAS .02, C WAS .015, M WAS .02	N41103BA-A41103
09	06/14	MBY	JHNU	RGB	REVISED NOTES, MOVED TOOLS TO TABLE, REVISED CERTIFICATION, UPDATED BORDER	N41103BA-A41103

D10100DA/16