



Chipsmall Limited consists of a professional team with an average of over 10 year of expertise in the distribution of electronic components. Based in Hongkong, we have already established firm and mutual-benefit business relationships with customers from,Europe,America and south Asia,supplying obsolete and hard-to-find components to meet their specific needs.

With the principle of “Quality Parts,Customers Priority,Honest Operation,and Considerate Service”,our business mainly focus on the distribution of electronic components. Line cards we deal with include Microchip,ALPS,ROHM,Xilinx,Pulse,ON,Everlight and Freescale. Main products comprise IC,Modules,Potentiometer,IC Socket,Relay,Connector.Our parts cover such applications as commercial,industrial, and automotives areas.

We are looking forward to setting up business relationship with you and hope to provide you with the best service and solution. Let us make a better world for our industry!



Contact us

Tel: +86-755-8981 8866 Fax: +86-755-8427 6832

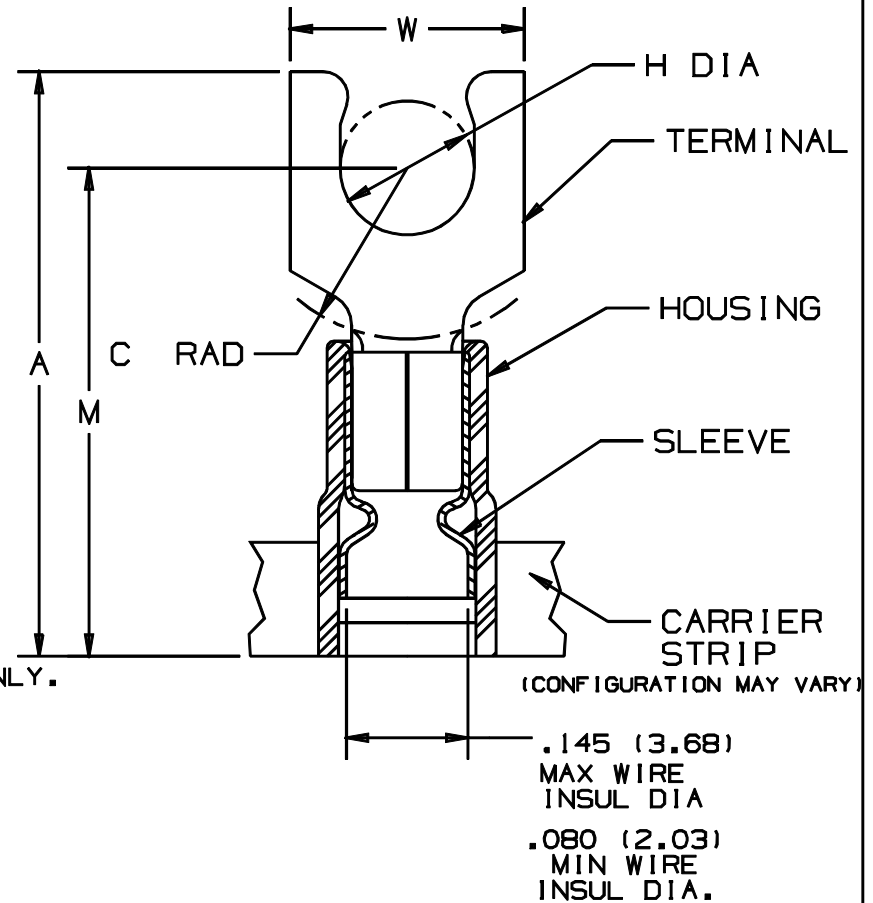
Email & Skype: info@chipsmall.com Web: www.chipsmall.com

Address: A1208, Overseas Decoration Building, #122 Zhenhua RD., Futian, Shenzhen, China



THIS COPY IS PROVIDED ON A RESTRICTED BASIS AND IS NOT TO BE USED IN ANY WAY DETRIMENTAL TO THE INTERESTS OF PANDUIT CORP.

PANDUIT PART NUMBER	STUD SIZE	DIMENSIONS in.				
		A $\pm .03$	W $\pm .01$	C $\pm .02$	M $\pm .03$	H $\pm .01$
PN18-5SLF-3K	#5	.75 (19.05)	.26 (6.60)	.19 (4.83)	.64 (16.26)	.12 (3.05)
PN18-6SLF-3K	#6	.75 (19.05)	.27 (6.86)	.19 (4.83)	.64 (16.26)	.14 (3.56)
PN18-8SLF-3K	#8	.79 (20.07)	.29 (7.37)	.23 (5.84)	.68 (17.27)	.16 (4.06)
PN18-10SLF-3K	#10	.80 (20.32)	.33 (8.38)	.23 (5.84)	.68 (17.27)	.19 (4.83)



NOTES :

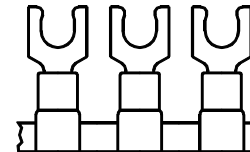
- UL LISTED AND CSA CERTIFIED FOR :
 - 600 V MAX. VOLTAGE RATING
1000 V MAX. IN SIGNS FIXTURES & LUMINAIRES†
 - 221°F (105°C) MAX. TEMP. RATING
 - #22-18 AWG (0.5-1.5 mm²) STRANDED COPPER WIRE ONLY.
- PACKAGE QTY. : 3K = 3000 PCS.
CONTINUOUS MOLDED CARRIER STRIP
- MATERIAL :
 - STAMPING - .03" THK COPPER, TIN PLATED
 - HOUSING - RED NYLON
 - SLEEVE - BRASS, TIN PLATED
- DIMENSIONS IN BRACKETS ARE IN MILLIMETERS
- INSTALLATION TOOLS :
 - PRESSES - CP-851, CP-860, CP-861
 - APPLICATOR - CA-800
 - DIE INSERTS - CD-800-1
- WIRE STRIP LENGTH: $7/32" \pm 1/32" (5.6 \pm .8)$
 $0"$



LISTED
587H
E52164



CERTIFIED
LR31212



A41088_04

04	12/00	ED		FILESPEC WAS: N41088AA_PCD_03	08925					TINLEY PARK, ILLINOIS		
03	11/96	JB		ADDED DIM" .080(2.03) MIN WIRE INSUL DIA."	05423							
02	12/95	ED	RLS	REVISIONS TO TABLE & NOTES	03814		LA	RS	TERMO 3PC. CONTINUOUSLY MOLDED NYLON INSULATED, 22-18 BARREL, SHORT LOCKING FORKS			
1	3/88	FS		REDRAWN WITH REVISIONS			LA	RS				
REV	DATE	BY	CHK	DESCRIPTION	ECN	QA	CUST	PM	DRAWN BY FES	CHK'D FS	SCALE NONE	DRAWING NO. A41088