



Chipsmall Limited consists of a professional team with an average of over 10 year of expertise in the distribution of electronic components. Based in Hongkong, we have already established firm and mutual-benefit business relationships with customers from,Europe,America and south Asia,supplying obsolete and hard-to-find components to meet their specific needs.

With the principle of “Quality Parts,Customers Priority,Honest Operation,and Considerate Service”,our business mainly focus on the distribution of electronic components. Line cards we deal with include Microchip,ALPS,ROHM,Xilinx,Pulse,ON,Everlight and Freescale. Main products comprise IC,Modules,Potentiometer,IC Socket,Relay,Connector.Our parts cover such applications as commercial,industrial, and automotives areas.

We are looking forward to setting up business relationship with you and hope to provide you with the best service and solution. Let us make a better world for our industry!



Contact us

Tel: +86-755-8981 8866 Fax: +86-755-8427 6832

Email & Skype: info@chipsmall.com Web: www.chipsmall.com

Address: A1208, Overseas Decoration Building, #122 Zhenhua RD., Futian, Shenzhen, China

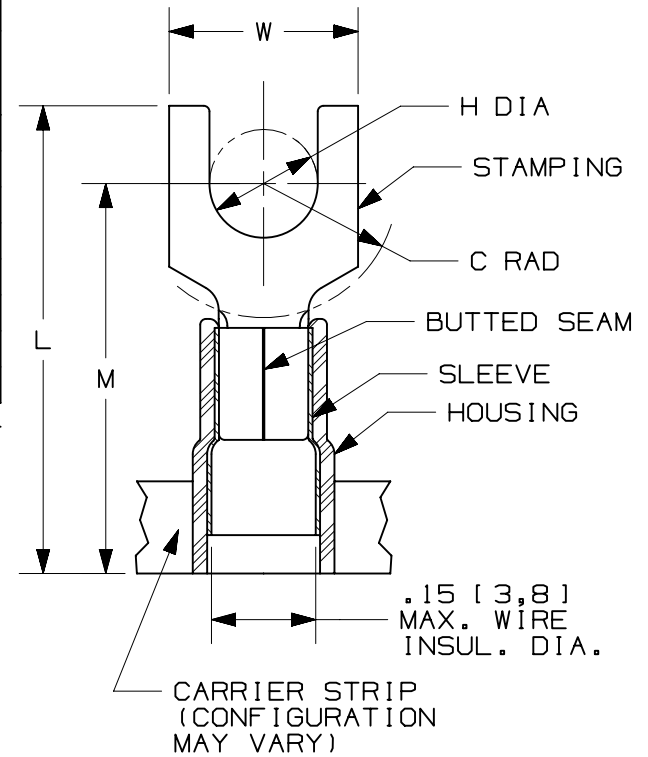


THIS COPY IS PROVIDED ON A RESTRICTED BASIS AND IS NOT TO BE USED IN ANY WAY DETRIMENTAL TO THE INTERESTS OF PANDUIT CORP.

PANDUIT PART #	STUD SIZE		DIMENSIONS in. [mm]					CA9 SERIES CRIMP DIE	CA-800(EZ) SERIES CRIMP DIE
	ENGLISH	METRIC	L ± .03 [0,8]	W ± .01 [0,3]	C ± .02 [0,5]	M ± .03 [0,8]	H ± .01 [0,3]		
PMN1-3F-3K	--	M3	.79 [19,9]	.23 [5,9]	.20 [5,1]	.65 [16,5]	.13 [3,3]	CD9-1A	CD-800-1
PN18-6FN-3K	#6	M3,5	.78 [19,8]	.25 [6,4]	.20 [5,1]	.64 [16,3]	.15 [3,8]		
PN18-6F-3K	#6	M3,5	.78 [19,8]	.30 [7,6]	.20 [5,1]	.64 [16,3]	.15 [3,8]		
PN18-8F-3K	#8	M4	.84 [21,3]	.32 [8,1]	.23 [5,8]	.68 [17,3]	.17 [4,3]		
PN18-10F-3K	#10	--	.86 [21,8]	.35 [8,9]	.25 [6,4]	.70 [17,8]	.20 [5,1]		
PN18-10FN-3K	#10	--	.86 [21,8]	.31 [7,9]	.25 [6,4]	.70 [17,8]	.20 [5,1]		
PMN1-5F-3K	--	M5	.86 [21,8]	.35 [8,9]	.25 [6,4]	.70 [17,8]	.20 [5,1]		
PN18-14F-3K	1/4"	M6	1.03 [26,2]	.44 [11,2]	.33 [8,4]	.78 [19,8]	.27 [6,9]		

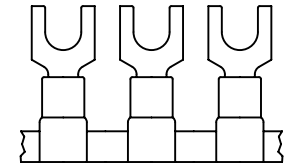
PRESS/APPLICATOR COMPATIBILITY CHART

PRESS	CP-871	CP-861
APPLICATOR	CA9 CA-800EZ	CA-800



NOTES:

- cULus LISTED FOR:
 - A. #22-18 AWG [0,5-1,0 mm²] SOLID OR STRANDED COPPER WIRE
 - B. 221°F [105°C] MAX. OPERATING TEMPERATURE
 - C. 600 V. MAX. VOLTAGE RATING
- SEE www.panduit.com FOR PACKAGE QUANTITIES
- MATERIAL:
 - A. STAMPING: .03" [0,8] THK COPPER, TIN PLATED
 - B. HOUSING: NYLON, RED
 - C. SLEEVE: BRASS, TIN PLATED
- DIMENSIONS IN BRACKETS ARE METRIC EQUIVALENT
- WIRE STRIP LENGTH: 7/32 ^{+1/32} [5,6^{+0,8}]



TITLE		FORK TERMINALS, 3 PC. NYLON INSULATED, #22-18, CONTINUOUS REEL			CUSTOMER DRAWING	
ITEM REVISION NAME		N41096BA/07			PANDUIT	
DATASET FILE NAME		N41096BA_DC/07A				
UNLESS OTHERWISE SPECIFIED, DIMENSIONAL TOLERANCES ARE: IN [mm]		.xxx ± ANGLES ±			MATERIAL: SEE NOTES	
DRAWING NUMBER: A41096		THIRD ANGLE PROJECTION			DRAWING NUMBER: A41096	
DRAWN BY	DATE	CHK	SCALE	SHT 1 OF 1		
JMV	-	-	N.T.S.	A		

REV	DATE	BY	CHK	APR	DESCRIPTION	ECN
07	06/14	MBY	JHNU	RGB	REVISED NOTES, MOVED TOOLS TO TABLE, REVISED CERTIFICATION	N41096BA-A41096
06	09.11.12	JBN	LCA	VMB	ADDED METRIC EQUIVALENT. REVISED NOTES. UPDATED DRAWING TO CURRENT STANDARDS.	A41096

D110100DA/15