



Chipsmall Limited consists of a professional team with an average of over 10 year of expertise in the distribution of electronic components. Based in Hongkong, we have already established firm and mutual-benefit business relationships with customers from,Europe,America and south Asia,supplying obsolete and hard-to-find components to meet their specific needs.

With the principle of “Quality Parts,Customers Priority,Honest Operation,and Considerate Service”,our business mainly focus on the distribution of electronic components. Line cards we deal with include Microchip,ALPS,ROHM,Xilinx,Pulse,ON,Everlight and Freescale. Main products comprise IC,Modules,Potentiometer,IC Socket,Relay,Connector.Our parts cover such applications as commercial,industrial, and automotives areas.

We are looking forward to setting up business relationship with you and hope to provide you with the best service and solution. Let us make a better world for our industry!



Contact us

Tel: +86-755-8981 8866 Fax: +86-755-8427 6832

Email & Skype: info@chipsmall.com Web: www.chipsmall.com

Address: A1208, Overseas Decoration Building, #122 Zhenhua RD., Futian, Shenzhen, China

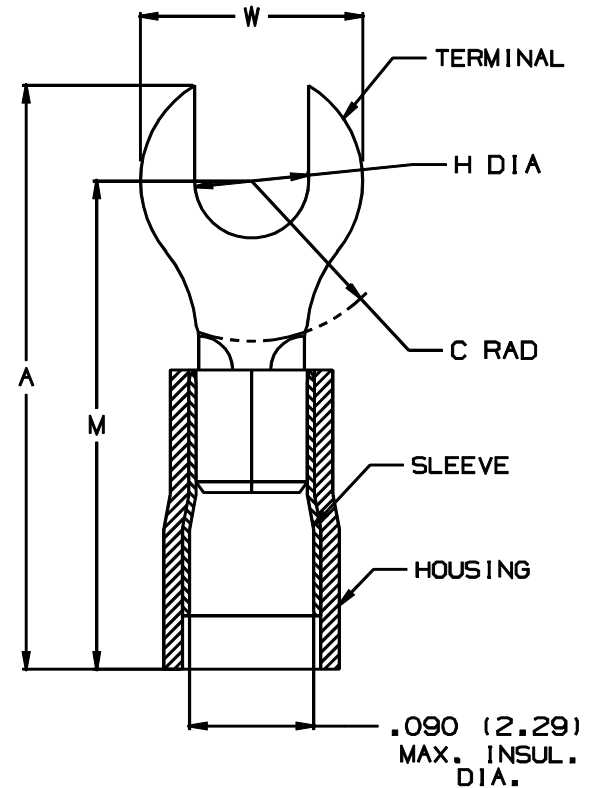


THIS COPY IS PROVIDED ON A RESTRICTED BASIS AND IS NOT TO BE USED IN ANY WAY DETRIMENTAL TO THE INTERESTS OF PANDUIT CORP.

PART NUMBER	STUD SIZE	WIRE RANGE AWG	DIMENSIONS (in.)				
			A \pm .03	W \pm .01	C \pm .01	M \pm .02	H \pm .02
PN22-2F	#2	#26-22	.66 (16.76)	.20 (5.08)	.19 (4.85)	.56 (14.22)	.09 (2.28)

NOTES

- RECOMMENDED FOR:
 - A. 300V MAX. VOLTAGE RATING
 - B. #26-22 AWG SOLID OR STRANDED COPPER WIRE
 - C. 221°F (105°C) MAX TEMP. RATING
- MATERIAL:
 - A. STAMPING: .020 (0.51) THK COPPER, TIN PLATED.
 - B. HOUSING: YELLOW NYLON
 - C. SLEEVE: TIN PLATED BRASS
- PACKAGE QUANTITY: -C = 100
-M = 1000
- DIMENSIONS IN BRACKETS ARE IN MILLIMETERS
- INSTALLATION TOOLS: CT-520, CT-1525
- WIRE STRIP LENGTH : 3/16 \pm 1/32 (4.76 \pm 0.8)



A41234_01

										PANDUIT CORP.		TINLEY PARK, ILLINOIS								
01		JKD		ADDED CT-1525 TOOL						#26-22 BARREL NYLON INSULATED FORK										
00	7/97	TM	RLS	RELEASED						06083	LCA	RM								
REV	DATE	BY	CHK	DESCRIPTION						ECN #	QA	CUST	PM	APP	DRAWN BY	CHK'D	SCALE	NONE	DRAWING NO.	A41234