



Chipsmall Limited consists of a professional team with an average of over 10 year of expertise in the distribution of electronic components. Based in Hongkong, we have already established firm and mutual-benefit business relationships with customers from,Europe,America and south Asia,supplying obsolete and hard-to-find components to meet their specific needs.

With the principle of “Quality Parts,Customers Priority,Honest Operation,and Considerate Service”,our business mainly focus on the distribution of electronic components. Line cards we deal with include Microchip,ALPS,ROHM,Xilinx,Pulse,ON,Everlight and Freescale. Main products comprise IC,Modules,Potentiometer,IC Socket,Relay,Connector.Our parts cover such applications as commercial,industrial, and automotives areas.

We are looking forward to setting up business relationship with you and hope to provide you with the best service and solution. Let us make a better world for our industry!



Contact us

Tel: +86-755-8981 8866 Fax: +86-755-8427 6832

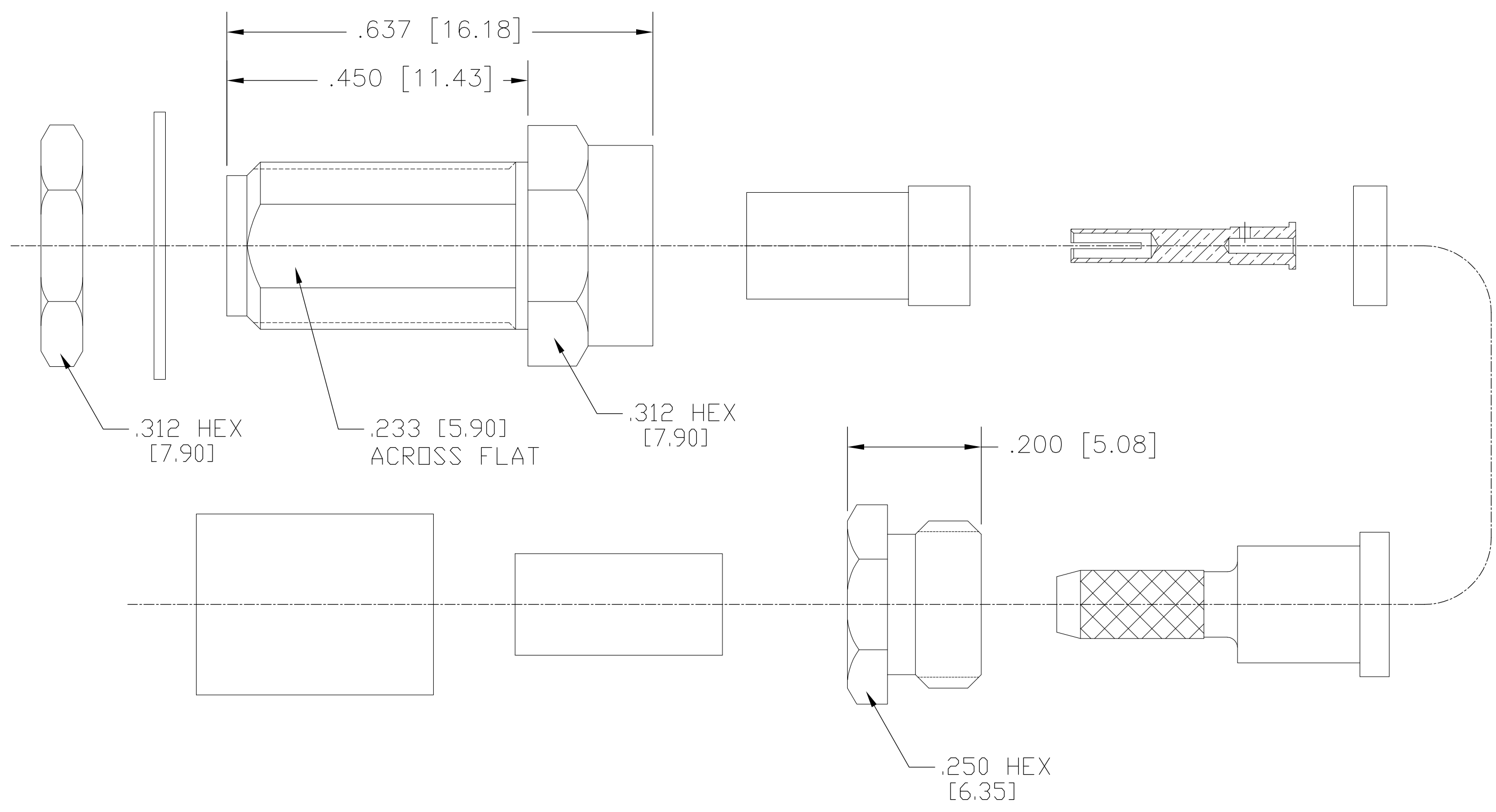
Email & Skype: info@chipsmall.com Web: www.chipsmall.com

Address: A1208, Overseas Decoration Building, #122 Zhenhua RD., Futian, Shenzhen, China



THIS DRAWING IS UNPUBLISHED. RELEASED FOR PUBLICATION
 © COPYRIGHT BY TYCO ELECTRONICS CORPORATION. ALL RIGHTS RESERVED.

LOC	DIST	REVISIONS					
AJ	00	P	LTR	DESCRIPTION	DATE	DWN	APVD
		C		REV PER ECO-09-027745	17DEC2009	AM	BOB



NOTES:
 1. DESIGNED FOR RG174/U,179,187,188,316 CABLE

- ① BRASS
- ② STAINLESS STEEL
- ③ BERYLLIUM COPPER
- ④ PHOSPHOR BRONZE
- ⑤ PTFE
- ⑥ SILICONE RUBBER
- ⑦ GOLD PLATE
- ⑧ NICKEL PLATE
- ⑨ PASSIVATE
- ⑩ POLYOLEFIN COMPOUND

ELECTRICAL	MECHANICAL	ENVIRONMENTAL
Nominal Impedance (Ohms) <u>50</u>	Interface Dimensions MIL-STD-348A, Fig. 310.1	TEMPERATURE RATING -40° TO +95° DURABILITY:500 CYCLES
Frequency Range (GHz) DC to 6	Recommended Mating Torque <u>7-10 In-Lbs</u>	
Volt Rating (VRMS MAX) @ Sea Level <u>250</u>	Mating Characteristics:	$.XXX = \text{in}$ $X.XX = \text{mm}$
VSWR <u>1.18 + .02f(GHz)</u>	Insertion (MAX Lbs) N/A	
Insertion Loss (dB MAX) <u>.07 √f GHz</u>	Withdrawal (MIN Oz) N/A	
Dielectric Withstanding Voltage (VRMS MIN) @ Sea Level <u>750</u>	Force to Engage and Disengage (In-Lbs MAX) <u>2</u>	
Contact Resistance (Milliohms MAX)	Center Contact Captivation Axial (Lbs) <u>6 Min</u>	
Center Contact <u>5.0</u>	Radial (In-Oz) N/A	
Outer Contact <u>3.0</u>	Cable Retention Axial Force (Lbs) <u>20 MIN</u>	
Cable to Housing <u>0.5</u>	Torque (In-Oz) N/A	
RF High Potential @ Sea Level (VRMS MIN @ 5 MHz) <u>500</u>	Weight (Grams) <u>TBD</u>	
I.R.(Megohms MIN) <u>5,000</u>		

---	① ⑧	① ⑧	③ ⑦	⑤	⑥	① ⑧	④ ⑧	① ⑧	1051933-3
⑩	① ⑦	② ⑦	③ ⑦	⑤	⑥	② ⑦	④ ⑦	② ⑦	1051933-1
SHRINK TUBING	FERRULE	CLAMP NUT	CENTER CONTACT	DIELE-CTRIC	GASKET	HOUSING & SLEEVE	LOCK WASHER	MOUNTING NUT	TE PN.

THIS DRAWING IS A CONTROLLED DOCUMENT.

DWN ANSON MA 2Jul09	Tyco Electronics Corporation Kunshan, Jiangsu, RPC 215312
CHK RITA ZUO 2Jul09	
APVD BOB_ZHAO 2Jul09	
PRODUCT SPEC 108-112002	
APPLICATION SPEC 408-4804	NAME
WEIGHT -	SMA STRAIGHT CABLE JACK CLAMP ATTACHMENT
CUSTOMER DRAWING	SIZE A2 CAGE CODE 00779 DRAWING NO C=1051933 RESTRICTED TO -
	SCALE 5:1 SHEET 1 of 1 REV C

1051933