



Chipsmall Limited consists of a professional team with an average of over 10 year of expertise in the distribution of electronic components. Based in Hongkong, we have already established firm and mutual-benefit business relationships with customers from,Europe,America and south Asia,supplying obsolete and hard-to-find components to meet their specific needs.

With the principle of “Quality Parts,Customers Priority,Honest Operation,and Considerate Service”,our business mainly focus on the distribution of electronic components. Line cards we deal with include Microchip,ALPS,ROHM,Xilinx,Pulse,ON,Everlight and Freescale. Main products comprise IC,Modules,Potentiometer,IC Socket,Relay,Connector.Our parts cover such applications as commercial,industrial, and automotives areas.

We are looking forward to setting up business relationship with you and hope to provide you with the best service and solution. Let us make a better world for our industry!



## Contact us

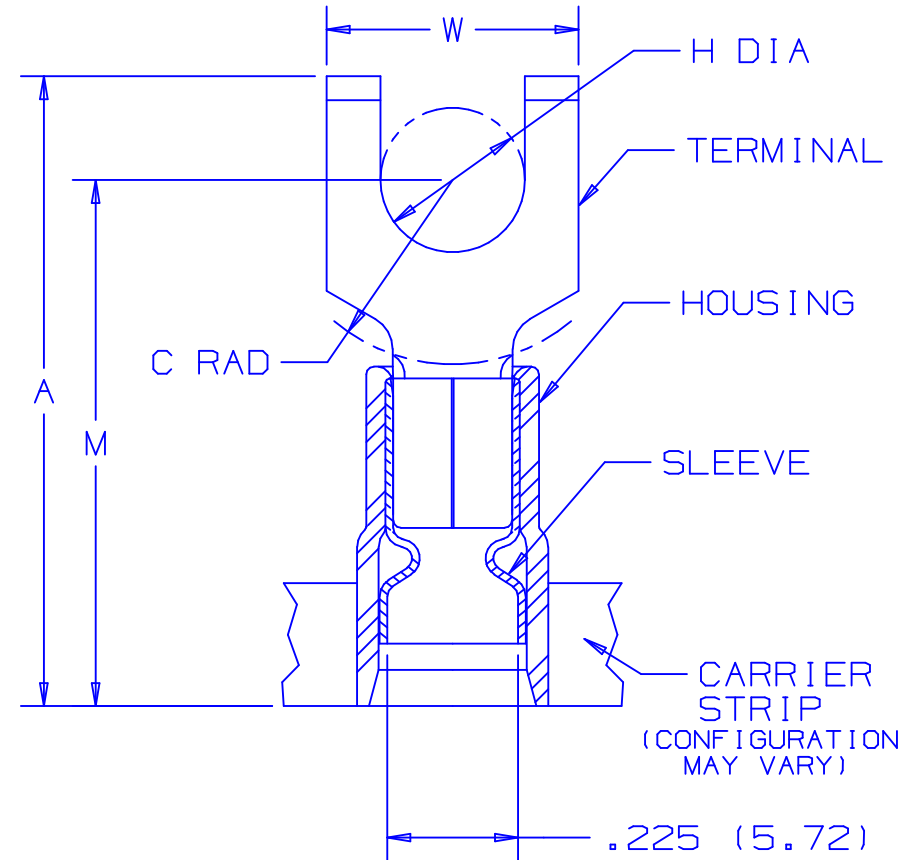
Tel: +86-755-8981 8866 Fax: +86-755-8427 6832

Email & Skype: info@chipsmall.com Web: www.chipsmall.com

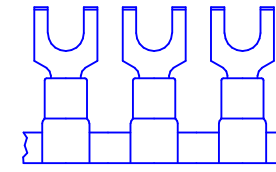
Address: A1208, Overseas Decoration Building, #122 Zhenhua RD., Futian, Shenzhen, China



PANDUIT PART NUMBER	STUD SIZE	DIMENSIONS in.				
		A $\pm .040$	W $\pm .010$	C $\pm .020$	M $\pm .040$	H $\pm .010$
PNF10-8FF-2K	#8	1.05 (26.67)	.38 (9.65)	.24 (6.09)	.80 (20.32)	.17 (4.32)
PNF10-10FF-2K	#10	1.05 (26.67)	.38 (9.65)	.24 (6.09)	.80 (20.32)	.20 (5.08)



.225 (5.72)  
MAX WIRE  
INSUL DIA.  
.135 (3.43)  
MIN. WIRE  
INSUL. DIA.



NOTES :

- UL LISTED AND CSA CERTIFIED FOR :  
A. 600 V MAX. VOLTAGE RATING  
B. 221°F (105°C) MAX. TEMP. RATING  
C. #12-10 AWG (2.5-6.0 mm<sup>2</sup>) SOLID OR STRANDED, COPPER WIRE
- PACKAGE QTY. : 2K = 2000 PCS.  
CONTINUOUS MOLDED CARRIER STRIP
- MATERIAL :  
A. STAMPING - .04" THK COPPER, TIN PLATED  
B. HOUSING - YELLOW NYLON  
C. SLEEVE - BRASS, TIN PLATED
- DIMENSIONS IN BRACKETS ARE IN MILLIMETERS
- INSTALLATION TOOLS :  
A. PRESSES - CP-851, CP-860, CP-861  
B. APPLICATOR - CA-800  
C. DIE INSERTS - CD-800-3

6. WIRE STRIP LENGTH:  $11/32^{+1/32}_{-0}$  (8.7<sup>+0.8</sup><sub>-0</sub>)



LISTED  
587H  
E52164



CERTIFIED  
LR31212

A41136\_06

06	6/04	JHNU		REVISED P/N'S IN TABLE: 2K WAS 3K.						 CORP. TINLEY PARK, ILLINOIS  TERMO 3PC. CONTINUOUSLY MOLDED NYLON (FUNNEL) INSULATED, 12-10 BARREL, FLANGED FORKS		
05	12/00	ED	SKB	FILESPEC WAS: N41136AA_PCD_04	08925	--	JAC	CCH				
04	5/99	ED		UPDATED "A"&"M" DIM.S, AND MODIFIED DIMENSIONAL TOLERANCES	07670							
03	1/96	JAMB	RLS	ADDED DIM., "MIN. WIRE INSULATION DIA."	05441		LA	DBH				
REV	DATE	BY	CHK	DESCRIPTION	ECN	QA	CUST	PM	DRAWN BY GRM	CHK'D FS	SCALE NONE	DRAWING NO. A41136