



Chipsmall Limited consists of a professional team with an average of over 10 year of expertise in the distribution of electronic components. Based in Hongkong, we have already established firm and mutual-benefit business relationships with customers from,Europe,America and south Asia,supplying obsolete and hard-to-find components to meet their specific needs.

With the principle of “Quality Parts,Customers Priority,Honest Operation,and Considerate Service”,our business mainly focus on the distribution of electronic components. Line cards we deal with include Microchip,ALPS,ROHM,Xilinx,Pulse,ON,Everlight and Freescale. Main products comprise IC,Modules,Potentiometer,IC Socket,Relay,Connector.Our parts cover such applications as commercial,industrial, and automotives areas.

We are looking forward to setting up business relationship with you and hope to provide you with the best service and solution. Let us make a better world for our industry!



## Contact us

Tel: +86-755-8981 8866 Fax: +86-755-8427 6832

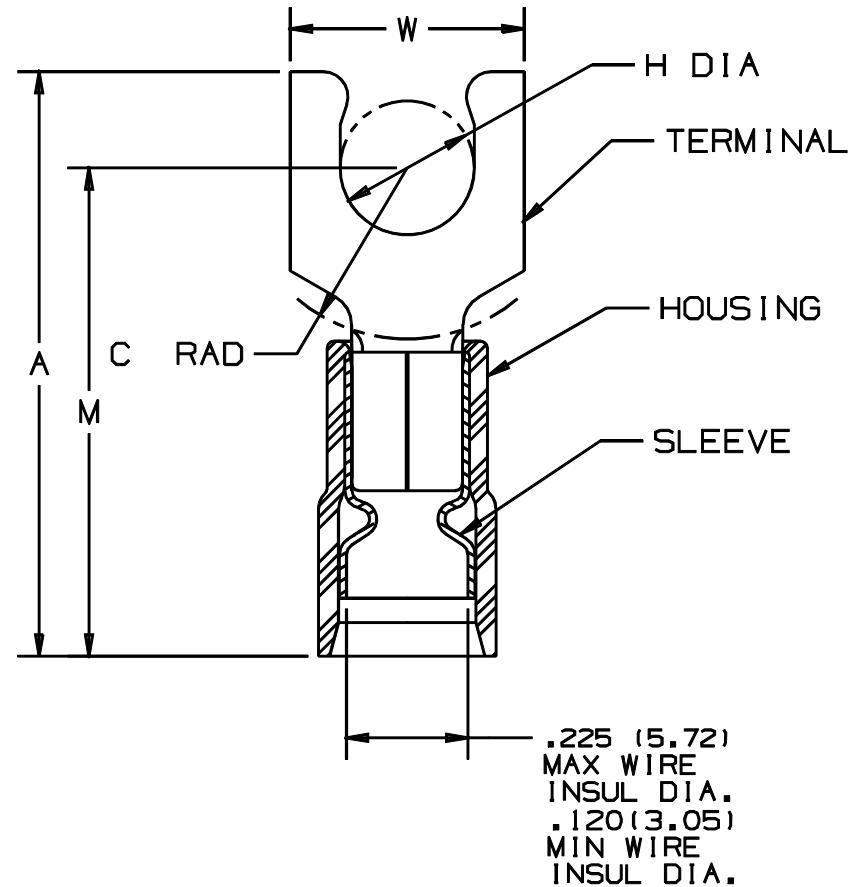
Email & Skype: info@chipsmall.com Web: www.chipsmall.com

Address: A1208, Overseas Decoration Building, #122 Zhenhua RD., Futian, Shenzhen, China



THIS COPY IS PROVIDED ON A RESTRICTED BASIS AND IS NOT TO BE USED IN ANY WAY DETRIMENTAL TO THE INTERESTS OF PANDUIT CORP.

PANDUIT PART NUMBER	STUD SIZE	DIMENSIONS in.				
		A ±.04	W ±.01	C ±.03	M ±.04	H ±.01
PNF10-5SLF	#5	.86 (21.84)	.25 (6.35)	.17 (4.32)	.75 (19.05)	.12 (3.05)
PNF10-6SLF	#6	.91 (23.11)	.25 (6.35)	.17 (4.32)	.75 (19.05)	.14 (3.56)
PNF10-8SLF	#8	.92 (23.37)	.29 (7.37)	.22 (5.59)	.79 (20.07)	.16 (4.06)
PNF10-10SLF	#10	.93 (23.62)	.33 (8.38)	.22 (5.59)	.79 (20.07)	.19 (4.83)
PNF10-14SLF	1/4"	1.02 (25.91)	.45 (11.43)	.28 (7.11)	.85 (21.59)	.25 (6.35)



NOTES :

- UL LISTED AND CSA CERTIFIED FOR :
  - 600 V MAX. VOLTAGE RATING (1000V. MAX. IN SIGNS, FIXTURES AND LUMINARIES)
  - 221°F (105°C) MAX. TEMP. RATING
  - #12-10 AWG STRANDED COPPER WIRE ONLY.
- PACKAGE QTY. : -L = 50  
-D = 500
- MATERIAL :
  - STAMPING - .04" THK COPPER, TIN PLATED
  - HOUSING - YELLOW NYLON
  - SLEEVE - BRASS, TIN PLATED
- DIMENSIONS IN BRACKETS ARE IN MILLIMETERS
- INSTALLATION TOOLS :  
CT-550, CT-1550, CT-1551
- WIRE STRIP LENGTH: 9/32" + 1/32"  
- 0"



LISTED  
587H  
E52164



CERTIFIED  
LR31212

A41584\_03

03	1/01	RM		FILESPEC WAS N41584AA_PCD_02				<b>PANDUIT</b> CORP. TINLEY PARK, ILLINOIS			
02	5/99	ED		UPDATED "A"&"M" DIM.S. AND MODIFIED DIMENSIONAL TOLERANCES	07669						
01	12/96	JAMB	RLS	ADDED DIM. "MIN WIRE INSUL DIA. UPDATED NOTES	05435	LA	DBH	#12-10 BARREL SHORT LOCKING FORK, NYLON INSULATED, FUNNELED WIRE ENTRY, .225 MAX WIRE INSULATION DIAMETER			
00	12/95	ED	RLS	RELEASED	03816	LA	KS				
REV	DATE	BY	CHK	DESCRIPTION	ECN	CUST	PM	DRAWN BY EJD	CHK'D LA	SCALE NONE	DRAWING NO. A41584