



Chipsmall Limited consists of a professional team with an average of over 10 year of expertise in the distribution of electronic components. Based in Hongkong, we have already established firm and mutual-benefit business relationships with customers from,Europe,America and south Asia,supplying obsolete and hard-to-find components to meet their specific needs.

With the principle of “Quality Parts,Customers Priority,Honest Operation,and Considerate Service”,our business mainly focus on the distribution of electronic components. Line cards we deal with include Microchip,ALPS,ROHM,Xilinx,Pulse,ON,Everlight and Freescale. Main products comprise IC,Modules,Potentiometer,IC Socket,Relay,Connector.Our parts cover such applications as commercial,industrial, and automotives areas.

We are looking forward to setting up business relationship with you and hope to provide you with the best service and solution. Let us make a better world for our industry!



Contact us

Tel: +86-755-8981 8866 Fax: +86-755-8427 6832

Email & Skype: info@chipsmall.com Web: www.chipsmall.com

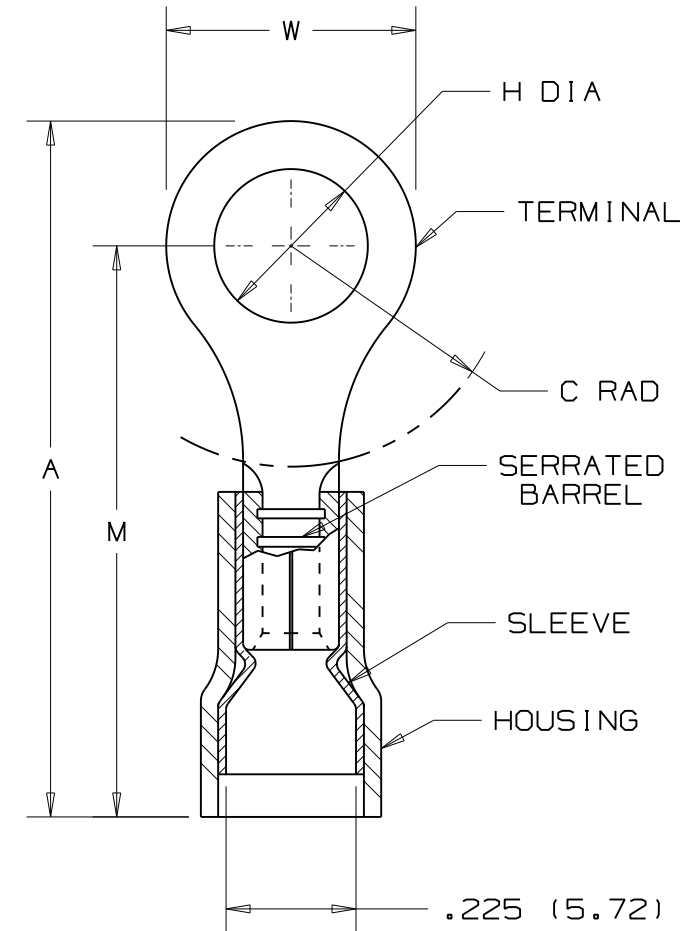
Address: A1208, Overseas Decoration Building, #122 Zhenhua RD., Futian, Shenzhen, China



PANDUIT PART NUMBER	MILITARY PART NO. AND CLASS	STUD SIZE	DIMENSIONS in.				
			A $\pm .04$ (1.02)	W $\pm .01$ (.25)	C ^{MIN}	M $\pm .04$ (1.02)	H $\pm .01$ (.25)
PNF10-6R	MS25036-111 CLASS 1 & 2	#6	1.05 (26.57)	.38 (9.53)	.31 (7.85)	.86 (21.82)	.15 (3.73)
PNF10-8R	MS25036-156 CLASS 1 & 2	#8	1.05 (26.57)	.38 (9.53)	.31 (7.85)	.86 (21.82)	.17 (4.39)
PNF10-10R	MS25036-112 CLASS 1 & 2	#10	1.05 (26.57)	.38 (9.53)	.31 (7.85)	.86 (21.82)	.20 (5.03)
PNF10-14R	MS25036-157 CLASS 1 & 2	1/4"	1.19 (30.30)	.52 (13.30)	.38 (9.65)	.93 (23.70)	.27 (6.79)
PNF10-56R	MS25036-113 CLASS 1 & 2	5/16"	1.19 (30.30)	.52 (13.30)	.38 (9.65)	.93 (23.70)	.33 (8.39)
PNF10-38R	MS25036-114 CLASS 1 & 2	3/8"	1.27 (32.33)	.58 (14.73)	.43 (10.87)	.98 (24.97)	.39 (9.97)

NOTES:

- 1) UL LISTED AND CSA CERTIFIED FOR:
 - A. 600V. MAX. BLDG. WIRE (1000V. MAX. IN SIGNS, FIXTURES & LUMINARIES)
 - B. 221°F. (105°C) MAX. TEMP. RATING
 - C. #12-10 AWG SOLID OR STRANDED COPPER WIRE WITH THE CT-2500 INSTALLATION TOOL AND CT-2550CH CRIMP HEAD
 - D. #12-10 AWG STRANDED AND #12 AWG SOLID COPPER WIRE WITH THE CT-1550 AND CT-1551 INST. TOOLS
 - E. #12-10 AWG SOLID OR STRANDED COPPER WIRE WITH THE CT-100A INSTALLATION TOOL.
 - F. MIL CLASS 2 WITH THE CT-460 INSTALLATION TOOL
- 2) MATERIAL:
 - A. STAMPING- .04" (1.02) THK. COPPER, TIN PLATED
 - B. HOUSING- NYLON, YELLOW
 - C. SLEEVE- BRASS, TIN PLATED
- 3) WIRE STRIP LENGTH- 9/32" +1/32, -0 (7.1, +.8, -0)
- 4) SEE www.panduit.com FOR PART NUMBER SUFFIX DESIGNATION FOR PACKAGE SIZE.
- 5) DIMENSIONS IN PARENTHESIS ARE IN MILLIMETERS



LISTED
587H
E52164



CERTIFIED
LR31212

.225 (5.72)
MAX. WIRE
INSUL DIA.
.135 (3.43)
MIN. WIRE
INSUL DIA.

N41277BA/08

			PANDUIT CORP. TINLEY PARK, ILLINOIS						
08	12/16/11	FS	Obsolete installation tools removed, UL information clarified, general dimensional updates.		#12-10 NYLON INSULATED FUNNELED WIRE ENTRY RING TONGUE, .225 (5.72) MAX. WIRE INSULATION DIAMETER				
07	5/11	SRB	ADDED note #4						
REV	DATE	BY	DESCRIPTION	CUST	PM	DRAWN BY DAW	CHK'D RLS	SCALE NONE	DRAWING NO. A41277