



Chipsmall Limited consists of a professional team with an average of over 10 year of expertise in the distribution of electronic components. Based in Hongkong, we have already established firm and mutual-benefit business relationships with customers from,Europe,America and south Asia,supplying obsolete and hard-to-find components to meet their specific needs.

With the principle of “Quality Parts,Customers Priority,Honest Operation,and Considerate Service”,our business mainly focus on the distribution of electronic components. Line cards we deal with include Microchip,ALPS,ROHM,Xilinx,Pulse,ON,Everlight and Freescale. Main products comprise IC,Modules,Potentiometer,IC Socket,Relay,Connector.Our parts cover such applications as commercial,industrial, and automotives areas.

We are looking forward to setting up business relationship with you and hope to provide you with the best service and solution. Let us make a better world for our industry!



Contact us

Tel: +86-755-8981 8866 Fax: +86-755-8427 6832

Email & Skype: info@chipsmall.com Web: www.chipsmall.com

Address: A1208, Overseas Decoration Building, #122 Zhenhua RD., Futian, Shenzhen, China



THIS COPY IS PROVIDED ON A RESTRICTED BASIS AND IS NOT TO BE USED IN ANY WAY DETRIMENTAL TO THE INTERESTS OF PANDUIT CORP.

PANDUIT PART NUMBER	STUD SIZE	DIMENSIONS in.				
		A $\pm .030$	W $\pm .010$	C $\pm .020$	M $\pm .030$	H $\pm .005$
PNF14-6FF-3K	#6	.80 (20.32)	.28 (7.11)	.19 (4.83)	.64 (16.26)	.160 (4.06)
PNF14-8FF-3K	#8	.87 (22.09)	.31 (7.87)	.23 (5.84)	.68 (17.27)	.173 (4.39)
PNF14-10FF-3K	#10	.87 (22.09)	.35 (8.89)	.23 (5.84)	.68 (17.27)	.198 (5.03)

NOTES :

- UL LISTED AND CSA CERTIFIED FOR :
 - 600 V MAX. VOLTAGE RATING
 - 221°F (105°C) MAX. TEMP. RATING
 - #16-14 AWG (1.3-2.0 mm) SOLID OR STRANDED, COPPER WIRE
- PACKAGE QTY. : 3K = 3000 PCS.
CONTINUOUS MOLDED CARRIER STRIP
- MATERIAL :
 - STAMPING - .03" THK COPPER, TIN PLATED
 - HOUSING - BLUE NYLON
 - SLEEVE - BRASS, TIN PLATED
- DIMENSIONS IN BRACKETS ARE IN MILLIMETERS
- INSTALLATION TOOLS :
 - PRESSES - CP-851, CP-860, CP-861
 - APPLICATOR - CA-800
 - DIE INSERTS - CD-800-2

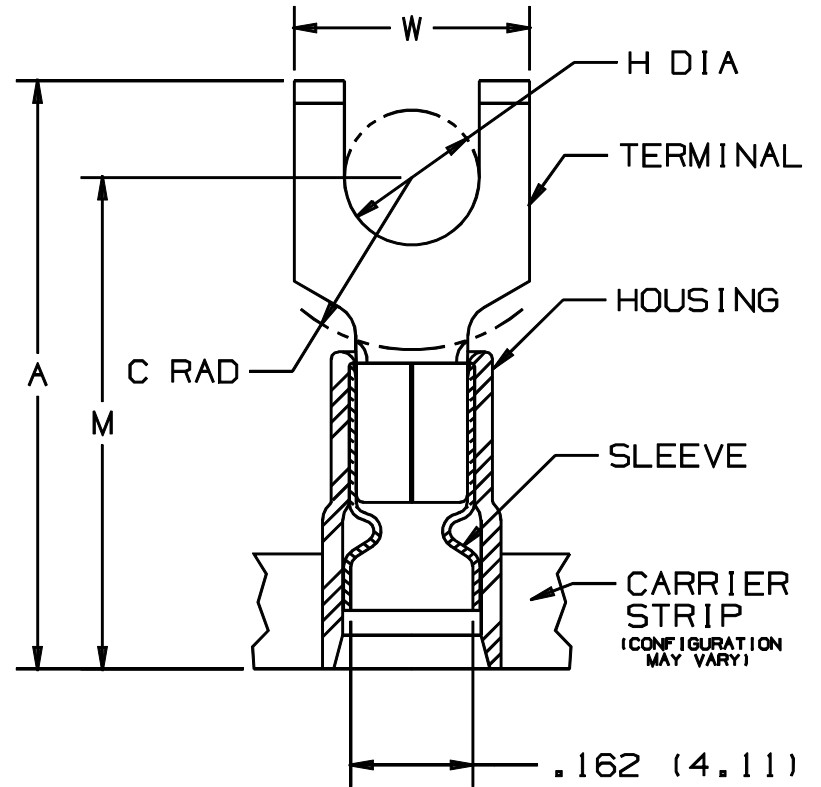
6. WIRE STRIP LENGTH $1/4^{+1/32}_{-0}$ (6.4 $^{+.8}_{-0}$)



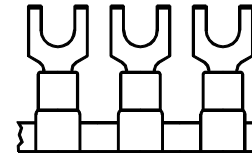
LISTED
587H
E52164



CERTIFIED
LR31212



MAX WIRE
INSUL DIA
.080 (2.03)
MIN. WIRE
INSUL. DIA.



07	11/01	SAB		THE TOLERANCE FOR DIM H WAS $\pm .010$, UPDATED H DIMENSIONS TO CORRESPOND WITH TOLERANCE CHANGE			
06	10/01	SAB	SKB	DIM H FOR PNF14-6FF-3K WAS .15, (3.81)	09707	BAD	JAC
05	12/00	ED	SKB	FILESPEC WAS: N41137AA_PCD_04	08925	CCH	JAC
04	1/97	JAMB		ADDED DIM., "MIN. WIRE INSULATION DIA."	05407		
03	9/96	TSM	RLS	REVISED DIMS., TOLERANCES, ADD NOTE #6	05070	DBH	LA
REV	DATE	BY	CHK	DESCRIPTION	ECN	PM	CUST

A41137_07

PANDUIT CORP.

TINLEY PARK, ILLINOIS

TERMO 3PC, CONTINUOUSLY MOLDED NYLON (FUNNEL)
INSULATED, 16-14 BARREL, FLANGED FORKS

DRAWN BY GRM
CHK'D FS
SCALE NONE
DRAWING NO A41137