



Chipsmall Limited consists of a professional team with an average of over 10 year of expertise in the distribution of electronic components. Based in Hongkong, we have already established firm and mutual-benefit business relationships with customers from,Europe,America and south Asia,supplying obsolete and hard-to-find components to meet their specific needs.

With the principle of “Quality Parts,Customers Priority,Honest Operation,and Considerate Service”,our business mainly focus on the distribution of electronic components. Line cards we deal with include Microchip,ALPS,ROHM,Xilinx,Pulse,ON,Everlight and Freescale. Main products comprise IC,Modules,Potentiometer,IC Socket,Relay,Connector.Our parts cover such applications as commercial,industrial, and automotives areas.

We are looking forward to setting up business relationship with you and hope to provide you with the best service and solution. Let us make a better world for our industry!



## Contact us

Tel: +86-755-8981 8866 Fax: +86-755-8427 6832

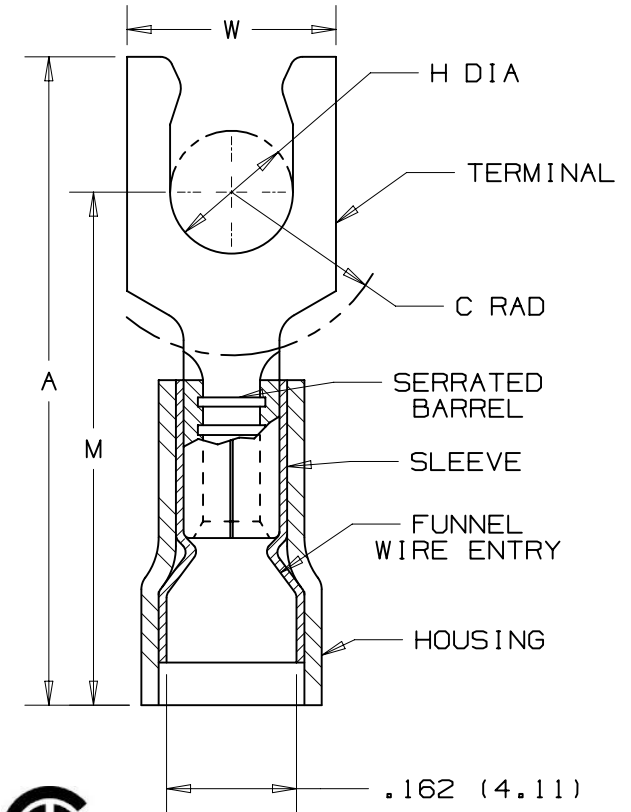
Email & Skype: info@chipsmall.com Web: www.chipsmall.com

Address: A1208, Overseas Decoration Building, #122 Zhenhua RD., Futian, Shenzhen, China



THIS COPY IS PROVIDED ON A RESTRICTED BASIS AND IS NOT TO BE USED IN ANY WAY DETRIMENTAL TO THE INTERESTS OF PANDUIT CORP.

PANDUIT PART NUMBER	STUD SIZE	DIMENSIONS - in.					TOOLS
		A ± .03	W ± .01	C ± .02	M ± .03	H ± .01	
PNF14-6LF	#6	.87 (22.10)	.25 (6.35)	.20 (5.08)	.65 (16.51)	.14 (3.56)	CT-100A +CT-400 +CT-460 *CT-600-A (CT-550CH) *CT-1550 *CT-1551 *CT-2500 (CT-2550CH)
PNF14-6LFW	#6	.84 (21.34)	.29 (7.37)	.20 (5.08)	.65 (16.51)	.14 (3.56)	
PNF14-8LF	#8	.93 (23.62)	.29 (7.37)	.25 (6.35)	.70 (17.78)	.16 (4.06)	
PNF14-10LF	#10	.93 (23.62)	.33 (8.38)	.25 (6.35)	.70 (17.78)	.19 (4.83)	



\*USED FOR #18-14 AWG SOLID OR STRANDED COPPER WIRE  
 +UL LISTED ONLY WITH #18-14 AWG SOLID OR STRANDED COPPER WIRE

NOTES:

- UL LISTED AND CSA CERTIFIED FOR:
  - A. 600V MAX. BLDG WIRE
  - 1000V MAX. IN SIGNS, FIXTURES & LUMINARIES
  - B. 221°F (105°C) MAX TEMP. RATING
  - C. #16-14 AWG SOLID OR STRANDED, COPPER WIRE
- SEE WWW.PANDUIT.COM FOR PACKAGE QUANTITIES
- MATERIAL:
  - A. STAMPING - .032" THK COPPER, TIN PLATED
  - B. HOUSING - NYLON, BLUE
  - C. SLEEVE - BRASS, TIN PLATED
- DIMENSIONS IN BRACKETS ARE IN MILLIMETERS
- WIRE STRIP LENGTH: 7/32 + 1/32 (5.6 + .8)  
 - 0 - 0



.162 (4.11)  
 MAX. WIRE  
 INSUL. DIA.  
 .080 (2.03)  
 MIN. WIRE  
 INSUL. DIA.

TITLE		#16-14 BARREL NYLON INSULATED LOCKING FORK, FUNNELED WIRE ENTRY, .162 [4.11] MAX. WIRE INSULATION DIAMETER	
CUSTOMER DRAWING			
ITEM REVISION NAME	N41294BB/09	<b>PANDUIT</b>	
DATASET FILE NAME	N41294BB/09		
UNLESS OTHERWISE SPECIFIED, DIMENSIONAL TOLERANCES ARE: IN [mm]		MATERIAL: SEE NOTES	
.X ± .XX ±		.XXX ± ANGLES ±	
THIRD ANGLE PROJECTION		DRAWING NUMBER: <b>A41294</b>	
DRAWN BY	DATE	CHK	SCALE
DW		RLS	NONE
DESCRIPTION		SHT 1 OF 1	
REV	DATE	BY	CHK
09	01/15	TMR	TMR
08	06/14	MBY	JHNU
APR	DESCRIPTION		ECN
			A

D10100DA/16