



Chipsmall Limited consists of a professional team with an average of over 10 year of expertise in the distribution of electronic components. Based in Hongkong, we have already established firm and mutual-benefit business relationships with customers from,Europe,America and south Asia,supplying obsolete and hard-to-find components to meet their specific needs.

With the principle of “Quality Parts,Customers Priority,Honest Operation,and Considerate Service”,our business mainly focus on the distribution of electronic components. Line cards we deal with include Microchip,ALPS,ROHM,Xilinx,Pulse,ON,Everlight and Freescale. Main products comprise IC,Modules,Potentiometer,IC Socket,Relay,Connector.Our parts cover such applications as commercial,industrial, and automotives areas.

We are looking forward to setting up business relationship with you and hope to provide you with the best service and solution. Let us make a better world for our industry!



Contact us

Tel: +86-755-8981 8866 Fax: +86-755-8427 6832

Email & Skype: info@chipsmall.com Web: www.chipsmall.com

Address: A1208, Overseas Decoration Building, #122 Zhenhua RD., Futian, Shenzhen, China

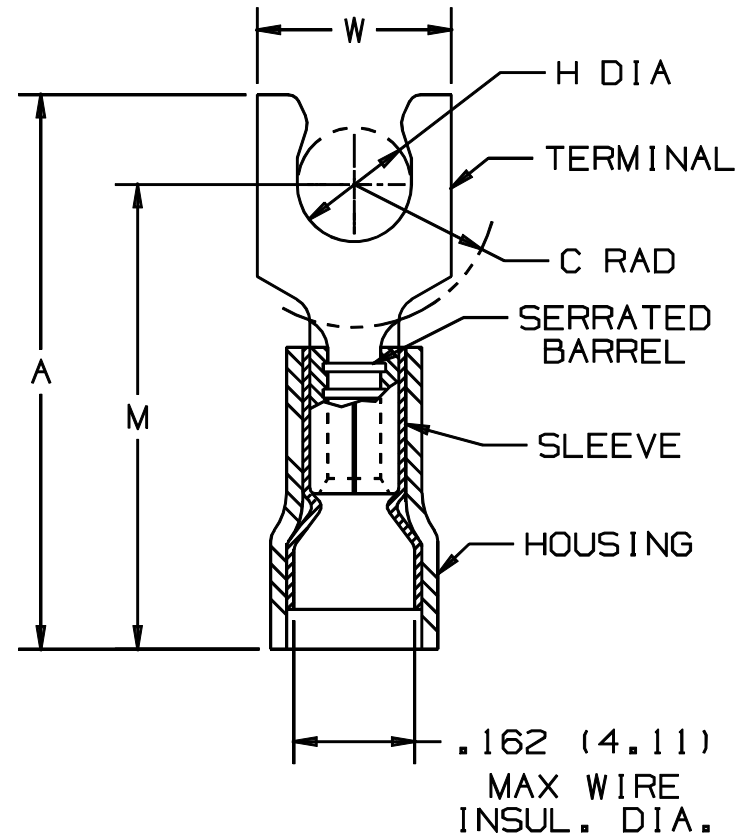


THIS COPY IS PROVIDED ON A RESTRICTED BASIS AND IS NOT TO BE USED IN ANY WAY DETRIMENTAL TO THE INTERESTS OF PANDUIT CORP.

PANDUIT PART NUMBER	STUD SIZE	DIMENSIONS in.				
		A $\pm .03$	W $\pm .01$	C $\pm .02$	M $\pm .03$	H $\pm .01$
PNF14-5SLF	#5	.75 (19.05)	.25 (6.35)	.19 (4.83)	.64 (16.26)	.12 (3.05)
PNF14-6SLF	#6	.75 (19.05)	.25 (6.35)	.19 (4.83)	.64 (16.26)	.14 (3.56)
PNF14-8SLF	#8	.82 (20.83)	.29 (7.37)	.23 (5.84)	.68 (17.27)	.16 (4.06)
PNF14-10SLF	#10	.81 (20.57)	.33 (8.38)	.23 (5.84)	.68 (17.27)	.19 (4.83)
PNF14-14SLF	1/4"	.91 (23.11)	.44 (11.18)	.28 (7.11)	.74 (18.80)	.25 (6.35)

NOTES:

- UL LISTED AND CSA CERTIFIED FOR:
 - 600V. MAX. VOLTAGE RATING
 - #16-14AWG STRANDED COPPER WIRE ONLY
 - 221° F (105° C) MAX. TEMP. RATING
- MATERIAL:
 - STAMPING - .03" (.8) THK COPPER, TIN PLATED
 - HOUSING - NYLON, BLUE
 - SLEEVE - BRASS, TIN PLATED
- PACKAGE QTY: STD. PKG. -C = 100
BULK PKG. -M = 1000
- DIMENSIONS IN BRACKETS ARE IN MILLIMETERS
- INSTALLATION TOOLS:
 - UL LISTED AND CSA CERTIFIED: CT-510
 - PANDUIT APPROVED: CT-400, CT-460, CT-500, CT-550, CT-1550, CT-1551
- WIRE STRIP LENGTH: 7/32 +1/32 -0



LISTED
587H
E52164



CERTIFIED
LR31212

A41252_03

								PANDUIT CORP. TINLEY PARK, ILLINOIS	
03	2/98	TM		UPDATED DIMENSIONS					
02	11/96	BK	RLS	REDRAWN WITH REVISIONS				LA	DH
REV	DATE	BY	CHK	DESCRIPTION				ECN #	CUST PM
								DRAWN BY DAW	CHK'D GKD
							SCALE	NONE	DRAWING NO. A41252

PANDUIT

CORP.

TINLEY PARK, ILLINOIS

#16-14 BARREL FUNNELED ENTRY NYLON
INSULATED SHORT LOCKING FORK,
.162 (4.11) MAX WIRE INSUL. DIA.

DRAWN BY
DAW

CHK'D
GKD

SCALE

NONE

DRAWING NO.

A41252