



Chipsmall Limited consists of a professional team with an average of over 10 year of expertise in the distribution of electronic components. Based in Hongkong, we have already established firm and mutual-benefit business relationships with customers from,Europe,America and south Asia,supplying obsolete and hard-to-find components to meet their specific needs.

With the principle of "Quality Parts,Customers Priority,Honest Operation,and Considerate Service",our business mainly focus on the distribution of electronic components. Line cards we deal with include Microchip,ALPS,ROHM,Xilinx,Pulse,ON,Everlight and Freescale. Main products comprise IC,Modules,Potentiometer,IC Socket,Relay,Connector.Our parts cover such applications as commercial,industrial, and automotives areas.

We are looking forward to setting up business relationship with you and hope to provide you with the best service and solution. Let us make a better world for our industry!



Contact us

Tel: +86-755-8981 8866 Fax: +86-755-8427 6832

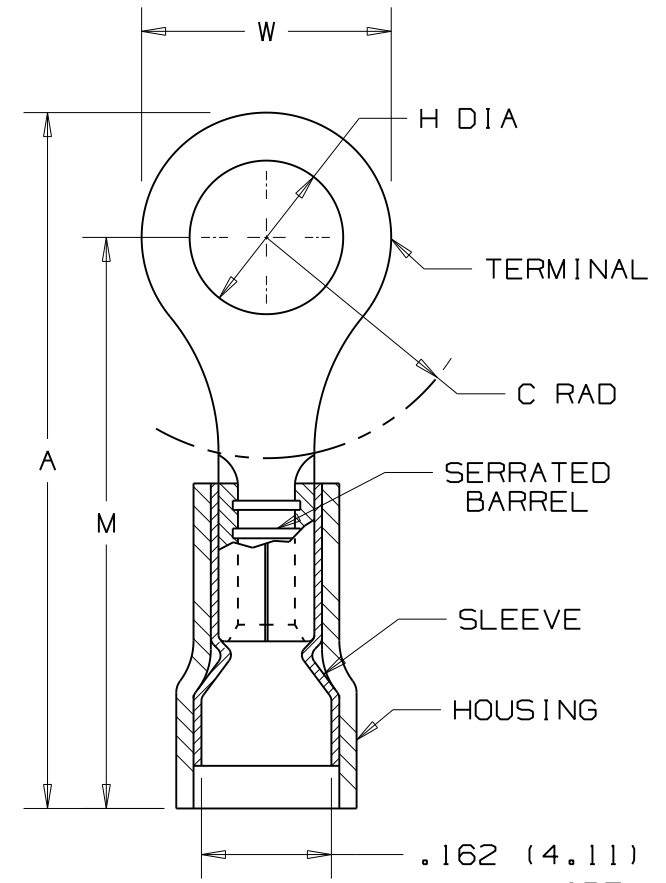
Email & Skype: info@chipsmall.com Web: www.chipsmall.com

Address: A1208, Overseas Decoration Building, #122 Zhenhua RD., Futian, Shenzhen, China



THIS COPY IS PROVIDED ON A RESTRICTED BASIS AND IS NOT TO BE USED IN ANY WAY DETRIMENTAL TO THE INTERESTS OF PANDUIT CORP.

PANDUIT PART NUMBER	MILITARY PART NO. AND CLASS	STUD SIZE	DIMENSIONS in.				
			A $\pm .03$ (.76)	W $\pm .01$ (.25)	C MIN	M $\pm .03$ (.76)	H $\pm .01$ (.25)
PNF14-4R	MS25036-152 CLASS 1 & 2	#4	.76 (19.41)	.25 (6.35)	.20 (5.05)	.64 (16.23)	.12 (3.00)
PNF14-6RN	MS25036-106 CLASS 1 & 2	#6	.76 (19.41)	.25 (6.35)	.20 (5.05)	.64 (16.23)	.15 (3.73)
PNF14-6R	MS25036-107 CLASS 1 & 2	#6	.86 (21.72)	.31 (7.92)	.26 (6.50)	.70 (17.75)	.15 (3.73)
PNF14-8R	MS25036-153 CLASS 1 & 2	#8	.86 (21.72)	.31 (7.92)	.26 (6.50)	.70 (17.75)	.17 (4.39)
PNF14-10R	MS25036-108 CLASS 1 & 2	#10	.86 (21.72)	.31 (7.92)	.26 (6.50)	.70 (17.75)	.20 (5.03)
PNF14-14R	MS25036-154 CLASS 1 & 2	1/4"	1.06 (26.82)	.46 (11.56)	.38 (9.70)	.83 (21.06)	.27 (6.81)
PNF14-56R	MS25036-109 CLASS 1 & 2	5/16"	1.06 (26.82)	.46 (11.73)	.38 (9.70)	.83 (21.06)	.33 (8.41)
PNF14-38R	MS25036-110 CLASS 1 & 2	3/8"	1.14 (29.06)	.53 (13.46)	.43 (10.95)	.88 (22.33)	.39 (9.98)



NOTES:

- UL LISTED AND CSA CERTIFIED FOR:
 - 600V. MAX. BLDG. WIRE (1000V. MAX. IN SIGNS, FIXTURES & LUMINARIES)
 - 221°F. (105°C) MAX. TEMP. RATING
 - #18-14 AWG SOLID OR STRANDED COPPER WIRE
 - UL LISTED WITH INSTALLATION TOOLS, CT-1550, CT-1551 & CT-2500 WITH CT2550CH CRIMP HEAD
 - MIL CLASS 2 WITH INSTALLATION TOOL CT-400
 - #16-14 AWG SOLID OR STRANDED COPPER WIRE, UL LISTED WITH CT-100A INSTALLATION TOOL
- MATERIAL:
 - STAMPING- .032" (.81) THK. COPPER, TIN PLATED
 - HOUSING- NYLON, BLUE
 - SLEEVE- BRASS, TIN PLATED
- WIRE STRIP LENGTH- 7/32" +1/32, -0 (5.6, +.8, -0)
- SEE www.panduit.com FOR PART NUMBER SUFFIX DESIGNATION FOR PACKAGE SIZE.
- DIMENSIONS IN PARENTHESIS ARE IN MILLIMETERS



LISTED
587H
E52164



CERTIFIED
LR31212

.162 (4.11)
MAX. WIRE
INSUL. DIA.
.087 (2.21)
MIN. WIRE
INSUL. DIA.

N41276BA/06

				PANDUIT CORP. TINLEY PARK, ILLINOIS	
				#16-14 BARREL NYLON INSULATED, FUNNELED WIRE ENTRY RING TONGUE, .162 (4.11) MAX. WIRE INSULATION DIAMETER	
06	12/16/11	FS	Obsolete installation tools removed, UL information clarified, general dimensional updates.6	CUST	ECN
REV	DATE	BY	DESCRIPTION	DAW	RLS
			SCALE	DRAWING NO.	
			NONE	A41276	