



Chipsmall Limited consists of a professional team with an average of over 10 year of expertise in the distribution of electronic components. Based in Hongkong, we have already established firm and mutual-benefit business relationships with customers from,Europe,America and south Asia,supplying obsolete and hard-to-find components to meet their specific needs.

With the principle of “Quality Parts,Customers Priority,Honest Operation,and Considerate Service”,our business mainly focus on the distribution of electronic components. Line cards we deal with include Microchip,ALPS,ROHM,Xilinx,Pulse,ON,Everlight and Freescale. Main products comprise IC,Modules,Potentiometer,IC Socket,Relay,Connector.Our parts cover such applications as commercial,industrial, and automotives areas.

We are looking forward to setting up business relationship with you and hope to provide you with the best service and solution. Let us make a better world for our industry!



Contact us

Tel: +86-755-8981 8866 Fax: +86-755-8427 6832

Email & Skype: info@chipsmall.com Web: www.chipsmall.com

Address: A1208, Overseas Decoration Building, #122 Zhenhua RD., Futian, Shenzhen, China



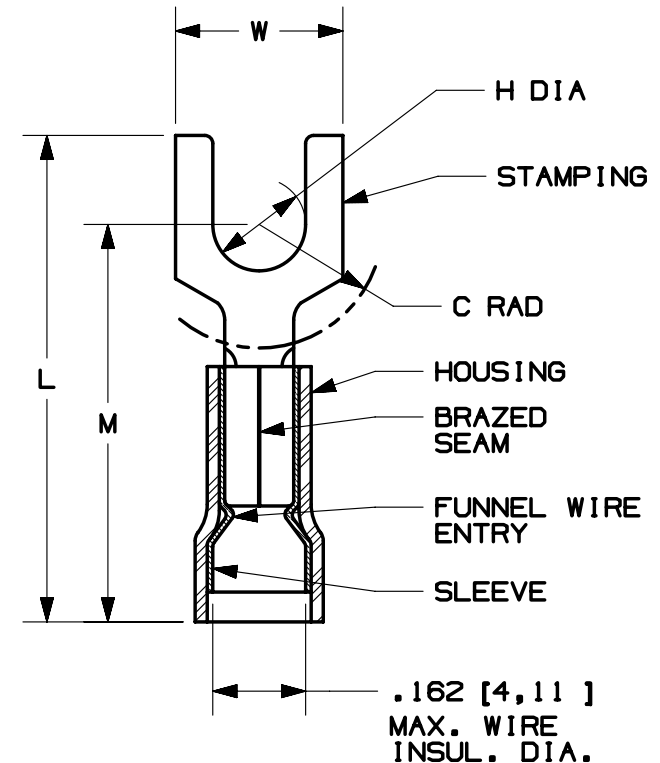
THIS COPY IS PROVIDED ON A RESTRICTED BASIS AND IS NOT TO BE USED IN ANY WAY DETRIMENTAL TO THE INTERESTS OF PANDUIT CORP.

PANDUIT PART #	STUD SIZE		DIMENSIONS in. [mm]				
	ENGLISH	METRIC	L ± .03 [0,51]	W ± .01 [0,25]	C ± .02 [0,38]	M ± .03 [0,51]	H ± .01 [0,25]
PMNF2-3F*	--	M3	.78 [19,81]	.23 [5,89]	.20 [5,05]	.64 [16,26]	.13 [3,30]
PNF14-6F	#6	M3,5	.80 [20,32]	.28 [7,11]	.22 [5,59]	.66 [16,76]	.15 [3,81]
PNF14-8F	#8	M4	.85 [21,59]	.31 [7,87]	.25 [6,35]	.69 [17,52]	.17 [4,32]
PNF14-10F	#10	--	.87 [22,10]	.34 [8,64]	.26 [6,60]	.71 [18,03]	.20 [5,08]
PMNF2-5F*	--	M5	.86 [21,85]	.34 [8,58]	.25 [6,35]	.70 [17,78]	.21 [5,33]
PNF14-14F	1/4"	M6	1.05 [26,67]	.44 [11,18]	.35 [8,89]	.80 [20,32]	.27 [6,86]

* NOT UL LISTED OR CSA CERTIFIED

NOTES:

- USED FOR:
 - A. 16-14 AWG [1,5-2,5 mm²] STRANDED COPPER WIRE
 - B. 221°F [105°C] MAX. OPERATING TEMPERATURE
 - C. 600V. MAX. BLDG WIRE (1000 V. MAX. IN SIGNS, FIXTURES & LUMINAIRES)
- INSTALLATION TOOLS PANDUIT APPROVED:
 - A. UL APPROVED: CT-100A, CT-400, CT-460, CT-600-A (CT-550CH) CT-1550, CT-1551, CT-2500(CT-2550CH)
 - B. PANDUIT APPROVED: CT-160, CT-260
- WIRE STRIP LENGTH: 5/16 ±.002 [7,9 ±.008]
- MATERIAL:
 - A. STAMPING: .032" [0,8] THK COPPER, TIN PLATED
 - B. HOUSING: NYLON, BLUE
 - C. SLEEVE: BRASS, TIN PLATED
- SEE www.panduit.com FOR PACKAGE QUANTITIES INDICATED BY PART NUMBER SUFFIX
- DIMENSIONS IN BRACKETS ARE METRIC EQUIVALENT



LISTED
587H
E52164



CERTIFIED
LR31212

.080 [2,03]
MIN. WIRE
INSUL. DIA.

TITLE
**#16-14 BARREL FORK, NYLON INSULATED
FUNNELED WIRE ENTRY, .162 (4,11) MAX WIRE INSUL DIA.**
CUSTOMER DRAWING

ITEM REVISION NAME N41261AA/08		PANDUIT TM
DATASET FILE NAME N41261AA_DC/08A		
UNLESS OTHERWISE SPECIFIED, DIMENSIONAL TOLERANCES ARE: IN [mm] .x ± .1 [2.54] .xxx ± .005 [0.127] .xx ± .01 [0.25] ANGLES ± 5°		MATERIAL: SEE NOTES
THIRD ANGLE PROJECTION		DRAWING NUMBER: N41261AA-DC
DRAWN BY DAW	DATE -	CHK CJH
SCALE N.T.S.		SHEET 1 OF 1

REV	DATE	BY	CHK	APR	DESCRIPTION	ECN
08	11.26.13	JHNU	TMR	RGB	INDICATED PART NUMBERS WHICH ARE NOT UL LISTED/CSA CERTIFIED	N41261AA-DC
07	07.09.12	BDK	LCA	VMB	ADDED PMNF2-3F AND PMNF2-5F. ADDED METRIC EQUIVALENT. CHANGE PACKAGING NOTE. REVISED INSTALLATION TOOLS NOTE. BROUGHT DRAWING TO CURRENT STANDARDS.	N41261AA-DC

D101000A/12