



Chipsmall Limited consists of a professional team with an average of over 10 year of expertise in the distribution of electronic components. Based in Hongkong, we have already established firm and mutual-benefit business relationships with customers from,Europe,America and south Asia,supplying obsolete and hard-to-find components to meet their specific needs.

With the principle of "Quality Parts,Customers Priority,Honest Operation,and Considerate Service",our business mainly focus on the distribution of electronic components. Line cards we deal with include Microchip,ALPS,ROHM,Xilinx,Pulse,ON,Everlight and Freescale. Main products comprise IC,Modules,Potentiometer,IC Socket,Relay,Connector.Our parts cover such applications as commercial,industrial, and automotives areas.

We are looking forward to setting up business relationship with you and hope to provide you with the best service and solution. Let us make a better world for our industry!



Contact us

Tel: +86-755-8981 8866 Fax: +86-755-8427 6832

Email & Skype: info@chipsmall.com Web: www.chipsmall.com

Address: A1208, Overseas Decoration Building, #122 Zhenhua RD., Futian, Shenzhen, China

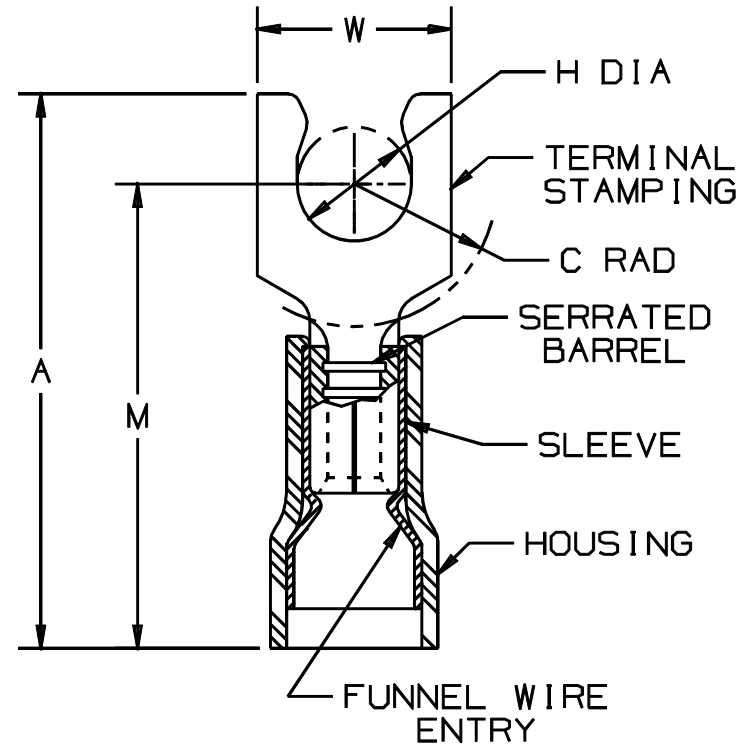


THIS COPY IS PROVIDED ON A RESTRICTED BASIS AND IS NOT TO BE USED IN ANY WAY DETRIMENTAL TO THE INTERESTS OF PANDUIT CORP.

PART NUMBER		STUD SIZE	DIMENSIONS in.				
PREFIX	PK		A $\pm .03$ (.8)	W $\pm .01$ (.3)	C $\pm .015$ (.4)	M $\pm .03$ (.8)	H $\pm .010$ (.25)
PNF18-5SLF	-M	#5	.75 (19.0)	.26 (6.6)	.19 (4.7)	.63 (16.1)	.124 (3.15)
PNF18-6SLF	-M	#6	.75 (19.0)	.27 (6.9)	.19 (4.7)	.63 (16.1)	.136 (3.45)
PNF18-8SLF	-M	#8	.80 (20.4)	.29 (7.4)	.23 (5.8)	.68 (17.2)	.162 (4.11)
PNF18-10SLF	-M	#10	.81 (20.7)	.33 (8.3)	.23 (5.8)	.68 (17.2)	.188 (4.78)

NOTES:

- USED FOR:
 - 600V MAX VOLTAGE RATING
(1000V. MAX. IN SIGNS, FIXTURES & LUMINARIES)
 - 221°F (105°C) MAX TEMP RATING
 - 22-18 AWG STRANDED COPPER WIRE
- INSTALLATION TOOLS:
 - UL LISTED AND CSA CERTIFIED FOR: CT-510
 - PANDUIT APPROVED: CT-400, CT-500, CT-1550 & CT-1551.
- WIRE STRIP LENGTH: $7/32^{+1/32}$ ($5.6^{+.8}$)
 -0
- MAX WIRE INSULATION DIA: .145 (3.68)
MIN WIRE INSULATION DIA: .080 (2.03)
- MATERIAL:
 - STAMPING: .03 (.8) TIN PLATED COPPER
 - HOUSING : RED NYLON
 - SLEEVE : TIN PLATED BRASS
- PACKAGING:
 - BULK ONLY: -M = 1000
- DIMENSIONS IN BRACKETS ARE IN MILLIMETERS OR mm²




LISTED
587H
E52164



CERTIFIED
LR31212

A41251_05

05	1/01	KMD		CAD FILE SPEC. WAS N41251AA_PCD_04				 TINLEY PARK, ILLINOIS #22-18 BARREL FUNNELED ENTRY NYLON INSULATED SHORT LOCKING FORK, .145 (3.68) MAX WIRE INSUL. DIA.
04	12/96	JAMB		UPDATED & ADDED TO NOTES, "MIN. WIRE INSUL. DIA."				
03	9/95	MS	RLS	UPDATED NOTES AND DIMENSIONS	05383			
02	6/92	BK	RS	UPDATED	01064	JMO	LA	
REV	DATE	BY	CHK	DESCRIPTION	ECN	PM	APP	DRAWN BY: DAW Ck'd: RLS SCALE: NONE DRAWING NO.: A41251