



Chipsmall Limited consists of a professional team with an average of over 10 year of expertise in the distribution of electronic components. Based in Hongkong, we have already established firm and mutual-benefit business relationships with customers from,Europe,America and south Asia,supplying obsolete and hard-to-find components to meet their specific needs.

With the principle of “Quality Parts,Customers Priority,Honest Operation,and Considerate Service”,our business mainly focus on the distribution of electronic components. Line cards we deal with include Microchip,ALPS,ROHM,Xilinx,Pulse,ON,Everlight and Freescale. Main products comprise IC,Modules,Potentiometer,IC Socket,Relay,Connector.Our parts cover such applications as commercial,industrial, and automotives areas.

We are looking forward to setting up business relationship with you and hope to provide you with the best service and solution. Let us make a better world for our industry!



Contact us

Tel: +86-755-8981 8866 Fax: +86-755-8427 6832

Email & Skype: info@chipsmall.com Web: www.chipsmall.com

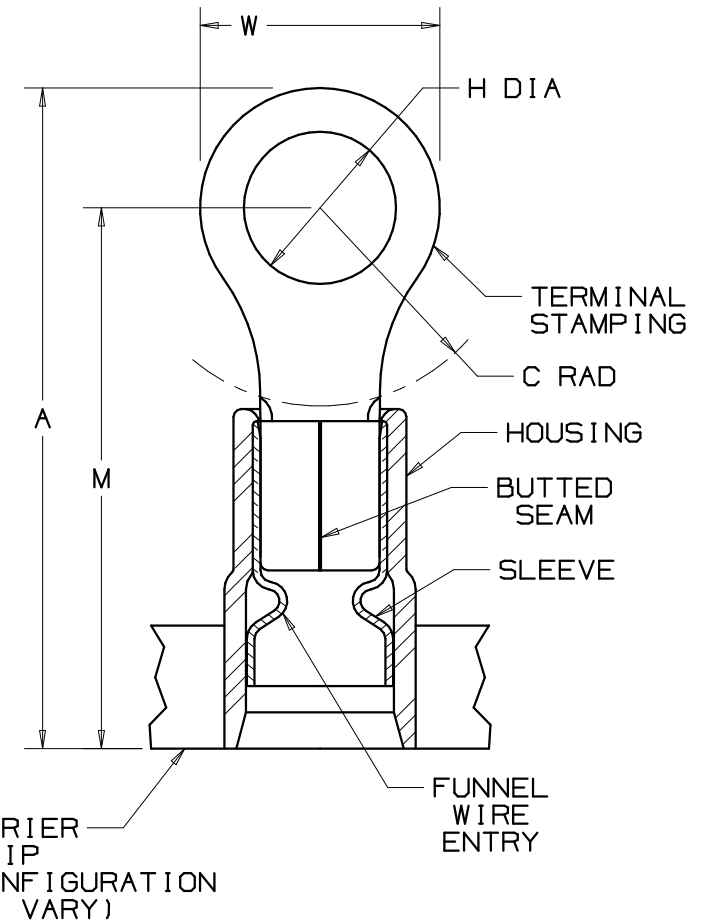
Address: A1208, Overseas Decoration Building, #122 Zhenhua RD., Futian, Shenzhen, China



PANDUIT PART NUMBER	PK	MILITARY PART NO. AND CLASS	STUD SIZE	DIMENSIONS in.				
				A ^{±.03} _(.8)	C ^{±.015} _(.4)	H ^{±.01} _(.3)	M ^{±.03} _(.8)	W ^{±.01} _(.3)
PNF18-4R	-3K	-----	#4	.78 (19.8)	.21 (5.3)	.12 (3.1)	.65 (16.5)	.25 (6.4)
PNF18-4RN	-3K	MS25036-148 CLASS 2	#4	.74 (18.8)	.19 (4.8)	.12 (3.1)	.63 (16.0)	.22 (5.6)
PNF18-6R	-3K	MS25036-102 CLASS 2	#6	.78 (19.8)	.21 (5.3)	.15 (3.8)	.65 (16.5)	.25 (6.4)
PNF18-6RN	-3K	MS25036-101 CLASS 2	#6	.74 (18.8)	.16 (4.0)	.15 (3.8)	.63 (16.0)	.22 (5.6)
PNF18-8R	-3K	MS25036-149 CLASS 2	#8	.86 (21.8)	.25 (6.4)	.17 (4.3)	.70 (17.8)	.31 (7.9)
PNF18-10R	-3K	MS25036-103 CLASS 2	#10	.86 (21.8)	.25 (6.4)	.20 (5.1)	.70 (17.8)	.31 (7.9)
PNF18-14R	-3K	MS25036-150 CLASS 2	1/4"	1.06 (26.9)	.38 (9.7)	.27 (6.9)	.84 (21.3)	.46 (11.7)

NOTES:

- UL LISTED AND CSA CERTIFIED FOR:
 - 600V. MAX. VOLTAGE RATING
 - 221°F. (105°C) MAX. TEMP. RATING
 - #22-18 (0.5-1.5mm² AWG SOLID OR STRANDED COPPER WIRE
- MATERIAL:
 - STAMPING- .03" (.8) THK. COPPER, TIN PLATED
 - HOUSING- NYLON, RED
 - SLEEVE- BRASS, TIN PLATED
- WIRE STRIP LENGTH- 1/4" +1/32, -0 (6.4, +.8, -0)
 - MAX WIRE INSULATION DIAMETER: .145 (3.68)
 - MIN. WIRE INSULATION DIAMETER: .090 (2.29)
- PACKAGE QUANTITY: 3K = 3000 PCS.
- DIMENSIONS IN PARENTHESIS ARE IN MILLIMETERS
- INSTALLATION TOOLS:
 - PRESSES - CP-851, CP-860, CP-861, CP-871
 - APPLICATOR - CA-800, CA9
 - DIE INSERTS - CD-800-1, CD9-1A,B



LISTED
587H
E52164



CERTIFIED
LR31212

A41145_07

Panduit part numbers shown on this drawing meet the material requirements of RoHS (EUROPEAN DIRECTIVES 2002/95/EC) as proposed by the Technical Adaptation Committee

07	8/06	DAW	DAW	ADDED MILITARY PART NO. & CLASS	TRO0155	LCA	TRO	<p>TINLEY PARK, ILLINOIS</p> <p>REELSMART™ TERMO™ 3PC CONTINUOUSLY MOLDED NYLON INSULATED FUNNEL ENTRY 22-18 BARREL RINGS</p>				
06	12/00	ED	SKE	FILESPEC WAS: N41145AA_PCD_05	08925	CCH	JAC					
05	12/96	JAM	ME	ADDED NOTE, "MIN. WIRE INSULATION DIA."	05401							
REV	DATE	BY	CHK	DESCRIPTION	ECN	CUST	PM					
					DRAWN BY	FES	CHK'D	FS	SCALE	NONE	DRAWING NO	A41145