



Chipsmall Limited consists of a professional team with an average of over 10 year of expertise in the distribution of electronic components. Based in Hongkong, we have already established firm and mutual-benefit business relationships with customers from,Europe,America and south Asia,supplying obsolete and hard-to-find components to meet their specific needs.

With the principle of "Quality Parts,Customers Priority,Honest Operation,and Considerate Service",our business mainly focus on the distribution of electronic components. Line cards we deal with include Microchip,ALPS,ROHM,Xilinx,Pulse,ON,Everlight and Freescale. Main products comprise IC,Modules,Potentiometer,IC Socket,Relay,Connector.Our parts cover such applications as commercial,industrial, and automotives areas.

We are looking forward to setting up business relationship with you and hope to provide you with the best service and solution. Let us make a better world for our industry!



Contact us

Tel: +86-755-8981 8866 Fax: +86-755-8427 6832

Email & Skype: info@chipsmall.com Web: www.chipsmall.com

Address: A1208, Overseas Decoration Building, #122 Zhenhua RD., Futian, Shenzhen, China

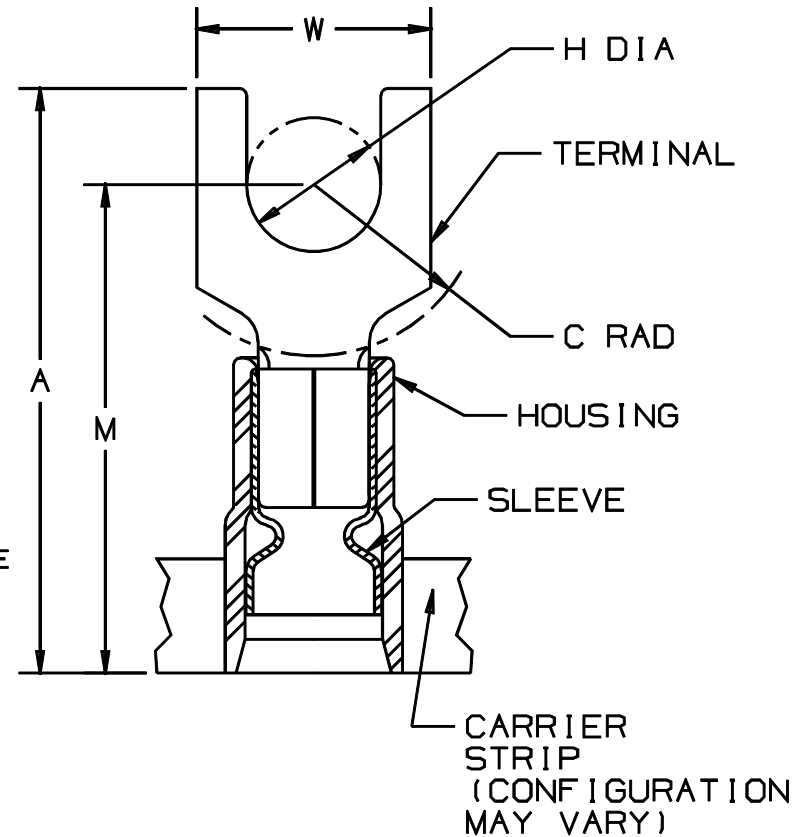


THIS COPY IS PROVIDED ON A RESTRICTED BASIS AND IS NOT TO BE USED IN ANY WAY DETRIMENTAL TO THE INTERESTS OF PANDUIT CORP.

PANDUIT PART NUMBER	STUD SIZE	DIMENSIONS in.				
		A ±.03	W ±.01	C ±.02	M ±.03	H ±.01
PNF18-6FN-3K	#6	.77 (19.6)	.24 (6.1)	.19 (4.8)	.64 (16.3)	.14 (3.6)
PNF18-6F-3K	#6	.78 (19.8)	.30 (7.6)	.19 (4.8)	.64 (16.3)	.14 (3.6)
PNF18-8F-3K	#8	.83 (21.1)	.32 (8.1)	.22 (5.6)	.67 (17.0)	.17 (4.3)
PNF18-10FN-3K	#10	.85 (21.6)	.31 (7.9)	.24 (6.1)	.69 (17.5)	.20 (5.1)
PNF18-10F-3K	#10	.85 (21.6)	.35 (8.9)	.24 (6.1)	.69 (17.5)	.20 (5.1)
PNF18-14F-3K	#14	1.02 (25.9)	.44 (11.2)	.33 (8.4)	.78 (19.8)	.27 (6.9)

NOTES:

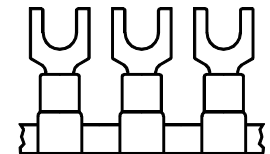
- USED FOR:
 - A. 600V MAX VOLTAGE RATING
 - B. 221°F (105°C) MAX TEMP RATING
 - C. 22-18 AWG (.5-1.5mm²) SOLID OR STRANDED COPPER WIRE
- INSTALLATION TOOLS:
 - A. PRESSES - CP-851, CP-860, CP-861
 - B. APPLICATOR - CA-800
 - C. DIE INSERTS - CD-800-1
- WIRE STRIP LENGTH: 1/4 ^{+1/32}/₀ (6.4 ^{±.8})
- MAX WIRE INSULATION DIA: .145 (3.68)
MIN WIRE INSULATION DIA: .090 (2.29)
- MATERIAL:
 - A. TERMINAL STAMPING: .032 (.81) THICK TIN PLATED COPPER
 - B. HOUSING : RED NYLON
 - C. SLEEVE : TIN PLATED BRASS
- PACKAGING:
 - A. BULK ONLY: -3K = 3000 PCS ON CONTINUOUS MOLDED CARRIER STRIP
- DIMENSIONS IN BRACKETS ARE IN MILLIMETERS OR mm²



LISTED
587H
E52164



CERTIFIED
LR31212



A41141_04

04	12/00	ED		FILESPEC WAS: N41141AA_PCD_03	08925			PANDUIT CORP. TINLEY PARK, ILLINOIS
03	1/97	JAMB		ADDED NOTE, "MIN WIRE INSULATION DIA."	05400			
02	10/95	BK	RLS	UPDATED DRAWING	03624	LA	KRS	TERMO 3PC, CONTINUOUSLY MOLDED NYLON (FUNNEL) INSULATED, 22-18 BARREL, FORKS
1	3/88	GM	RLS	REDRAWN WITH REVISIONS		LA	KS	
REV	DATE	BY	CHK	DESCRIPTION	ECN	CUST	PM	DRAWN BY GRM Ck'D LA SCALE NONE DRAWING NO. A41141