



Chipsmall Limited consists of a professional team with an average of over 10 year of expertise in the distribution of electronic components. Based in Hongkong, we have already established firm and mutual-benefit business relationships with customers from,Europe,America and south Asia,supplying obsolete and hard-to-find components to meet their specific needs.

With the principle of “Quality Parts,Customers Priority,Honest Operation,and Considerate Service”,our business mainly focus on the distribution of electronic components. Line cards we deal with include Microchip,ALPS,ROHM,Xilinx,Pulse,ON,Everlight and Freescale. Main products comprise IC,Modules,Potentiometer,IC Socket,Relay,Connector.Our parts cover such applications as commercial,industrial, and automotives areas.

We are looking forward to setting up business relationship with you and hope to provide you with the best service and solution. Let us make a better world for our industry!



Contact us

Tel: +86-755-8981 8866 Fax: +86-755-8427 6832

Email & Skype: info@chipsmall.com Web: www.chipsmall.com

Address: A1208, Overseas Decoration Building, #122 Zhenhua RD., Futian, Shenzhen, China

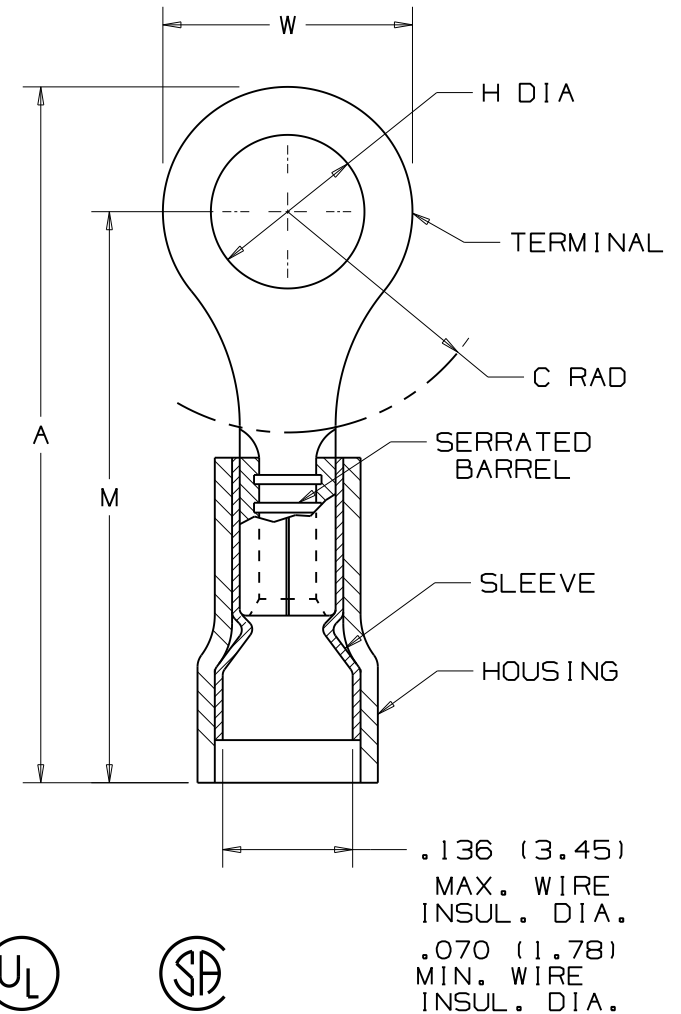


PANDUIT PART NUMBER	MILITARY PART NO. AND CLASS	STUD SIZE	DIMENSIONS in.				
			A ^{±.03} (.76)	W ^{±.01} (.25)	C MIN	M ^{±.03} (.76)	H ^{±.01} (.25)
PNF 18-4R	-----	#4	.77 (19.63)	.25 (6.35)	.21 (5.21)	.65 (16.48)	.12 (3.00)
**PNF 18-4RN	MS25036-148 CLASS 1 & 2	#4	.74 (18.85)	.22 (5.46)	.19 (4.72)	.63 (15.98)	.12 (3.00)
PNF 18-6R	MS25036-102 CLASS 1 & 2	#6	.77 (19.63)	.25 (6.35)	.21 (5.21)	.65 (16.48)	.15 (3.73)
PNF 18-6RN	MS25036-101 CLASS 1 & 2	#6	.74 (18.85)	.23 (5.72)	.19 (4.72)	.63 (15.98)	.15 (3.73)
PNF 18-8R	MS25036-149 CLASS 1 & 2	#8	.86 (21.72)	.31 (7.92)	.25 (6.43)	.70 (17.75)	.17 (4.39)
PNF 18-10R	MS25036-103 CLASS 1 & 2	#10	.86 (21.72)	.31 (7.92)	.25 (6.43)	.70 (17.75)	.20 (5.03)
PNF 18-14R	MS25036-150 CLASS 1 & 2	1/4"	1.06 (26.85)	.46 (11.56)	.38 (9.65)	.83 (21.06)	.27 (6.79)
PNF 18-56R	MS25036-104 CLASS 1 & 2	5/16"	1.06 (26.92)	.46 (11.73)	.38 (9.65)	.83 (21.06)	.33 (8.39)
PNF 18-38R	MS25036-105 CLASS 1 & 2	3/8"	1.14 (29.06)	.53 (13.46)	.43 (10.92)	.88 (22.33)	.39 (9.97)

NOTES:

- 1) UL LISTED AND CSA CERTIFIED FOR:
 - A. 600V. MAX. BLDG. WIRE (1000V. MAX. IN SIGNS, FIXTURES & LUMINARIES)
 - B. 221°F. (105°C) MAX. TEMP. RATING
 - C. SOLID AND STRANDED COPPER WIRE - #22-#16 WIRE RANGE
- 2) MATERIAL:
 - A. STAMPING- .032" (.81) THK. COPPER, TIN PLATED
 - B. HOUSING- NYLON, RED
 - C. SLEEVE- BRASS, TIN PLATED
- 3) WIRE STRIP LENGTH- 7/32" +1/32, -0 (5.6, +.8, -0)
- 4) SEE www.panduit.com FOR PART NUMBER SUFFIX DESIGNATION FOR PACKAGE SIZE.
- 5) DIMENSIONS IN PARENTHESIS ARE IN MILLIMETERS
- 6) INSTALLATION TOOLS:
 - A. UL LISTED AND CSA CERTIFIED: CT-100A*, CT-400 (UL, MIL CLASS 2), CT-1550, CT-1551, CT-2500 WITH CT-2550CH CRIMP HEAD

* FOR USE WITH #22-#18 AWG SOLID AND STRANDED WIRE RANGE
 ** NOT UL LISTED OR CSA CERTIFIED



LISTED 587H E52164
 CERTIFIED LR31212

.136 (3.45)
 MAX. WIRE
 INSUL. DIA.
 .070 (1.78)
 MIN. WIRE
 INSUL. DIA.

N41275BA/10

					PANDUIT CORP. TINLEY PARK, ILLINOIS	
10	12/16/11	FS	Obsolete installation tools removed, UL information clarified, general dimensional updates.		#22-18 BARREL NYLON INSULATED, FUNNELED WIRE ENTRY RING TONGUE, .136 (3.45) DIA. MAX. WIRE INSULATION DIAMETER	
09	5/11	SB	Added Note # 4			
REV	DATE	BY	DESCRIPTION	ECN #	CUST	DRAWN BY DAW CHK'D LM SCALE NONE DRAWING NO A41275