



Chipsmall Limited consists of a professional team with an average of over 10 year of expertise in the distribution of electronic components. Based in Hongkong, we have already established firm and mutual-benefit business relationships with customers from,Europe,America and south Asia,supplying obsolete and hard-to-find components to meet their specific needs.

With the principle of "Quality Parts,Customers Priority,Honest Operation,and Considerate Service",our business mainly focus on the distribution of electronic components. Line cards we deal with include Microchip,ALPS,ROHM,Xilinx,Pulse,ON,Everlight and Freescale. Main products comprise IC,Modules,Potentiometer,IC Socket,Relay,Connector.Our parts cover such applications as commercial,industrial, and automotives areas.

We are looking forward to setting up business relationship with you and hope to provide you with the best service and solution. Let us make a better world for our industry!



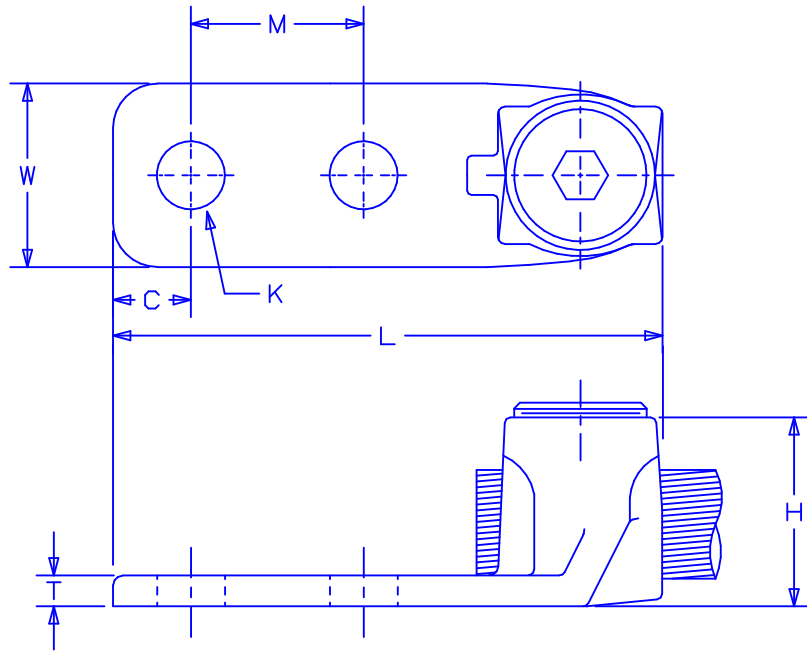
Contact us

Tel: +86-755-8981 8866 Fax: +86-755-8427 6832

Email & Skype: info@chipsmall.com Web: www.chipsmall.com

Address: A1208, Overseas Decoration Building, #122 Zhenhua RD., Futian, Shenzhen, China





NOTES:

1. UL LISTED.
2. FOR COPPER WIRE ONLY.
3. MADE IN THE USA.

CATALOG NUMBER	CONDUCTOR RANGE	WIRE DIAMETER RANGE	APPROXIMATE DIMENSIONS														WRENCH SIZE	TORQUE VALUE IN-LBS
			C		K		H		L		T		W		M			
			in	mm	in	mm	in	mm	in	mm	in	mm	in	mm	in	mm		
PNL-1/0-2-L	8 SOLID-1/0STR.	.128-.375	.44	11.1	.34	8.7	.84	21	2.75	70	.19	4.7	.75	19	1	25	1/4	200
PNL-250-2-Q	6 SOLID-250MCM	.162-.575	.44	11.1	.44	11.1	1.03	26	2.88	73	.22	5.5	.94	24	1	25	1/4	200
PNL-500-2-3	4 SOLID-500MCM	.204-.815	.44	11.1	.44	11.1	1.47	36	3.38	86	.31	7.9	1.38	35	1	25	3/8	375
PNL-1000-2-3	500MCM-1000MCM	.815-1.153	.56	14.2	.56	14.2	2.00	51	4.88	124	.38	9.5	1.75	44	1.50	38	3/8	375

C41175_03

03	3-05	JHNU		REVISED "M" DIMENSION FOR PNL-1000-2-3: 1.5 WAS 1.75, 38 WAS 44.															
02	3-01	RM		FILESPEC WAS N41175CA_PCD_01															
01	12/00	KMK	SKB	PNL-500-2-3 WAS PNL-500-2-E PNL-1000-2-3 WAS PNL-1000-2-6	08880	JAC/ SKB	RK												
00	10/96	TM	WJB	RELEASED	05219	LA	RJM												
REV	DATE	BY	CHK	DESCRIPTION	ECN #	CUST	PM	DRAWN BY	CHK'D	SCALE	DRAWING NO.								
								EJD	WJB	N/A	C41175								



CORP. TINLEY PARK, ILLINOIS

2 HOLE MOUNT CONE SCREW LUG TYPE PNL CUSTOMER DRAWING